

BULLET

standard features

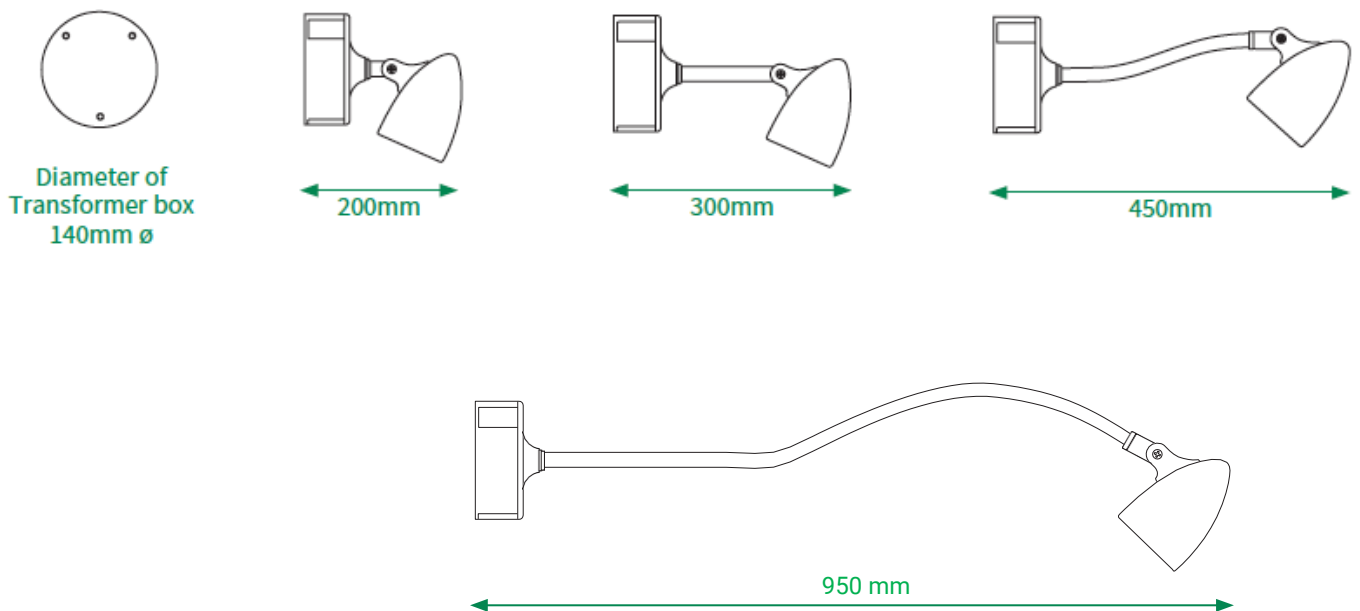
technical specification

Die-cast aluminium head and transformer casing. Steel projection arm. Screw on cap for easy lamp maintenance. Philips LED lamp 4,6W 4000K. Swivel head for directing light output. Sealed and rated to IP65. For both up or down lighting applications. Choice of 4 projections. Choice of 3 finishes - black, white or gold. Ex-stock, next-day delivery. (The manufacturer's reserve the right to alter specifications without prior notification.)



options

BS or RAL colours upon request. Non-standard projection brackets on request.



Price will include:

Black, white or gold polyester powder coat finish and LED lamp 4,6W 4000K. Cable glands and blanking gland. Contractors discount available upon request.

iO bvba
Kleine Markt 7-9 b.25
B-2000 Antwerpen

btw BE 0440.351.096
RPR Antwerpen
bank IBAN BE78 0682 0551 9886
BIC GKCCBEBB

tel. +32 475 487 657
email joan@io-sign.be

