



elements

We innovate.



Elements

Innovation must become a way of life if we want to stop depleting raw materials and wasting resources and start recycling materials.

This is why innovation is the driving force behind the creation of the Elements format.



670 Solid



Dual step, sit-stand height electrically adjustable

Height (mm)	min. 640 / max 1300
Stroke (mm)	660
Speed (mm/s)	39
Width Cabletop (mm)	1600 / 1800 / 2000
Depth Cabletop (mm)	800
Length of feet (mm)	750
Column size (mm)	100 x 60
Dynamic capacity (kg)	80
Noise dB (A)	< 55
Power	230 V / standby (W) 0,3
	50 Hz / max. 8A
Plug type	Replaceable
Gross Weight Leg Units (kg)	30
Gross Weight Cabletops (kg)	18 / 20 / 22

Solid Cabletop 1600

		Purchase code
Black	●	EL-S16-T-OXY50-BLK02-SPCEU
Silver	●	EL-S16-T-PLG50-SIL02-SPCEU
White	○	EL-S16-T-EDW50-WHI02-SPCEU

Solid Cabletop 1800

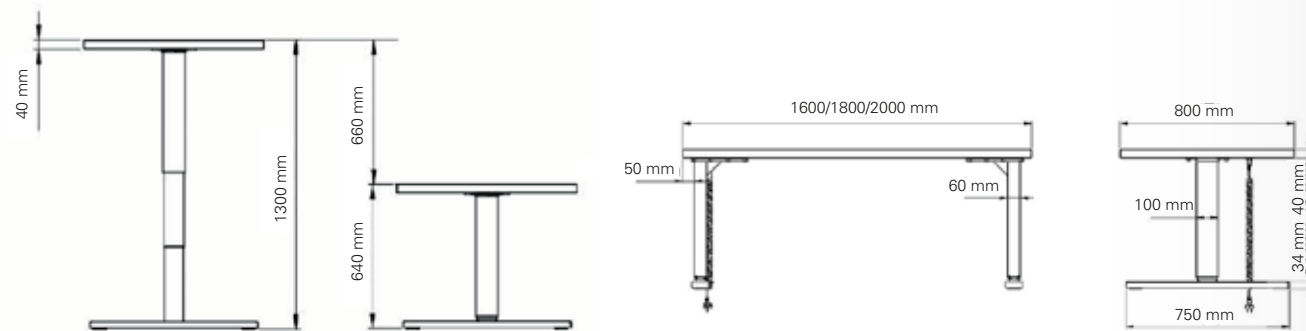
		Purchase code
Black	●	EL-S18-T-OXY50-BLK02-SPCEU
Silver	●	EL-S18-T-PLG50-SIL02-SPCEU
White	○	EL-S18-T-EDW50-WHI02-SPCEU

Solid Cabletop 2000

		Purchase code
Black	●	EL-S20-T-OXY50-BLK02-SPCEU
Silver	●	EL-S20-T-PLG50-SIL02-SPCEU
White	○	EL-S20-T-EDW50-WHI02-SPCEU

Solid Leg Units

		Purchase code
Black	●	EL-CTL-BSU-T-670-0000-EU-BLK00
Silver	●	EL-CTL-BSU-T-670-0000-EU-SIL00
White	○	EL-CTL-BSU-T-670-0000-EU-WHI00



270 Liquid



Dual step, sit-stand height electrically adjustable

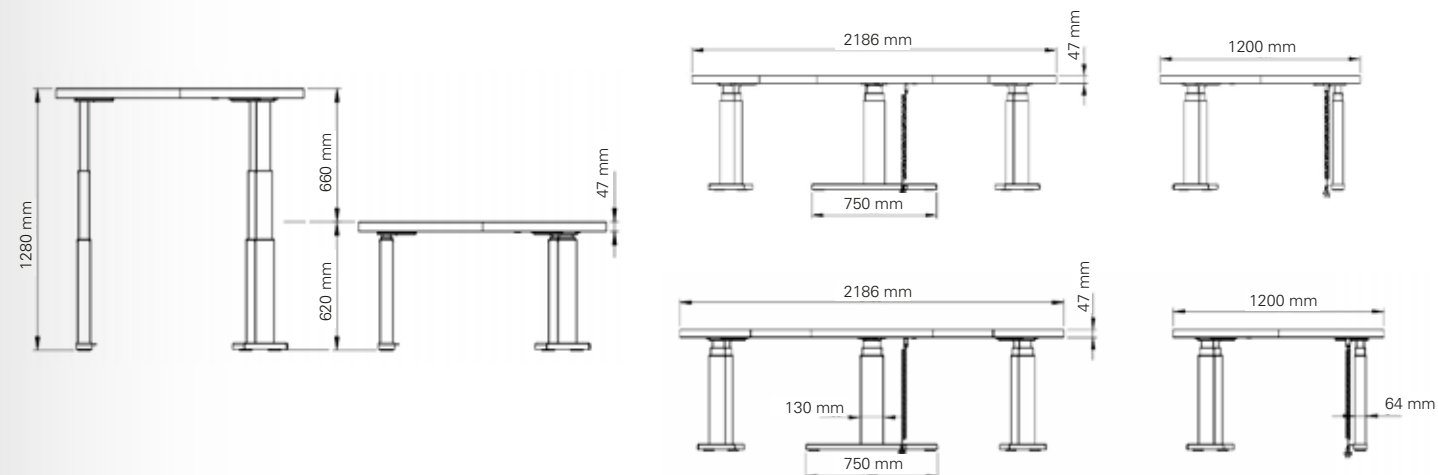
Height (mm)	min. 620 / max 1280
Stroke (mm)	660
Speed (mm/s)	39
Width Cabletop (mm)	2186
Depth Cabletop (mm)	1200
Length of feet (mm)	750
Column size (mm)	64 x 130
Dynamic capacity (kg)	150
Noise dB(A)	< 55
Power	230 V / standby (W) 0,3
	50 Hz / max. 8A
Plug type	Replaceable
Gross Weight Leg Units (kg)	45
Gross Weight Cabletop (kg)	31

Liquid Cabletop

		Purchase code
White	○	EL-LIQ-T-EDW50-WHI02-SPCEU

Liquid Leg Units

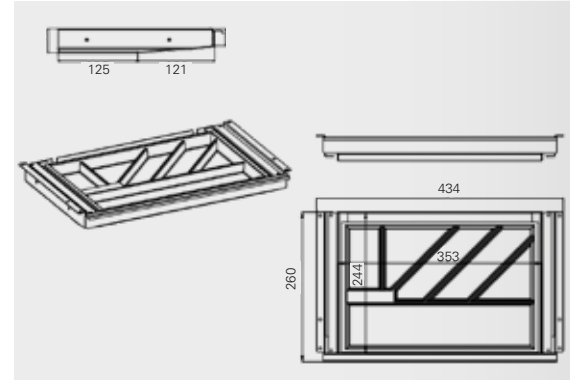
		Purchase code
White	○	EL-CTL-BLB-T-72-BOX1-EU-WHI00
		EL-CTL-BLB-T-72-BOX2-EU-WHI00





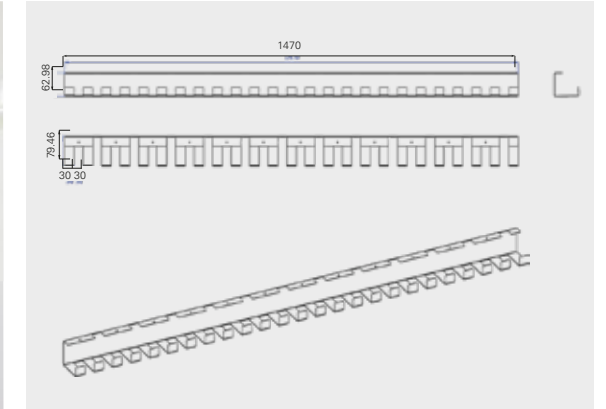
Elements Accessories

Stationery drawer SN



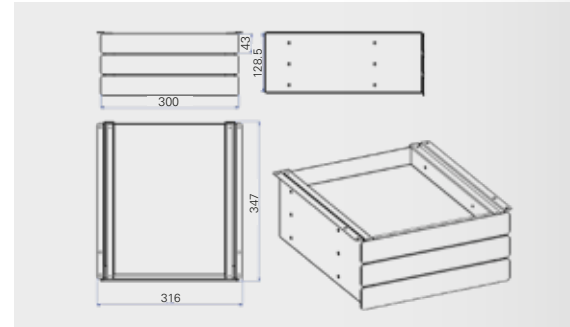
Surface colour	Purchase code	Dimensions
Black ●	EL-CTA-PA-SD004-11	Height (mm) 260
Silver ●	EL-CTA-PA-SD004-30	Width (mm) 434
White ○	EL-CTA-PA-SD004-29	

Cable tray flex



Surface colour	Purchase code	Dimensions
Black ●	EL-CTA-PA-CT0002-11	Height (mm) 62,98
White ○	EL-CTA-PA-CT0002-29	Width (mm) 1470

Stationery drawer system TRI



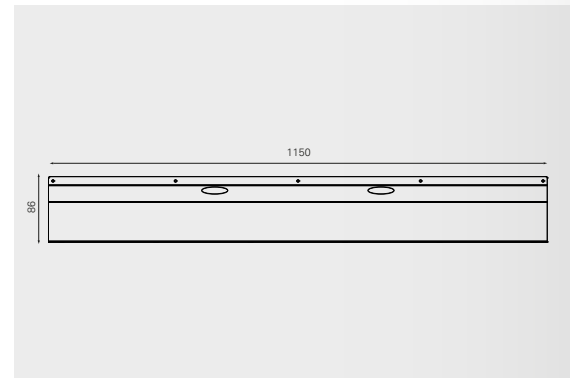
Surface colour	Purchase code	Dimensions
Black ●	EL-CTA-PA-SB001-11	Height (mm) 128,5
Silver ●	EL-CTA-PA-SB001-30	Width (mm) 300
White ○	EL-CTA-PA-SB001-29	
		Drawers
		Height (mm) 347
		Width (mm) 316

Multi socket



Surface colour	Purchase code	Dimensions
Black ●	EL-CTA-MSP-2-001-0600-EU-BLK02	Height (mm) 42
		Width (mm) 137

Cable tray fix



Surface colour	Purchase code	Dimensions
Black ●	EL-CTA-PA-CT0001-11	Height (mm) 86
Silver ●	EL-CTA-PA-CT0001-30	Width (mm) 1150
White ○	EL-CTA-PA-CT0001-29	

Integrated Qi charger



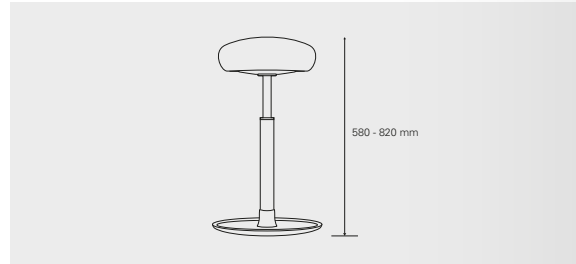
Purchase code	Dimensions
EL-CTA-IDC-1-010-0000-EU-QIN00	Width (mm) Ø 80 mm

Power strip



Surface colour	Purchase code	Dimensions
Black ●	EL-CTA-MSR-5-001-1500-EU-BLK00	Height (mm) 44 Width (mm) 405

Activity stool



Surface colour	Purchase code
Black ●	PA-CA001-11

Technical specifications:

Round seat	Ø 360 mm
Height	580 - 820 mm
Stroke	240 mm
Foot	Ø 390 mm
Weight	5,8 kg

	Solid 670	Liquid 270
Stationary drawer SN	•	-
Stationary drawer TRI	•	-
Cable tray fix	•	-
Cable tray flex	•	•
Multi socket	•	•
Integrated Qi charger	•	•
Power strip	•	•
Activity Stool	•	•

