



Catalogue 2020

actiforce



We are Actiforce

The evolution of mankind is a story of overcoming boundaries, limitations and nature. The endeavour to adapt to the environment, learn new skills and challenge the unknown is based solely on enlightenment by inspiration. Inspiration is the fertile ground for art and culture. It makes people move, invent all kinds of solutions and guides them to places no one has been before: further, deeper, faster. We design, we produce, we deliver. We are Actiforce.



The Aluforce Collection

The Aluforce desk frames are our original family of height adjustable sit-sit and sit-stand solutions featuring the Vision Lift system. The Aluforce collection offers you aluminium-cased workspaces ranging from single step to fully digital two-motor high-stroke frames.

Aluforce Pro 110 HC



Single step, sit-stand, height mechanically adjustable

| | |
|-----------------------|-----------------------|
| Height (mm) | min. 680 / max. 1140 |
| Stroke (mm) | 460 |
| Speed (mm/s) | 6 / crank turn |
| Width (mm) | min. 1100 / max. 1700 |
| Length of feet (mm) | 740 |
| Dynamic capacity (kg) | 60 |
| Noise dB(A) | - |
| Gross Weight (kg) | 24 |

Legs and feet made of powder-coated aluminium.
Top supports and crossbars made of powder-coated steel.

Surface colour

Pure Silver ●

Purchase code

PC30T3048307XXEU

Packing dimension single unit

1120 x 280 x 180 (LxWxH - mm)

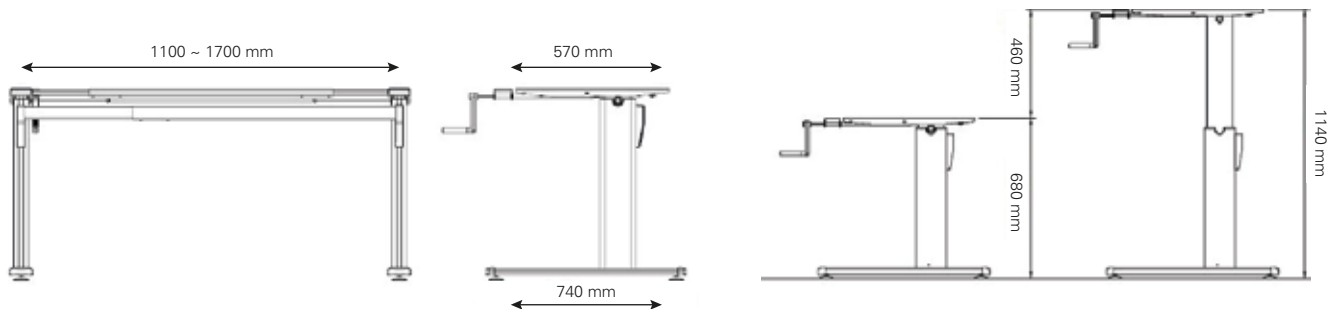
Packing dimension pallet (24 frames)

1140 x 1120 x 1200 (LxWxH - mm)

Accessories

Please see the accessories section to personalise your height adjustable frame.

VISIONLIFT
INSIDE



Aluforce Pro 140 HC



Single step, sit-stand, height mechanically adjustable

| | |
|-----------------------|----------------------|
| Height (mm) | min. 700 / max. 1160 |
| Stroke (mm) | 460 |
| Speed (mm/s) | 6 / crank turn |
| Width (mm) | min. 1100 / max 1700 |
| Length of feet (mm) | 750 |
| Dynamic capacity (kg) | 60 |
| Noise dB(A) | - |
| Gross Weight (kg) | 24 |

Legs made of powder-coated aluminium.

Top supports, crossbar and feet made of powder-coated steel.

Surface colour

| | | |
|---------------|---|------------------|
| Pure Silver | ● | P1930000000218EU |
| Traffic White | ○ | P1930000000229EU |
| Jet Black | ● | P1930000000211EU |

Purchase code

Packing dimension single unit

1110 x 260 x 156 (LxWxH - mm)

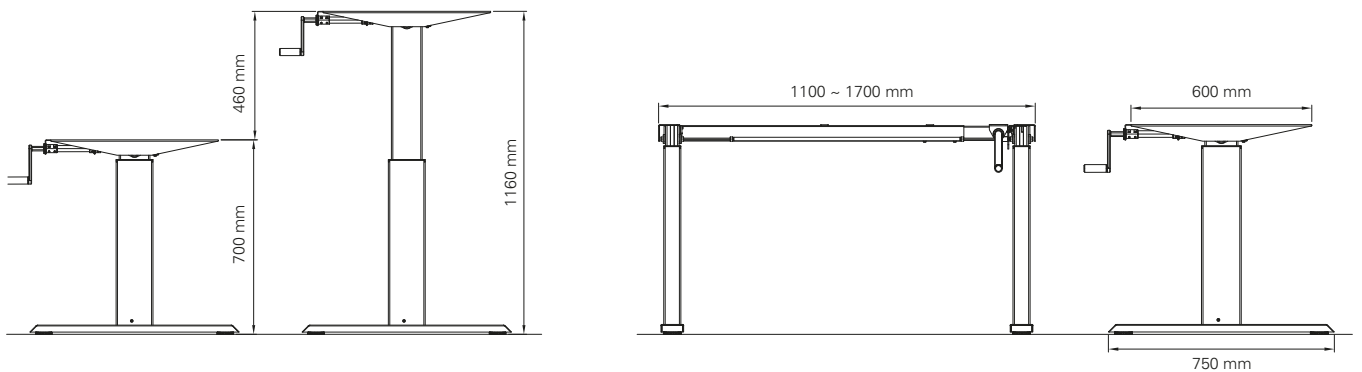
Packing dimension pallet (24 frames)

1140 x 1130 x 1056 (LxWxH - mm)

Accessories

Please see the accessories section to personalise your height adjustable frame.

VISIONLIFT
INSIDE



Aluforce Pro 140 M



Single step, sit-stand, height electrically adjustable

| | |
|-----------------------|------------------------------|
| Height (mm) | min. 700 / max. 1160 |
| Stroke (mm) | 460 |
| Speed (mm/s) | 23 |
| Width (mm) | min. 1100 / max. 1700 |
| Length of feet (mm) | 750 |
| Dynamic capacity (kg) | 60 |
| Noise dB(A) | <50 |
| Power | V100-240 / standby (W) ≤0.21 |
| Plug type | Replaceable |
| Gross Weight (kg) | 23 |

Legs made of powder-coated aluminium.

Top supports, crossbar and feet made of powder-coated steel.

Surface colour

| | | |
|---------------|---|------------------|
| Pure Silver | ● | P1930000000030EU |
| Traffic White | ○ | P1930000000029EU |
| Jet Black | ● | P1930000000011EU |

Purchase code

Packing dimension single unit

1110 x 260 x 156 (LxWxH - mm)

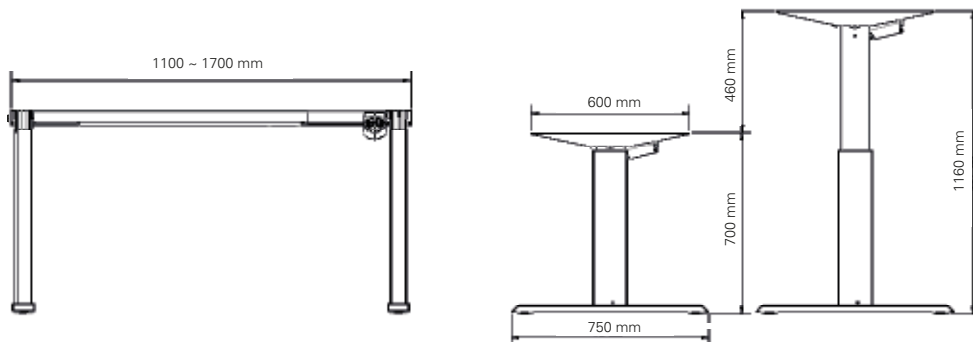
Packing dimension pallet (24 frames)

1140 x 1130 x 1056 (LxWxH - mm)

Accessories

Please see the accessories section to personalise your height adjustable frame.

VISIONLIFT
INSIDE



Aluforce Pro 150 M



Single step, sit-stand, height electrically adjustable

| | |
|-----------------------|------------------------------|
| Height (mm) | min. 680 / max. 1140 |
| Stroke (mm) | 460 |
| Speed (mm/s) | 24 |
| Width (mm) | min. 1100 / max. 1700 |
| Length of feet (mm) | 740 |
| Dynamic capacity (kg) | 60 |
| Noise dB(A) | <50 |
| Power | V100-240 / standby (W) ≤0.21 |
| Plug type | Replaceable |
| Gross Weight (kg) | 26 |

Legs and feet made of powder-coated aluminium.

Top supports and crossbars made of powder-coated steel.

Surface colour

Pure Silver ●

Purchase code

PC30T304830204EU

Packing dimension single unit

1120 x 280 x 180 (LxWxH - mm)

Packing dimension pallet (24 frames)

1140 x 1120 x 1200 (LxWxH - mm)

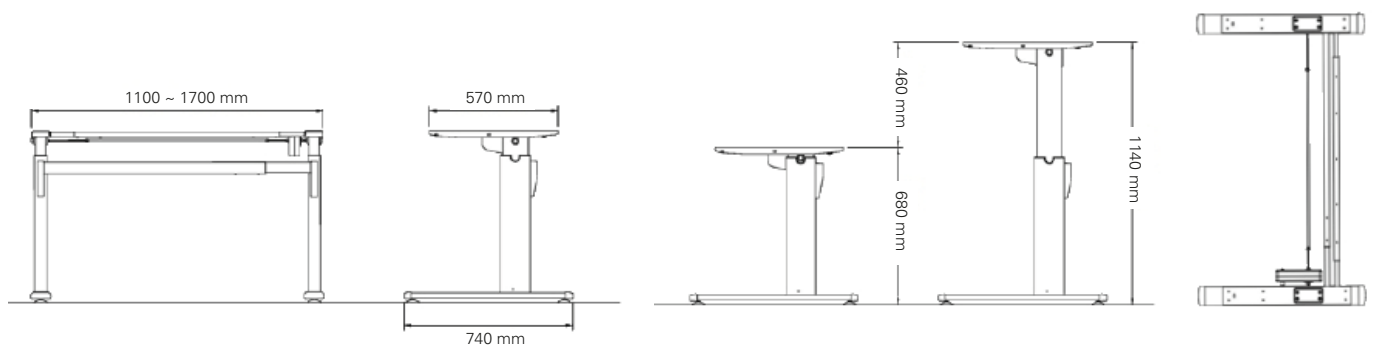
Accessories

Please see the accessories section to personalise your height adjustable frame.

VISIONLIFT
INSIDE



CE





Aluforce Pro 250 M



Dual step, sit-stand, height electrically adjustable

| | |
|-----------------------|-------------------------|
| Height (mm) | min. 630 / max. 1280 |
| Stroke (mm) | 650 |
| Speed (mm/s) | 31 |
| Width (mm) | min. 1100 / max. 1700 |
| Length of feet (mm) | 740 |
| Dynamic capacity (kg) | 80 |
| Noise dB(A) | <50 |
| Power | V 240 / standby (W) 0,5 |
| Plug type | Replaceable |
| Gross Weight (kg) | 30 |

Legs and feet made of powder-coated aluminium.

Top supports and crossbars made of powder-coated steel.

Surface colour

| | | |
|---------------|---|---------------------|
| Pure Silver | ● | P230T300830102EU-SG |
| Traffic White | ○ | P229T290829102EU-SG |
| Jet Black | ● | P211T110811102EU-SG |

Purchase code

Packing dimension single unit

1120 x 280 x 180 (LxWxH - mm)

Packing dimension pallet (24 frames)

1140 x 1120 x 1200 (LxWxH - mm)

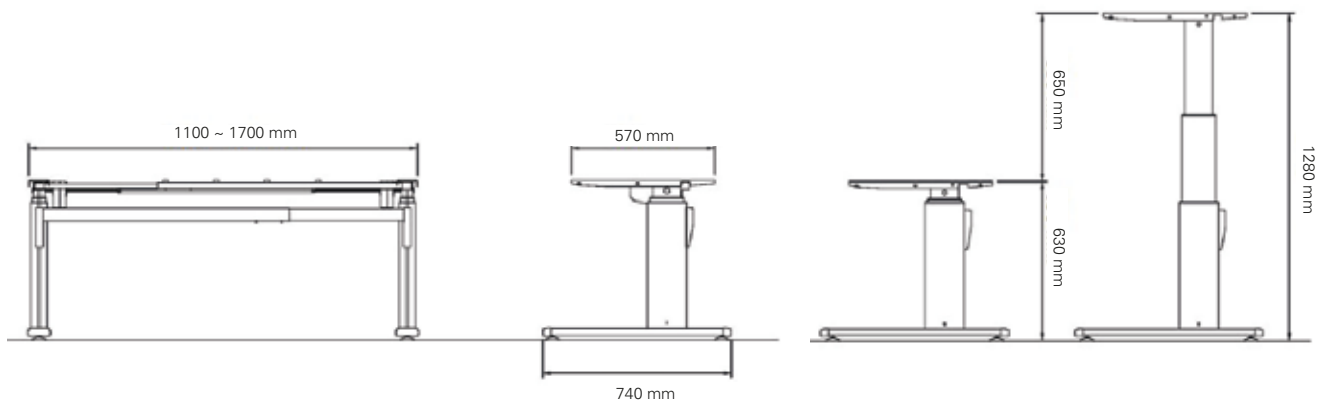
Accessories

Please see the accessories section to personalise your height adjustable frame.

VISIONLIFT
INSIDE



Tested according to ANSI/BIFMA X5.5 by TÜV SÜD.



Aluforce Pro 251 M 90°



Dual step, sit-stand, height electrically adjustable

| | |
|---------------------------|--------------------------------|
| Height (mm) | min. 630 / max. 1280 |
| Stroke (mm) | 650 |
| Speed (mm/s) | 28 |
| Width main unit (mm) | min. 1100 / max. 1700 |
| Width ancillary unit (mm) | min. 1200 / max. 1400 |
| Length of feet (mm) | 740 |
| Dynamic capacity (kg) | 80 |
| Noise dB(A) | <50 |
| Power | 100 - 240 Vac / Standby ≤0.21w |
| Plug type | Replaceable |
| Gross Weight (kg) | 43 |

Legs and feet made of powder-coated aluminium.
Top supports and crossbars made of powder-coated steel.

Surface colour

Pure Silver ●

Purchase code

P430Y30A230102EU-SG

Packing dimension single unit

1180 x 350 x 200 (LxWxH - mm)

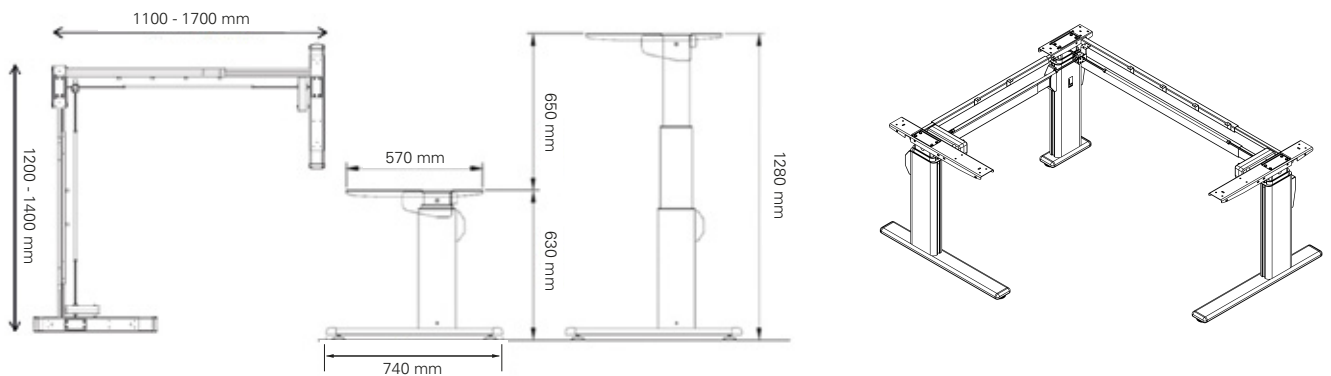
Packing dimension pallet (15 frames)

1140 x 1120 x 1100 (LxWxH - mm)

Accessories

Please see the accessories section to personalise your height adjustable frame.

VISIONLIFT
INSIDE



Aluforce Pro 270 GT



Dual step, sit-stand, height electrically adjustable

| | |
|-----------------------|-------------------------------|
| Height (mm) | min 630 / max. 1280 |
| Stroke (mm) | 650 |
| Speed (mm/s) | 36 |
| Width (mm) | min. 1100 / max. 1700 |
| Length of feet (mm) | 740 |
| Dynamic capacity (kg) | 80 |
| Noise dB(A) | <50 |
| Power | 220 - 240 Vac / standby ≤0.3w |
| Plug type | Replaceable |
| Gross Weight (kg) | 28 |

Legs and feet made of powder-coated aluminium.
 Top supports and crossbars made of powder-coated steel.
 Soft start & stop function.

Surface colour

Pure Silver ●

Purchase code

P230T300830M07EU-SG

Packing dimension single unit

1120 x 280 x 180 (LxWxH - mm)

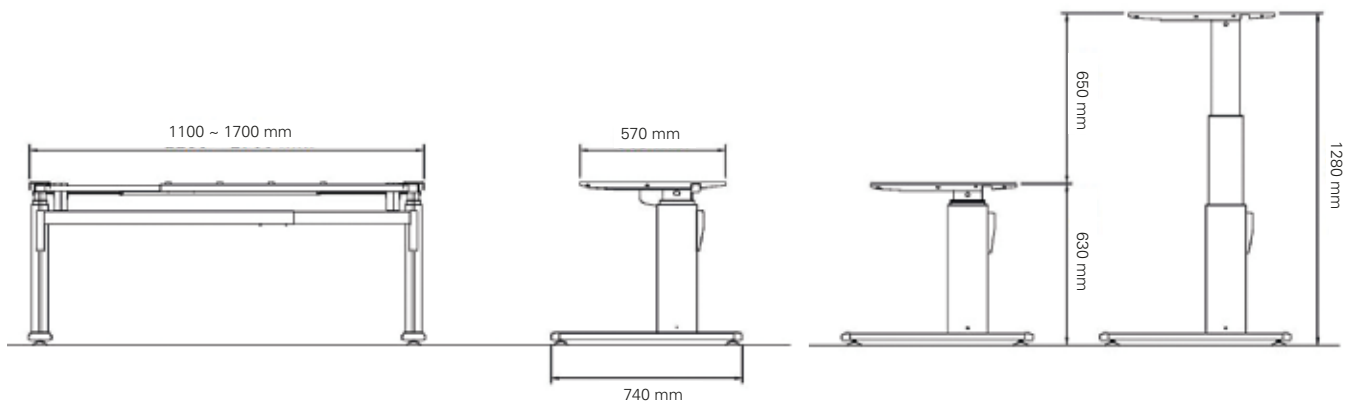
Packing dimension pallet (24 frames)

1140 x 1120 x 1200 (LxWxH - mm)

Accessories

Please see the accessories section to personalise your height adjustable frame.

VISIONLIFT
INSIDE



The Steelforce Collection

After the Aluforce collection, we have created the Steelforce Collection. The Steelforce Collection offers a variety of manually operated frames.

Steelforce Pro 100 HC



Single step, sit-stand, height mechanically adjustable

| | |
|-----------------------|----------------------|
| Height (mm) | min. 680 / max. 1090 |
| Stroke (mm) | 410 |
| Speed (mm/s) | 13 / crank turn |
| Width (mm) | min. 800 / max. 1200 |
| Length of feet (mm) | 620 |
| Dynamic capacity (kg) | 60 |
| Noise dB(A) | - |
| Gross Weight (kg) | 20 |

Legs, feet, top supports and crossbar made of powder-coated steel.
Including casters and foot adjusters.
Pre-assembled.

Surface colour

Pure Silver ●

Purchase code

H1130f30A130PXXEU-A

Packing dimension single unit

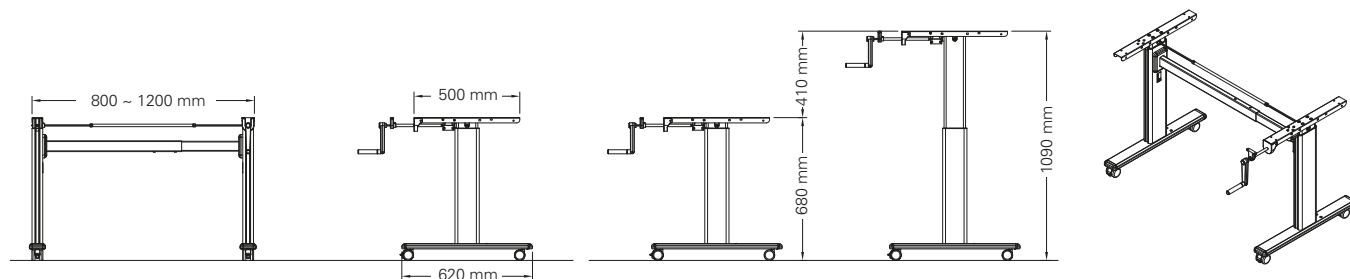
670 x 560 x 140 (LxWxH - mm)

Packing dimension pallet (32 frames)

1140 x 1130 x 1420 (LxWxH - mm)

Accessories

Please see the accessories section to personalise your height adjustable frame.



Steelforce Pro 200 HC



Single step, sit-stand, height mechanically adjustable

| | |
|-----------------------|-----------------------|
| Height (mm) | min. 620 / max. 1050 |
| Stroke (mm) | 430 |
| Speed (mm/s) | 13 / crank turn |
| Width (mm) | min. 1000 / max. 1400 |
| Length of feet (mm) | 750 |
| Dynamic capacity (kg) | 60 |
| Noise dB(A) | - |
| Gross Weight (kg) | 24 |

Legs, feet, top supports and crossbar made of powder-coated steel.
Pre-assembled.

***Optional with crossbar extension (min. 1300 - max. 1800 mm)**

Surface colour

Pure Silver ●

Purchase code

ETH300001230EU-A

Packing dimension single unit

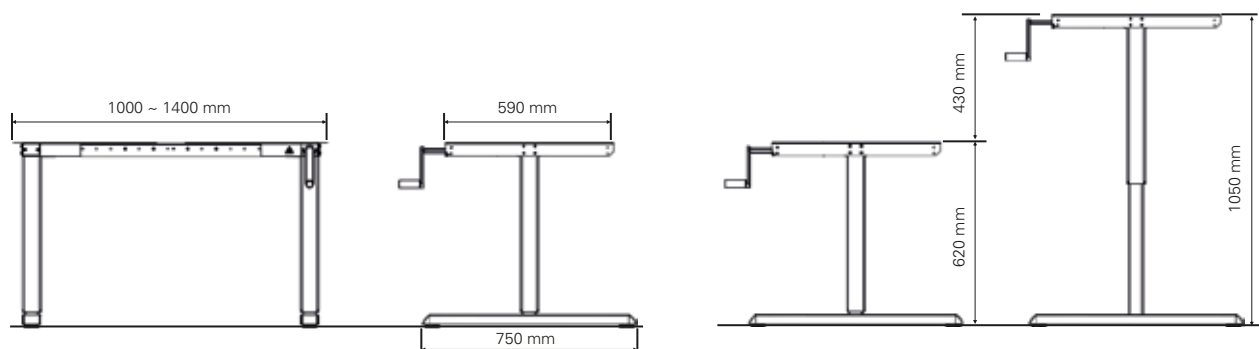
790 x 550 x 150 (LxWxH - mm)

Packing dimension pallet (14 frames)

1110 x 800 x 1120 (LxWxH - mm)

Accessories

Please see the accessories section to personalise your height adjustable frame.



Steelforce Pro 210 HC



Single step, sit-stand, height mechanically adjustable

| | |
|-----------------------|-----------------------|
| Height (mm) | min. 700 / max. 1180 |
| Stroke (mm) | 480 |
| Speed (mm/s) | 13 / crank turn |
| Width (mm) | min. 1000 / max. 1400 |
| Length of feet (mm) | 750 |
| Dynamic capacity (kg) | 60 |
| Noise dB(A) | - |
| Gross Weight (kg) | 24 |

Legs, feet, top supports and crossbar made of powder-coated steel.
Pre-assembled.

***Optional with crossbar extension (min. 1300 - max. 1800 mm)**

Surface colour

| | | |
|---------------|---|------------------|
| Pure Silver | ● | ETH400001230EU-A |
| Traffic White | ○ | ETH400001229EU-A |
| Jet Black | ● | ETH400001211EU-A |

Purchase code

Packing dimension single unit

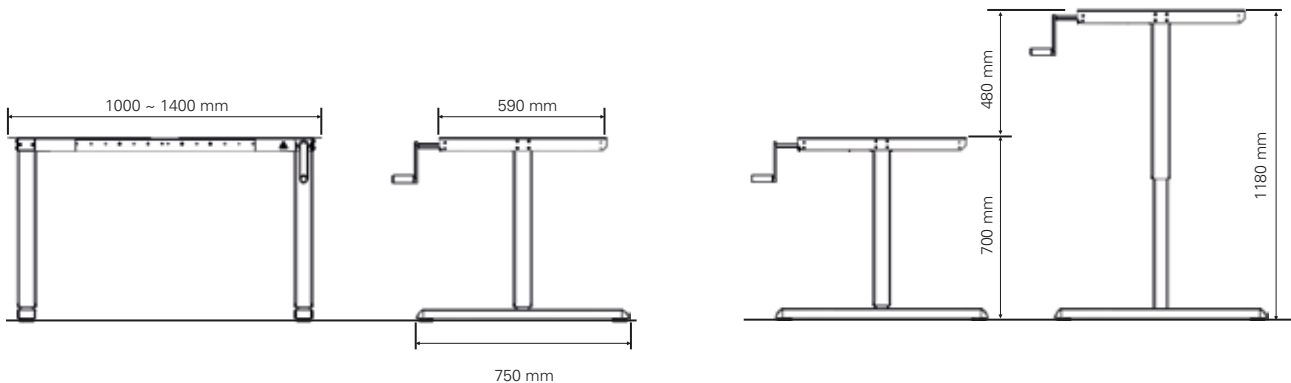
790 x 550 x 150 (LxWxH - mm)

Packing dimension pallet (14 frames)

1110 x 800 x 1120 (LxWxH - mm)

Accessories

Please see the accessories section to personalise your height adjustable frame.





The SLS Collection

We created the SLS Collection to complete our range of desk frames. Whether operated manually or silently driven by two motors, the SLS frames stand out through the variations of legs, the absence of a crossbar in most solutions and a simple and modern design

Steelforce Pro 270 SLS



Dual step, sit-stand, height electrically adjustable

| | |
|-----------------------|-----------------------|
| Height (mm) | min. 615 / max. 1275 |
| Stroke (mm) | 660 |
| Speed (mm/s) | 39 |
| Width | min. 1100 / max. 1700 |
| Length of feet (mm) | 750 |
| Column size (mm) | 64 x 130 |
| Dynamic capacity (kg) | 80 |
| Noise dB(A) | <55 |
| Power | V 220-240 |
| Plug type | Replaceable |
| Gross Weight (kg) | 38 |

Legs, feet, top supports and crossbar made of powder-coated steel.

Soft start & stop function.

Spindle lifting system and low energy consumption.

Surface colour

Pure Silver ●

Purchase code

SLS40000000383EU

Packing dimension single unit

945 x 275 x 168 (LxWxH - mm)

Packing dimension pallet (20 frames)

1140 x 1130 x 1030 (LxWxH - mm)

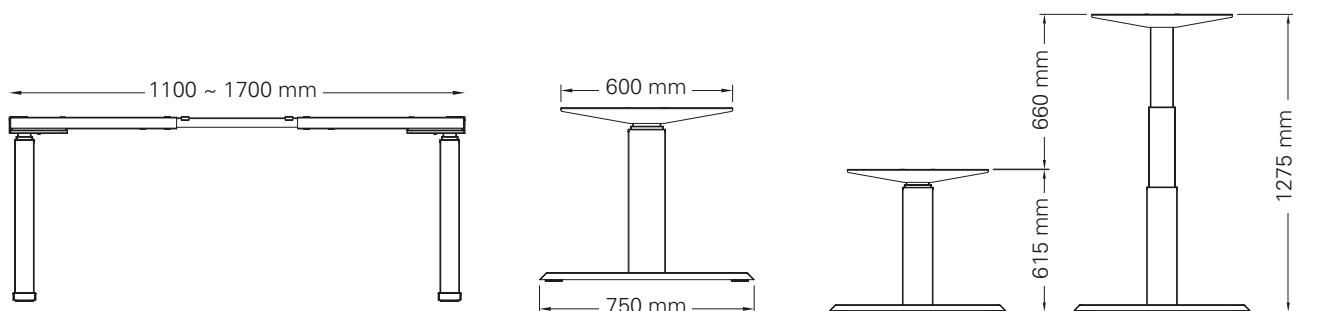
Accessories

Please see the accessories section to personalise your height adjustable frame.



Tested according to Japan domestic standard by TÜV Rheinland.

Tested according to IEC 60335-1 by Intertek.



Steelforce Pro 370 SLS SC



Single step, sit-stand, height electrically adjustable

| | |
|-----------------------|----------------------|
| Height (mm) | min. 690 / max. 1180 |
| Stroke (mm) | 490 |
| Speed (mm/s) | 39 |
| Width (mm) | 410 |
| Length of feet (mm) | 750 |
| Column size (mm) | 70 x 70 |
| Dynamic capacity (kg) | 60 |
| Noise dB(A) | <55 |
| Power | V 220 - 240 |
| Plug type | Replaceable |
| Gross Weight (kg) | 20,5 |

Legs, feet, top supports and crossbars made of powder-coated steel.
Soft start & stop function.
Spindle lifting system and low energy consumption.



Surface colour

| | | |
|---------------|---|----------------------|
| Pure Silver | ● | SLS45Q04420398EU-ISP |
| Traffic White | ○ | SLS45Q04420329EU-ISP |
| Jet Black | ● | SLS45Q04420390EU-ISP |

Purchase code

Packing dimension single unit

775 x 270 x 180 (LxWxH - mm)

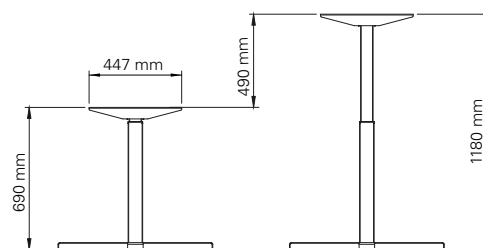
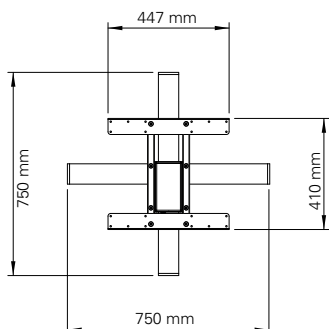
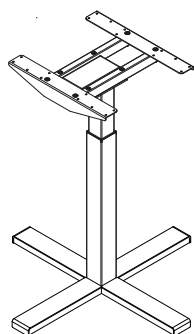
Packing dimension pallet (25 frames)

1140 x 1130 x 1030 (LxWxH - mm)

Accessories

Please see the accessories section to personalise your height adjustable frame.

Tested according to IEC 60335-1 by Intertek.



Steelforce Pro 370 SLS HC



Single step, sit-stand, height electrically adjustable

| | |
|-----------------------|-----------------------|
| Height (mm) | min. 690 / max. 1160 |
| Stroke (mm) | 470 |
| Speed (mm/s) | 5 mm / rotation |
| Width (mm) | min. 1100 / max. 1700 |
| Length of feet (mm) | 750 |
| Column size (mm) | 70 x 70 |
| Dynamic capacity (kg) | 60 |
| Noise dB(A) | <55 |
| Gross Weight (kg) | 30 |

Legs, feet, top supports and crossbars made of powder-coated steel.
Spindle lifting system.

Surface colour

| | |
|---------------|---|
| Pure Silver | ● |
| Traffic White | ○ |
| Jet Black | ● |

Purchase code

| |
|------------------|
| SLS44000619X98EU |
| SLS44000619X29EU |
| SLS44000619X90EU |

Packing dimension single unit

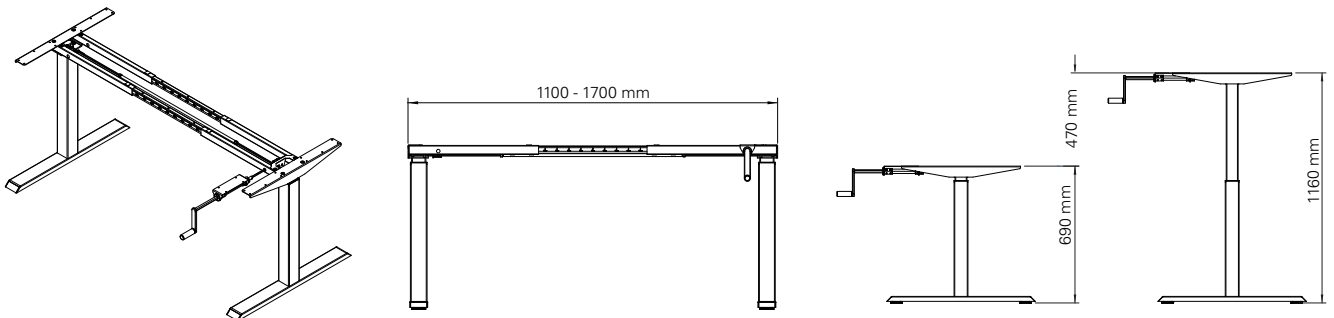
960 x 230 x 225 (LxWxH - mm)

Packing dimension pallet (20 frames)

1140 x 1130 x 1030 (LxWxH - mm)

Accessories

Please see the accessories section to personalise your height adjustable frame.



Steelforce Pro 370 SLS



Single step, sit-stand, height electrically adjustable

| | |
|-----------------------|-----------------------|
| Height (mm) | min. 690 / max. 1180 |
| Stroke (mm) | 490 |
| Speed (mm/s) | 39 |
| Width (mm) | min. 1100 / max. 1700 |
| Length of feet (mm) | 750 |
| Column size (mm) | 70 x 70 |
| Dynamic capacity (kg) | 80 |
| Noise dB(A) | <55 |
| Power | V 220 - 240 |
| Plug type | Replaceable |
| Gross Weight (kg) | 30,5 |

Legs, feet, top supports and crossbars made of powder-coated steel.
Soft start & stop function.
Spindle lifting system and low energy consumption.

Surface colour

| | | |
|---------------|---|------------------|
| Pure Silver | ● | SLS28000400398EU |
| Traffic White | ○ | SLS28000400329EU |
| Jet Black | ● | SLS28000400390EU |

Purchase code

Packing dimension single unit

945 x 275 x 168 (LxWxH - mm)

Packing dimension pallet (20 frames)

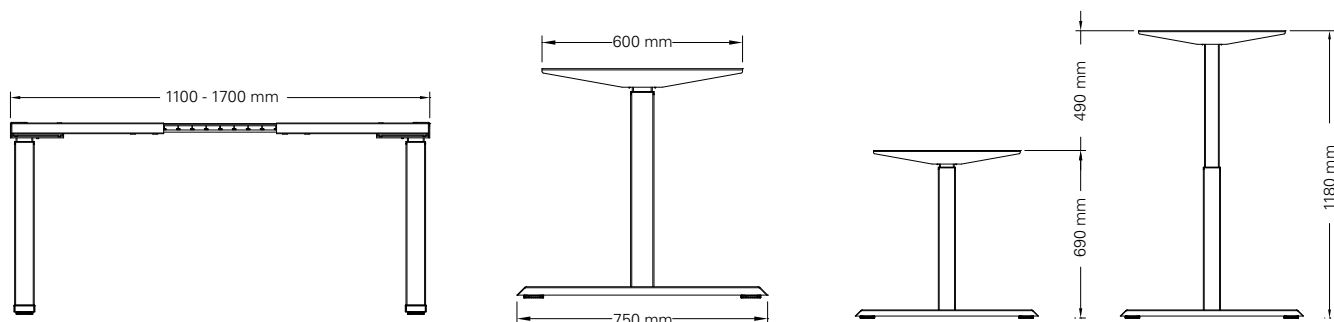
1140 x 1130 x 1030 (LxWxH - mm)

Accessories

Please see the accessories section to personalise your height adjustable frame.



Tested according to IEC 60335-1 by Intertek.



Steelforce Pro 470 SLS



Dual step, sit-stand, height electrically adjustable

| | |
|-----------------------|-----------------------|
| Height (mm) | min. 615 / max. 1275 |
| Stroke (mm) | 660 |
| Speed (mm/s) | 39 |
| Width (mm) | min. 1100 / max. 1700 |
| Length of feet (mm) | 750 |
| Column size (mm) | 70 x 70 |
| Dynamic capacity (kg) | 80 |
| Noise dB(A) | <55 |
| Power | V 220 - 240 |
| Plug type | Replaceable |
| Gross Weight (kg) | 33 |

Legs, feet, top supports and crossbar made of powder-coated steel.

Soft start & stop function.

Spindle lifting system and low energy consumption.

Surface colour

| | | |
|---------------|---|------------------|
| Pure Silver | ● | SLS30000000383EU |
| Traffic White | ○ | SLS30000000329EU |
| Jet Black | ● | SLS30000000390EU |

Purchase code

Packing dimension single unit

945 x 275 x 168 (LxWxH - mm)

Packing dimension pallet (20 frames)

1140 x 1130 x 1030 (LxWxH - mm)

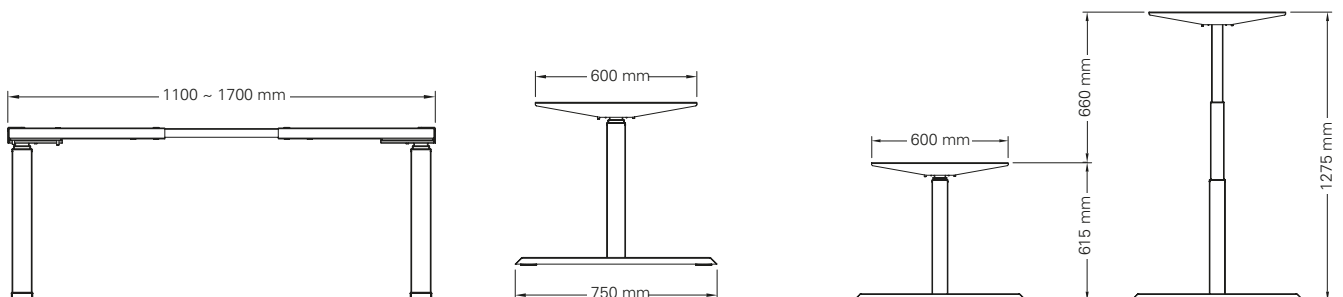
Accessories

Please see the accessories section to personalise your height adjustable frame.



Tested according to Japan domestic standard by TÜV Rheinland.

Tested according to IEC 60335-1 by Intertek.



Steelforce Pro 470 SLS Bench



Dual step, sit-stand, height electrically adjustable

| | |
|-----------------------|-----------------------|
| Height (mm) | min. 615 / max. 1275 |
| Stroke (mm) | 660 |
| Speed (mm/s) | 39 |
| Width (mm) | min. 1100 / max. 1700 |
| Column size (mm) | 70 x 70 |
| Dynamic capacity (kg) | 80 |
| Noise dB(A) | <55 |
| Power | V 220 - 240 |
| Plug type | Replaceable |
| Gross Weight (kg) | 75.5 |

Legs, feet, top supports and crossbars made of powder-coated steel.
Soft start & stop function.
Spindle lifting system and low energy consumption.

Surface colour

| | | |
|---------------|---|--------------------|
| Pure Silver | ● | SLS13400011383EU-0 |
| Traffic White | ○ | SLS13400011329EU-0 |
| Jet Black | ● | SLS13400011390EU-0 |

Purchase code

Packing dimension single unit (2 boxes)

Box 1. 970 x 275 x 320 (LxWxH - mm)

Box 2. 970 x 275 x 320 (LxWxH - mm)

Packing dimension pallet (6 frames)

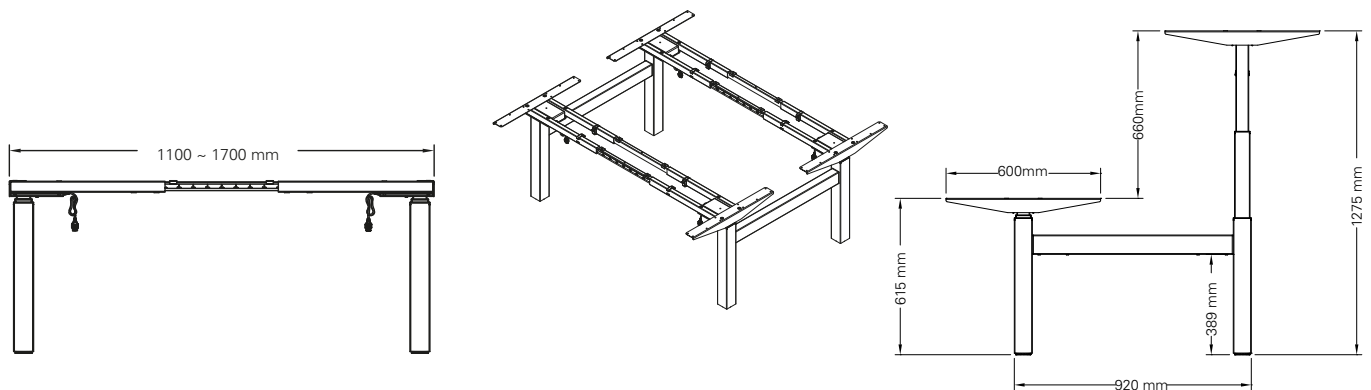
1140 x 1130 x 1130 (LxWxH - mm)

Accessories

Please see the accessories section to personalise your height adjustable frame.



Tested according to IEC 60335-1 by Intertek.



Steelforce Pro 471 SLS 90°



Dual step, sit-stand, height electrically adjustable

| | |
|---------------------------|-----------------------|
| Height (mm) | min. 615 / max. 1275 |
| Stroke (mm) | 660 |
| Speed (mm/s) | 39 |
| Width main unit (mm) | min. 1100 / max. 1700 |
| Width ancillary unit (mm) | min. 1450 / max. 1650 |
| Length of feet (mm) | 750 |
| Column size (mm) | 2x 750 mm / 1x 600 mm |
| Dynamic capacity (kg) | 150 |
| Noise dB(A) | <55 |
| Power | V 220 - 240 |
| Plug type | Replaceable |
| Gross Weight (kg) | 52,5 |

Legs, feet, top supports and crossbars made of powder-coated steel.
Soft start & stop function.
Spindle lifting system and low energy consumption.

Surface colour

| | | |
|---------------|---|--------------------|
| Pure Silver | ● | SLS16000007498EU-0 |
| Traffic White | ○ | SLS16000007429EU-0 |
| Jet Black | ● | SLS16000007490EU-0 |

Purchase code

Packing dimension single unit

Box 1. 945 x 275 x 168 (LxWxH - mm)
Box 2. 945 x 275 x 168 (LxWxH - mm)

Packing dimension pallet (12 frames)

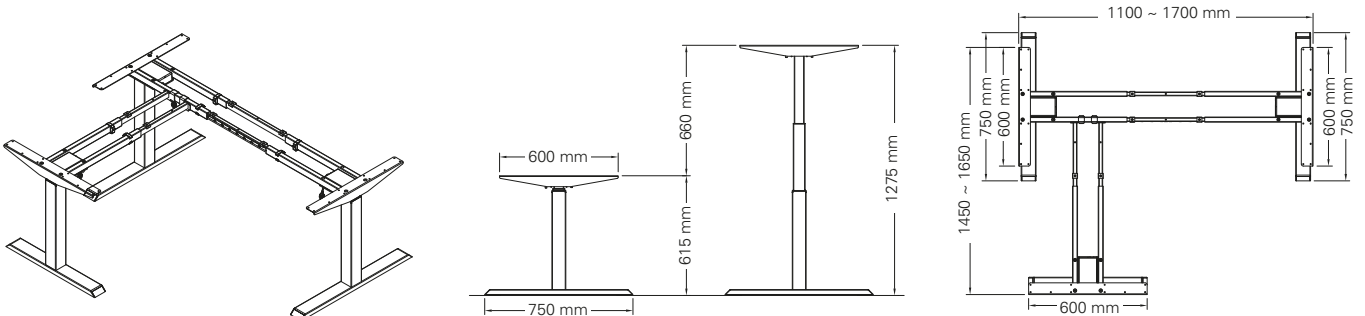
1140 x 1130 x 1210 (LxWxH - mm)

Accessories

Please see the accessories section to personalise your height adjustable frame.



Tested according to IEC 60335-1 by Intertek.



Steelforce Pro 472 SLS 120°



Dual step, sit-stand, height electrically adjustable

| | |
|---------------------------|-----------------------|
| Height (mm) | min. 615 / max. 1275 |
| Stroke (mm) | 660 |
| Speed (mm/s) | 39 |
| Width main unit (mm) | min. 1200 / max. 1400 |
| Width ancillary unit (mm) | min. 1200 / max. 1400 |
| Length of feet (mm) | 2x 750 / 1x 600 |
| Column size (mm) | 70 x 70 |
| Dynamic capacity (kg) | 150 |
| Noise dB(A) | <55 |
| Power | V 220 - 240 |
| Plug type | Replaceable |
| Gross Weight (kg) | 52,5 |

Legs, feet, top supports and crossbars made of powder-coated steel.
Soft start & stop function.
Spindle lifting system and low energy consumption.



Surface colour

| | | |
|---------------|---|--------------------|
| Pure Silver | ● | SLS21D00012483EU-0 |
| Traffic White | ○ | SLS21D00012429EU-0 |
| Jet Black | ● | SLS21D00012490EU-0 |

Purchase code

Packing dimension single unit

Box 1. 945 x 275 x 168 (LxWxH - mm)
Box 2. 945 x 275 x 168 (LxWxH - mm)

Packing dimension pallet (12 frames)

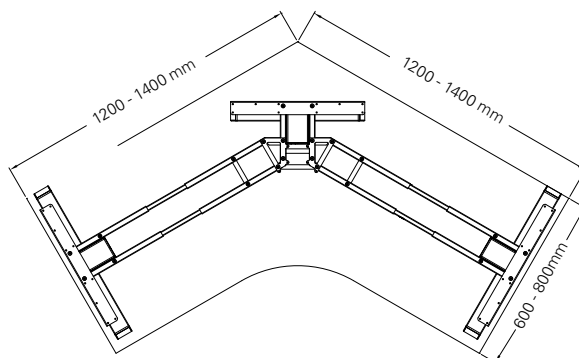
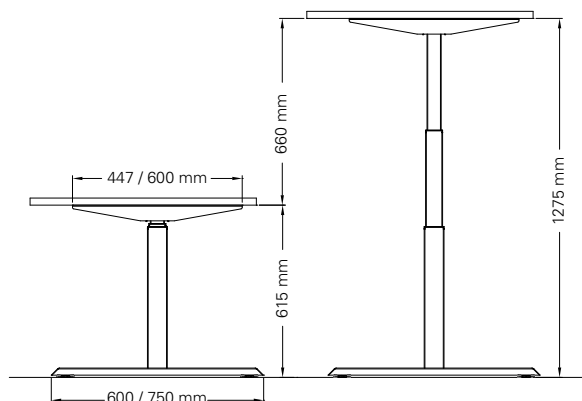
1140 x 1130 x 1210 (LxWxH - mm)

Accessories

Please see the accessories section to personalise your height adjustable frame.

***Optional as XL-version (min. 1500 - max. 1800 mm)**

Tested according to IEC 60335-1 by Intertek.





Steelforce Pro 570 SLS



Single step, sit-stand, height electrically adjustable

| | |
|-----------------------|-----------------------|
| Height (mm) | min. 690 / max. 1180 |
| Stroke (mm) | 490 |
| Speed (mm/s) | 39 |
| Width (mm) | min. 1100 / max. 1700 |
| Length of feet (mm) | 750 |
| Column size (mm) | 60 x 90 |
| Dynamic capacity (kg) | 80 |
| Noise dB(A) | <55 |
| Power | V 220 - 240 |
| Plug type | Replaceable |
| Gross Weight (kg) | 30 |

Legs, feet, top supports and crossbar made of powder-coated steel.
Soft start & stop function.
Spindle lifting system and low energy consumption.

Surface colour

| | | |
|---------------|---|------------------|
| Pure Silver | ● | SLS46300400398EU |
| Traffic White | ○ | SLS46300400329EU |
| Jet Black | ● | SLS46300400390EU |

Purchase code

Packing dimension single unit

945 x 275 x 168 (LxWxH - mm)

Packing dimension pallet (20 frames)

1140 x 1130 x 1030 (LxWxH - mm)

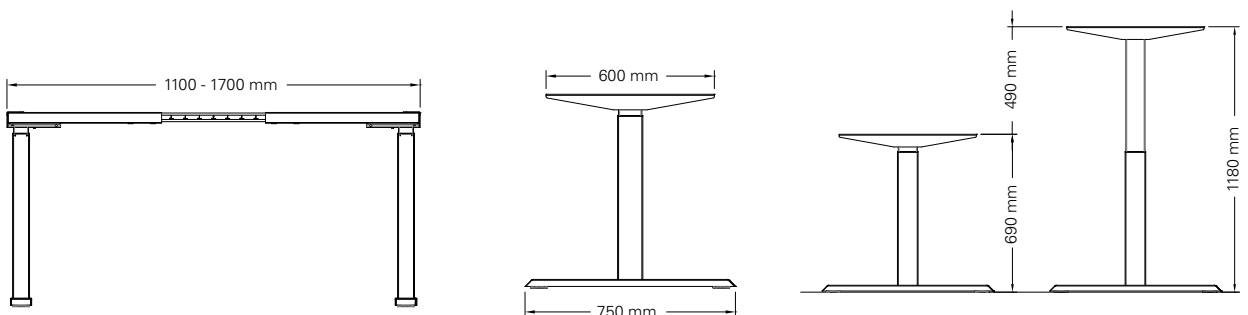
Accessories

Please see the accessories section to personalise your height adjustable frame.

*Optional with longer foot and top support (900 mm)



Tested according to IEC 60335-1 by Intertek.



Steelforce Pro 670 SLS



Dual step, sit-stand, height electrically adjustable

| | |
|-----------------------|-----------------------|
| Height (mm) | min. 615 / max. 1275 |
| Stroke (mm) | 660 |
| Speed (mm/s) | 39 |
| Width (mm) | min. 1100 / max. 1700 |
| Length of feet (mm) | 750 |
| Column size (mm) | 60 x 90 |
| Dynamic capacity (kg) | 80 |
| Noise dB(A) | <55 |
| Power | V 220 - 240 |
| Plug type | Replaceable |
| Gross Weight (kg) | 32 |

Legs, feet, top supports and crossbar made of powder-coated steel.

Soft start & stop function.

Spindle lifting system and low energy consumption.

Surface colour

| | |
|---------------|---|
| Pure Silver | ● |
| Traffic White | ○ |
| Jet Black | ● |

Purchase code

| | |
|---------------|------------------|
| Pure Silver | SLS50300000383EU |
| Traffic White | SLS50300000329EU |
| Jet Black | SLS50300000390EU |

Packing dimension single unit

945 x 275 x 168 (LxWxH - mm)

Packing dimension pallet (20 frames)

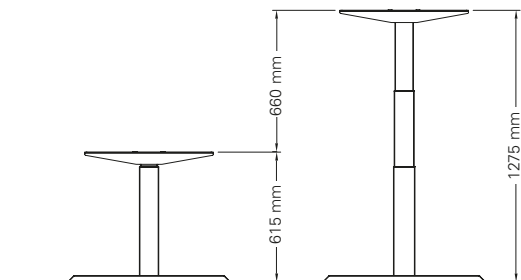
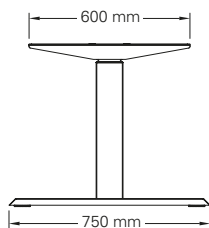
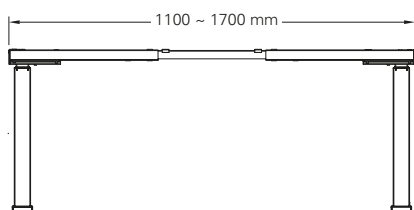
1140 x 1130 x 1030 (LxWxH - mm)

Accessories

Please see the accessories section to personalise your height adjustable frame.

*Optional with longer foot and top support (900 mm)

Tested according to Japan domestic standard by TÜV Rheinland.
Tested according to IEC 60335-1 by Intertek.



Steelforce Pro 671 SLS 90°



Dual step, sit-stand, height electrically adjustable

| | |
|---------------------------|-----------------------|
| Height (mm) | min. 615 / max. 1275 |
| Stroke (mm) | 660 |
| Speed (mm/s) | 39 |
| Width main unit (mm) | min. 1100 / max. 1700 |
| Width ancillary unit (mm) | min. 1450 / max. 1650 |
| Length of feet | 2x 750mm / 1x 600mm |
| Column size (mm) | 60 x 90 |
| Dynamic capacity (kg) | 150 |
| Noise dB(A) | <55 |
| Power | V 220 - 240 |
| Plug type | Replaceable |
| Gross Weight (kg) | 50,5 |

Legs, feet, top supports and crossbars made of powder-coated steel.
Soft start & stop function.
Spindle lifting system and low energy consumption.



Surface colour

| | | |
|---------------|---|--------------------|
| Pure Silver | ● | SLS35E000074J4EU-0 |
| Traffic White | ○ | SLS35E00007429EU-0 |
| Jet Black | ● | SLS35E00007490EU-0 |

Purchase code

Packing dimension single unit

Box 1. 945 x 275 x 168 (LxWxH - mm)
Box 2. 945 x 275 x 168 (LxWxH - mm)

Packing dimension pallet (12 frames)

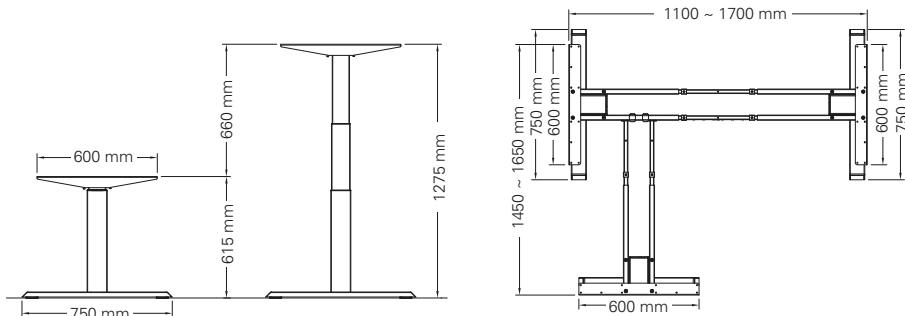
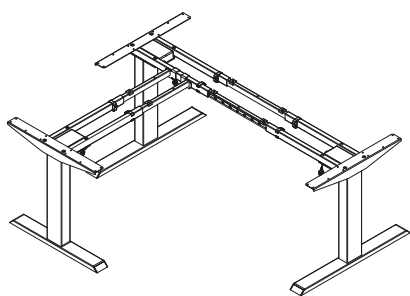
1140 x 1130 x 1210 (LxWxH - mm)

Accessories

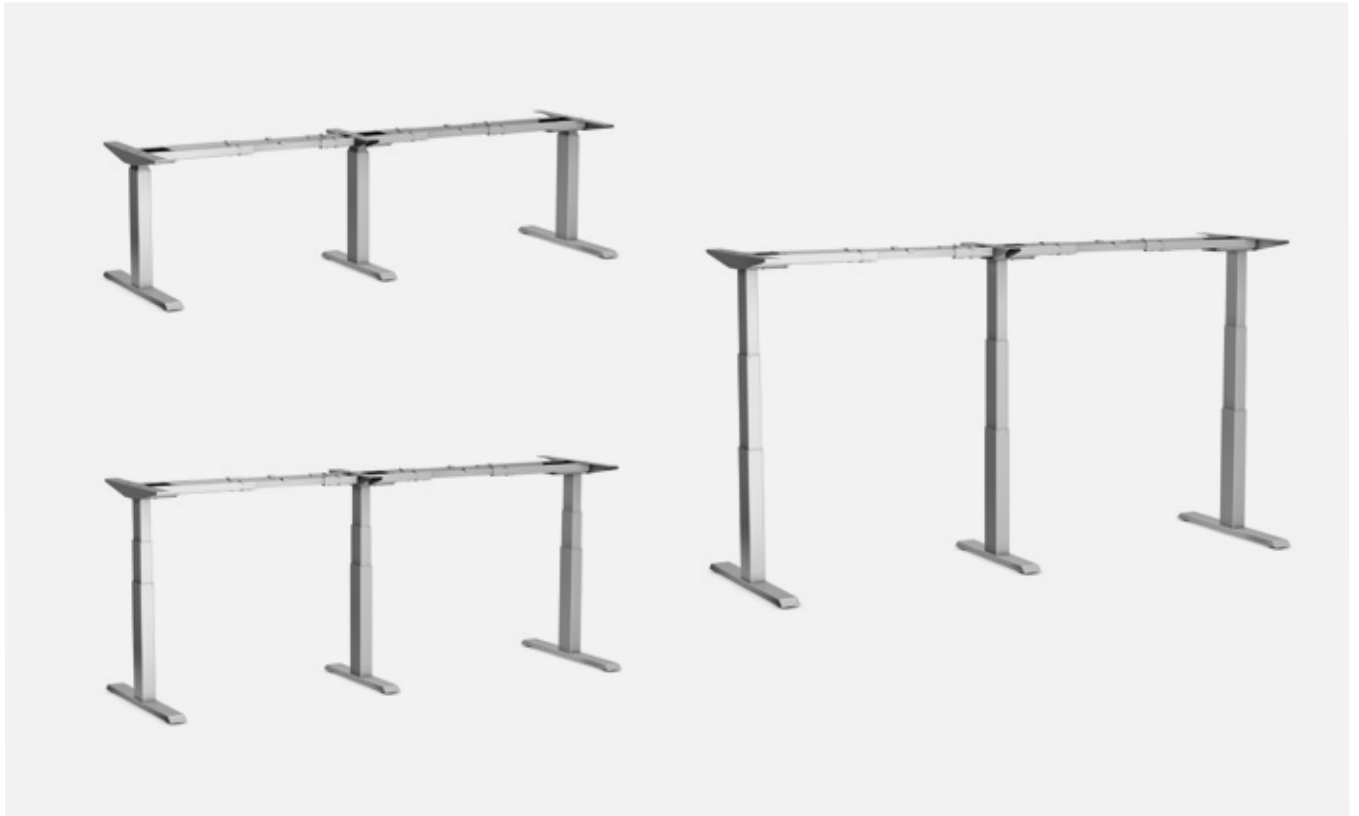
Please see the accessories section to personalise your height adjustable frame.

*Optional with longer foot and top support (900 mm)

Tested according to IEC 60335-1 by Intertek.



Steelforce Pro 675 SLS Conference



Dual step, sit-stand, height electrically adjustable

| | |
|-----------------------|-------------------------|
| Height (mm) | min. 615 / max. 1275 |
| Stroke (mm) | 660 |
| Speed (mm/s) | 39 |
| Width (mm) | min. 2100 / max. 2400 |
| Length of feet (mm) | 2 x 750 mm / 1 x 600 mm |
| Column size (mm) | 60 x 90 |
| Dynamic capacity (kg) | 150 |
| Noise dB(A) | <55 |
| Power | V 220 - 240 |
| Plug type | Replaceable |
| Gross Weight (kg) | 48 |

Legs, feet, top supports and crossbars made of powder-coated steel.
Soft start & stop function.
Spindle lifting system and low energy consumption.



Surface colour

| | | |
|---------------|---|--------------------|
| Pure Silver | ● | SLS37E05016483EU-0 |
| Traffic White | ○ | SLS37E05016429EU-0 |
| Jet Black | ● | SLS37E05016490EU-0 |

Purchase code

Packing dimension single unit

Box 1. 945 x 275 x 168 (LxWxH - mm)
Box 2. 945 x 275 x 168 (LxWxH - mm)

Packing dimension pallet (12 frames)

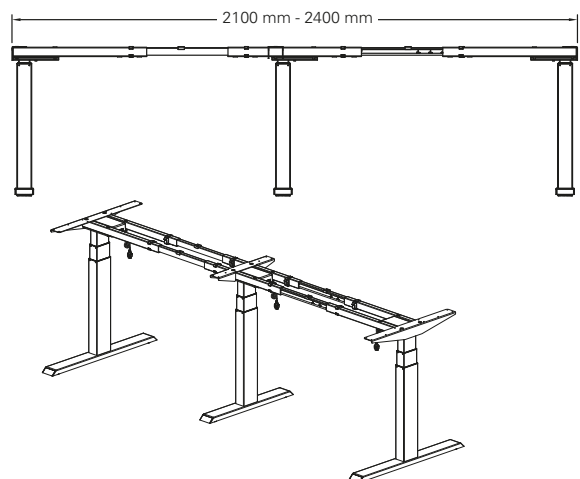
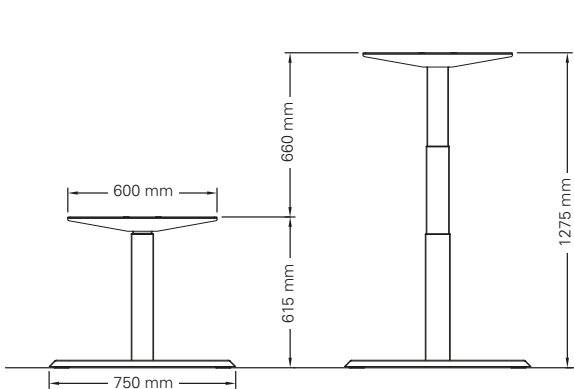
1140 x 1130 x 1210 (LxWxH - mm)

Accessories

Please see the accessories section to personalise your height adjustable frame.

*Optional with longer foot and top support (900 mm)

Tested according to IEC 60335-1 by Intertek.



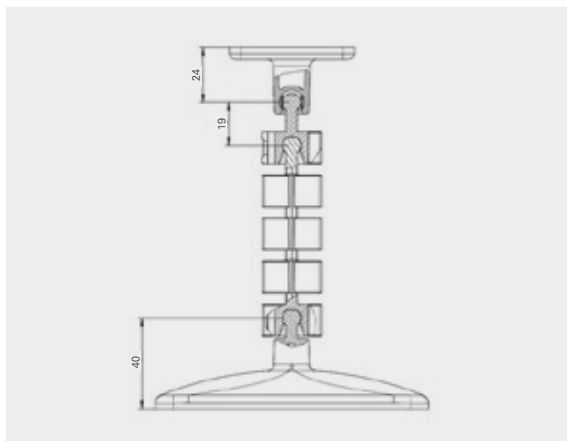




Accessories

We offer a range of accessories for our desk frames that enable you to personalise and manage your workspace.

Cable chain



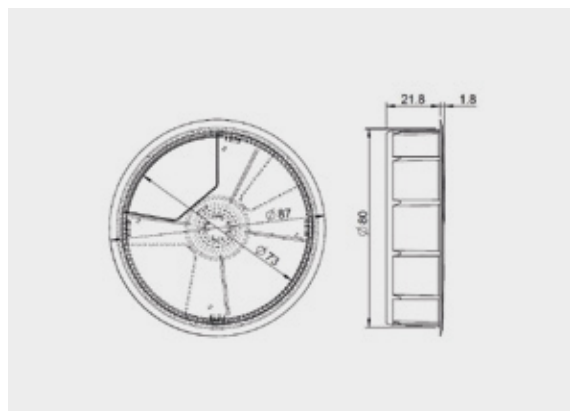
| Surface colour | Purchase code |
|----------------|-----------------|
| Jet Black ● | PA-AVL-CM007-11 |

Magnet cable chain



| Surface colour | Purchase code |
|----------------|-----------------|
| Jet Black ● | PA-AVL-CM008-11 |

Cable outlet



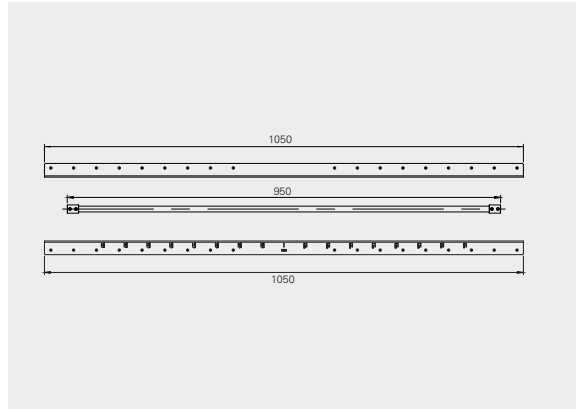
| Surface colour | Purchase code |
|-----------------|---------------|
| Jet Black ● | PA-CM0006-11 |
| Pure Silver ● | PA-CM0006-30 |
| Traffic White ○ | PA-CM0006-29 |

Cable strain relief



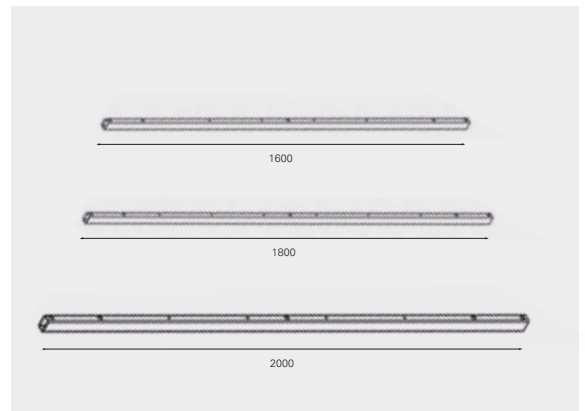
| Surface colour | Purchase code |
|----------------|---------------|
| Pure Silver ● | AVL-CM002-00 |

Crossbar extension (Steelforce Pro 200/210 HC)



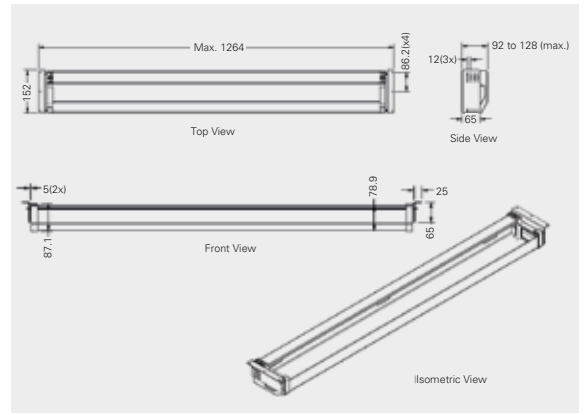
| Surface colour | Purchase code | Dimensions |
|----------------|------------------|-----------------|
| Jet Black ● | FA-MAN-FG0003-11 | Width (mm) 1800 |
| Pure Silver ● | FA-MAN-FG0003-30 | |

Fixed crossbar



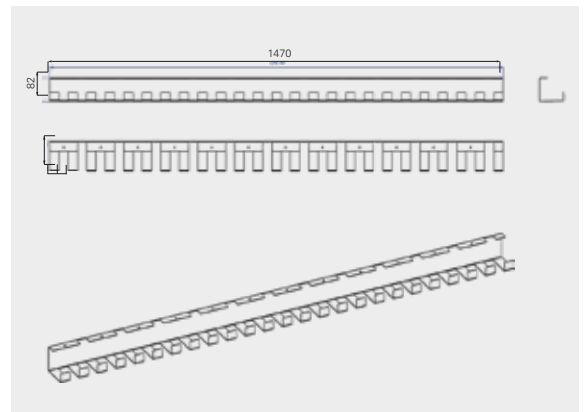
| Surface colour | Purchase code | Dimensions |
|----------------|--------------------|-----------------|
| Jet Black ● | FA-SLS-FCTW1600-DE | Width (mm) 1600 |
| Jet Black ● | FA-SLS-FCTW1800-DE | Width (mm) 1800 |
| Jet Black ● | FA-SLS-FCTW2000-DE | Width (mm) 2000 |

Cable tray 1200 mm



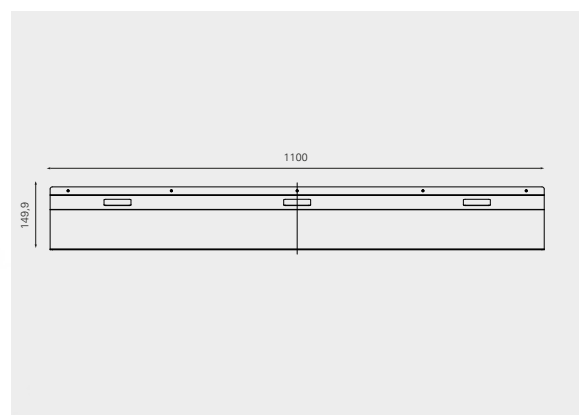
| Surface colour | Purchase code | Dimensions |
|-----------------|------------------|-----------------|
| Jet Black ● | FA-AVL-FG0065-11 | Height (mm) 152 |
| Pure Silver ● | FA-AVL-FG0065-30 | Width (mm) 1264 |
| Traffic White ○ | FA-AVL-FG0065-29 | |

Cable tray flex



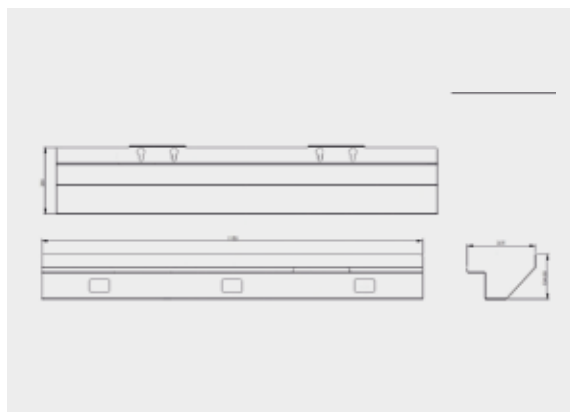
| Surface colour | Purchase code | Dimensions |
|-----------------|--------------------|-----------------|
| Jet Black ● | FA-SLS-FG0135-11-1 | Height (mm) 82 |
| Traffic White ○ | FA-SLS-FG0135-29-1 | Width (mm) 1470 |

Cable tray fixed



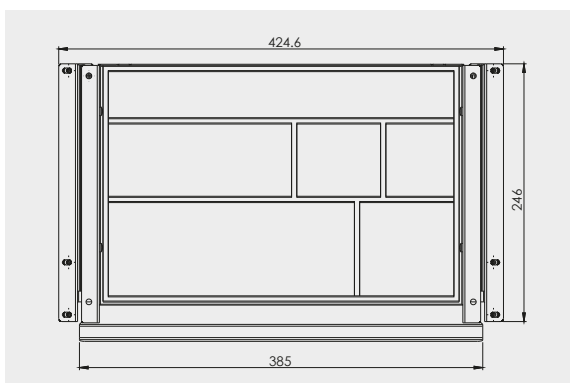
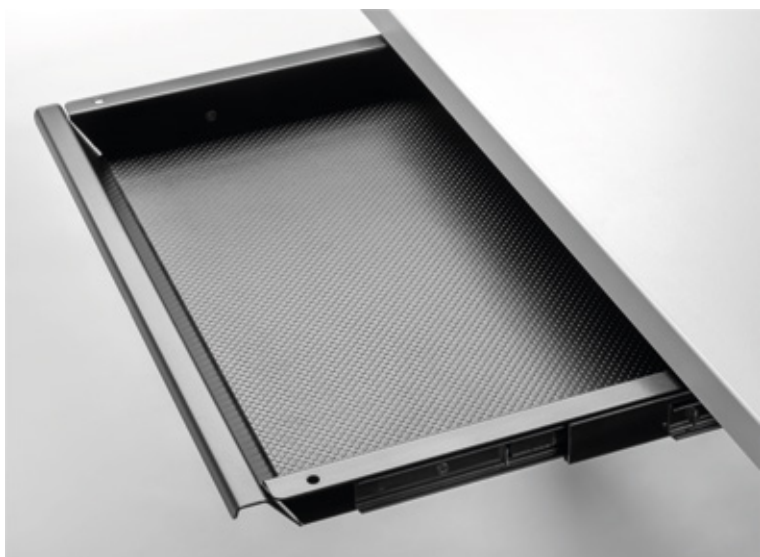
| Surface colour | Purchase code | Dimensions |
|-----------------|--------------------|-------------------|
| Jet Black ● | FA-SLS-FG0080-11-1 | Height (mm) 84,91 |
| Pure Silver ● | FA-SLS-FG0080-30-1 | Width (mm) 1100 |
| Traffic White ○ | FA-SLS-FG0080-29-1 | |

Cable tray easy



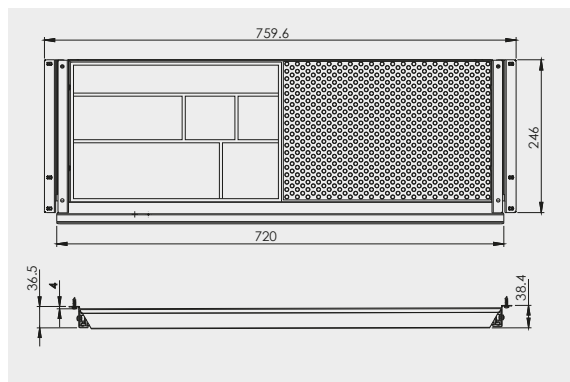
| Surface colour | Purchase code | Dimensions |
|-----------------|--------------------|--------------------|
| Jet Black ● | FA-SLS-FG0129-11-1 | Height (mm) 134,53 |
| Pure Silver ● | FA-SLS-FG0129-J2-1 | Width (mm) 1150 |
| Traffic White ○ | FA-SLS-FG0129-29-1 | |

Stationery drawer SN



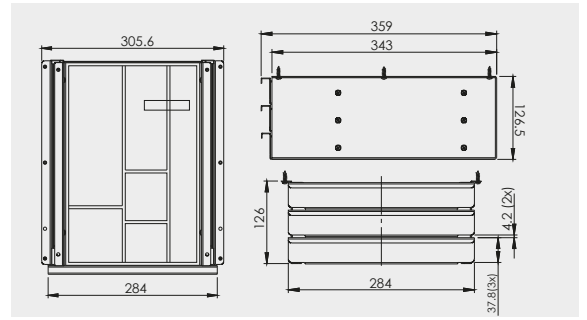
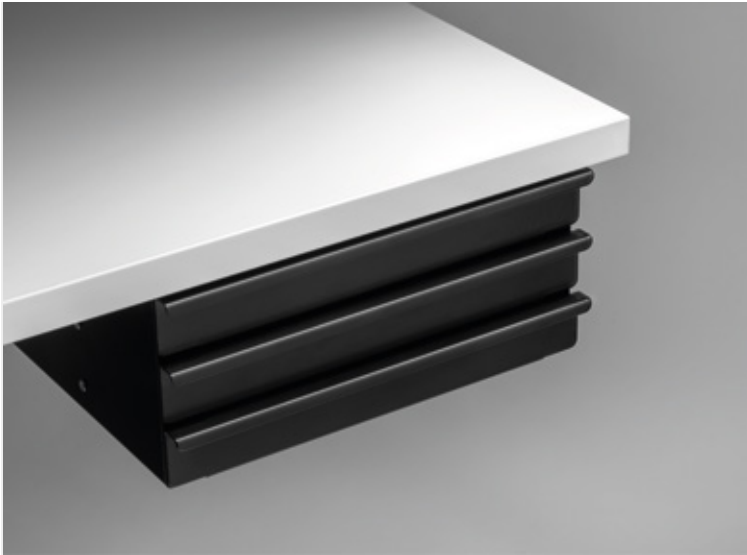
| Surface Colour | Purchase codes | Dimensions |
|-----------------|--------------------|-----------------|
| Jet Black ● | FA-SLS-FG0139-11-1 | Length (mm) 385 |
| Pure Silver ● | FA-SLS-FG0139-J2-1 | Width (mm) 246 |
| Traffic White ○ | FA-SLS-FG0139-29-1 | |

Stationery drawer SL



| Surface Colour | Purchase codes | Dimensions |
|-----------------|------------------|-----------------|
| Jet Black ● | FA-SLS-FG0138-11 | Length (mm) 720 |
| Pure Silver ● | FA-SLS-FG0138-J2 | Height (mm) 259 |
| Traffic White ○ | FA-SLS-FG0138-29 | Width (mm) 246 |

Stationery drawer TRI



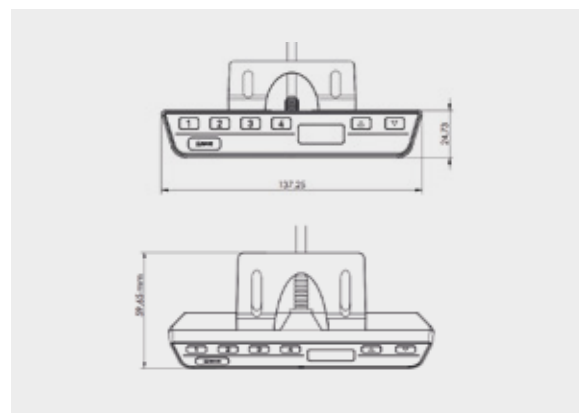
| Surface colour | Purchase code | Dimensions |
|-----------------|--------------------|-------------------|
| Jet Black ● | FA-SLS-FG0137-11-1 | Height (mm) 126,5 |
| Pure Silver ● | FA-SLS-FG0137-J2-1 | Width (mm) 305,6 |
| Traffic White ○ | FA-SLS-FG0137-29-1 | Length (mm) 359 |
| | | Drawers |
| | | Height (mm) 37,8 |
| | | Width (mm) 284 |

ActiLink



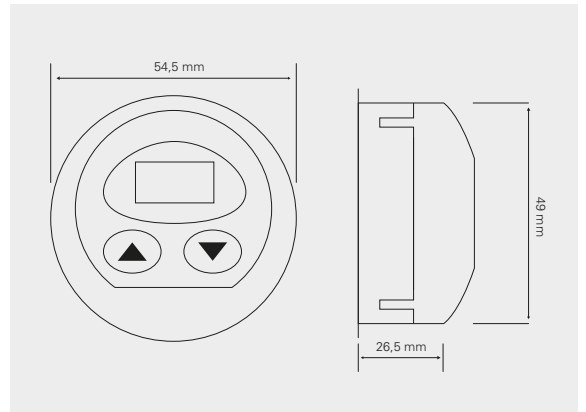
| Surface colour | Purchase code |
|-----------------|-----------------|
| Traffic White ○ | ACS-LLP001-29-1 |
| | |
| | |

Memory master fix



| Surface colour | Purchase code | Dimensions |
|----------------|---------------|--------------------|
| Jet Black ● | SLS-000027-00 | Length (mm) 137,25 |
| | | Height (mm) 24,73 |
| | | Width (mm) 59,65 |

Countersunk hand switch



| Purchase code | Dimensions |
|---------------|--------------------|
| AVL-000139-EU | Diameter (mm) 54,5 |
| | |
| | |

Sensor kit



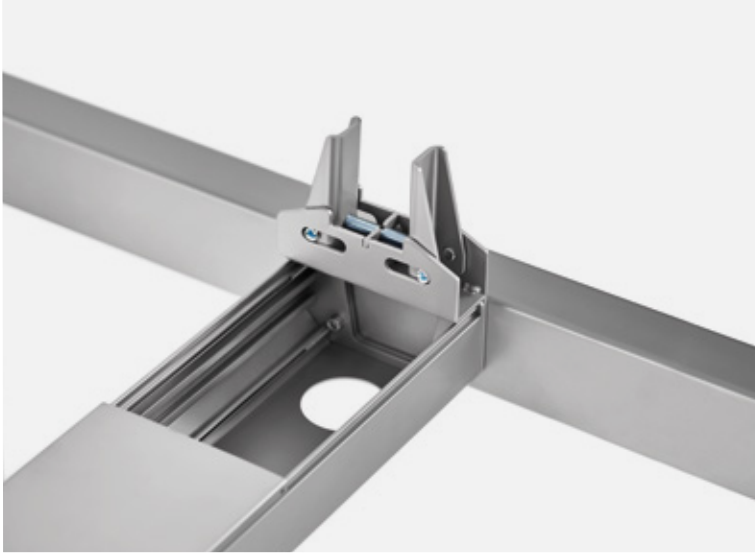
| Surface colour | Purchase code |
|----------------|------------------|
| Jet Black ● | FA-SLS-FG0046-00 |
| | |
| | |

SLS capacity enhancement



| Surface colour | Purchase code |
|----------------|------------------|
| Jet Black ● | FA-SLS-PS0002-00 |
| | |

Screen holder bracket (set of 2 pieces)



| Surface colour | Purchase code |
|-----------------|------------------|
| Jet Black ● | FA-SLS-FG0057-11 |
| Pure Silver ● | FA-SLS-FG0057-30 |
| Traffic White ○ | FA-SLS-FG0057-29 |

suitable for panels with a maximum thickness of 50 mm

Adjustable cable tray

Made of aluminium



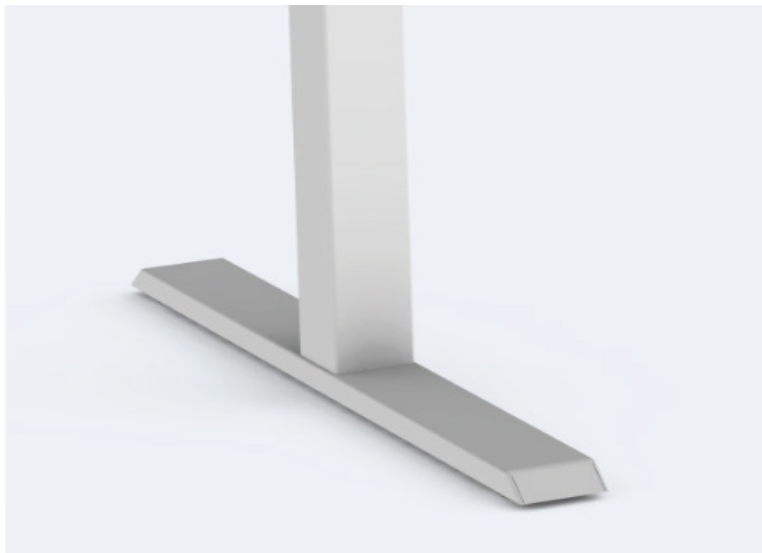
| Surface colour | Purchase code |
|-----------------|------------------|
| Jet Black ● | FA-SLS-FG0056-11 |
| Pure Silver ● | FA-SLS-FG0056-30 |
| Traffic White ○ | FA-SLS-FG0056-29 |

Foot 600 mm (Steelforce Pro 370/470 SLS series)



| Surface colour | Purchase code |
|-----------------|------------------|
| Jet Black ● | FA-SLS-3F0002-11 |
| Pure Silver ● | FA-SLS-3F0002-30 |
| Traffic White ○ | FA-SLS-3F0002-29 |

Foot 600 mm (Steelforce Pro 570/670 SLS series)



| Surface colour | | Purchase code |
|----------------|---|------------------|
| Jet Black | ● | FA-SLS-3F0003-11 |
| Pure Silver | ● | FA-SLS-3F0003-30 |
| Traffic White | ○ | FA-SLS-3F0003-29 |

Foot 900 mm (Steelforce Pro 570/670 SLS series)



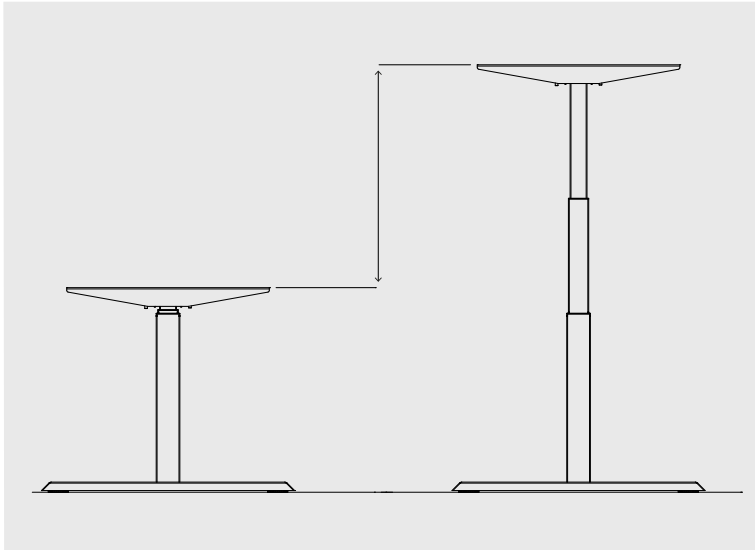
| Surface colour | | Purchase code |
|----------------|---|------------------|
| Jet Black | ● | FA-SLS-3F0016-11 |
| Pure Silver | ● | FA-SLS-3F0016-30 |
| Traffic White | ○ | FA-SLS-3F0016-29 |

Top Support 900 mm (Steelforce Pro 570/670 SLS series)



| Surface colour | | Purchase code |
|----------------|---|------------------|
| Jet Black | ● | FA-SLS-9TS017-11 |
| Pure Silver | ● | FA-SLS-9TS017-30 |
| Traffic White | ○ | FA-SLS-9TS017-29 |

Tailor-made stroke settings



Purchase code

AVL-IP0002-EU

| | Cable management | Storage (Drawers) | Hand controls (Memory master) | Fixed Crossbars | Sensor kit | Tailor-made stroke settings | Enhancements (SLS capacity enhancement) | Bench accessories (Screen holder bracket, adjustable cable tray) |
|-----------------------------------|------------------|-------------------|-------------------------------|-----------------|------------|-----------------------------|---|--|
| Aluforce Pro 110 HC | • | • | - | - | - | - | - | - |
| Aluforce Pro 140 HC | • | • | - | - | - | - | - | - |
| Aluforce Pro 140 M | • | • | - | - | - | - | - | - |
| Aluforce Pro 150 M | • | • | - | - | - | - | - | - |
| Aluforce Pro 250 M | • | • | - | - | - | - | - | - |
| Aluforce Pro 251 M 90° | • | • | - | - | - | - | - | - |
| Aluforce Pro 270 GT | • | • | • | - | - | • | - | - |
| Steelforce Pro 100 HC | • | • | - | - | - | - | - | - |
| Steelforce Pro 200 HC | • | • | - | - | - | - | - | - |
| Steelforce Pro 210 HC | • | • | - | - | - | - | - | - |
| Steelforce Pro 270 SLS | • | • | • | • | • | • | • | - |
| Steelforce Pro 370 SLS SC | • | - | • | - | • | • | • | - |
| Steelforce Pro 370 HC | • | • | - | - | - | - | - | - |
| Steelforce Pro 370 SLS | • | • | • | • | • | • | • | - |
| Steelforce Pro 470 SLS | • | • | • | • | • | • | • | - |
| Steelforce Pro 470 SLS Bench | • | • | • | • | • | • | • | • |
| Steelforce Pro 471 SLS 90° | • | • | • | - | • | • | - | - |
| Steelforce Pro 472 SLS 120° | • | • | • | - | • | • | - | - |
| Steelforce Pro 570 SLS | • | • | • | • | • | • | • | - |
| Steelforce Pro 670 SLS | • | • | • | • | • | • | • | - |
| Steelforce Pro 671 SLS 90° | • | • | • | - | • | • | - | - |
| Steelforce Pro 675 SLS Conference | • | • | • | - | • | • | - | - |



Actiforce Western Europe

Het Steenland 20
3751 LA Bunschoten-Spakenburg
The Netherlands

T +31 (0)33 460 0120
E info.holland@actiforce.com

actiforce.com