

Installatio

① Wiring, as shown in Figure 1.

AC input: L (brown or red)- firewire, N (blue or black)- neutral, (yellow-green)-ground line;

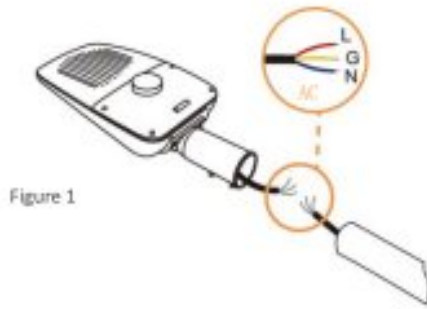


Figure 1

② Install the pole, as shown in Figure 2.

Put the pole into the lamp arm and fix the screw with a hex wrench. Be careful not to lock it;

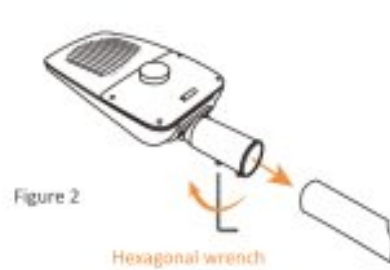


Figure 2

③ Adjust the angle as shown in Figure 3.

Adjust the lamp body horizontally to make the lamp body and the ground Vertically, tighten the screws with a hex wrench;



Figure 3

④ Install the Photocontrol, as shown in Figure 4.

Place the photocontrol on the lamp body and lock it;

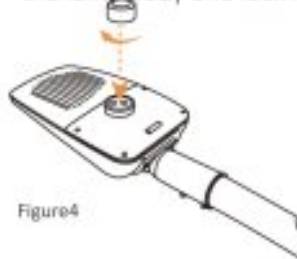


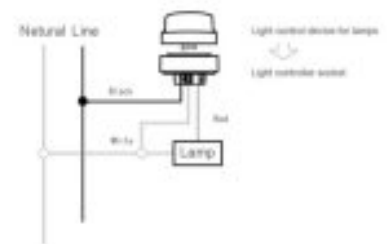
Figure 4

⑤ Assembly is completed, as shown in Figure 5.

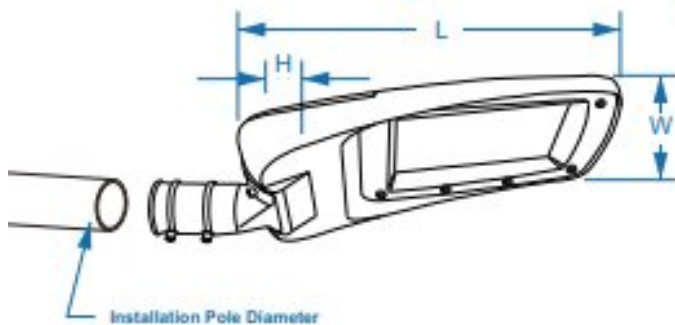


Figure 5

if with light controller



Dimensions(Unit:mm)



Model	Power	Product Size	Installation Pole Diameter
SRSL060W-230V	60W	L370xW180xH80mm	Φ60mm
SRSL100W-230V	100W	L420xW240xH80mm	Φ60mm
SRSL150W-230V	150W	L550xW280xH80mm	Φ60mm
SRSL200W-230V	200W	L600xW280xH80mm	Φ60mm