

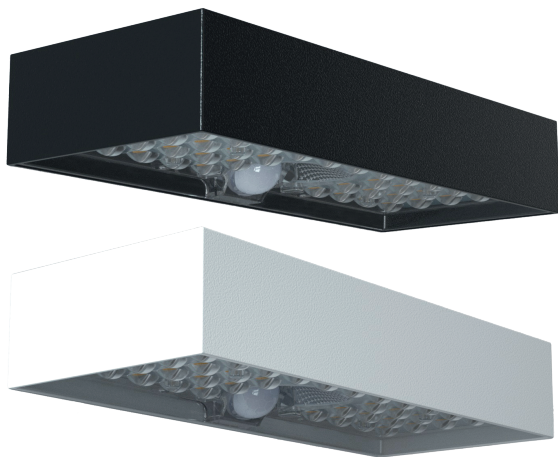
Ledvion

OUTDOOR - SOLAR LED LAMP

ART.NO. LVS10018 - LVS10019

Ledvion

Habraken 1205
5507 TB Veldhoven
The Netherlands
www.ledvion.com



Specifications

Brightness	900LM
Output Power	6W
≈ Traditional Power	60W
LEDs	SMD2835*35PCS
Solar Panel	2.8W, DC5.5V, Mono with tempered glass
Battery Pack	18650/3000mAh/3.7V/11.1Wh, replaceable
Beam Angle	140°*70° polarized design
PIR Sensor Range	Detection Angle: 120°; Detection Distance: ≤6M
Charging Time	8-10 hours strong sunshine to fully charge
Lighting Time	Mode A: 4 nights+ Mode B: 2 nights+
IP Class	IP65 waterproof & dustproof
Housing Material	ABS+PC housing, Anti-UV, V0 material for fire-proof
Housing Color	Black / White
Lamp Dimension	230*97*43mm
Installation Height	Less than 4mtrs
Working Temperature	-20°C- 60°C
Storage Temperature	0°C- 45°C
Warranty	2 years (battery 1 year warranty)
Packing	Color box (1PC * Lamp, 2PCS * Screws, 1PC*Measure Card, 1PC*User Manual)

CB CE  REACH IEC62471  

Please follow all instructions to operate.
Save this manual for future reference.

Top Features



New Brick Design



Ultra Bright



Solar Powered



Auto On/Off



Two Optional
Lighting Modes



Long Lighting Time



Safe



IP65 Waterproof



Zero Electricity Bills



PIR Detectable



Cordless to Install



Battery Replaceable

Two Optional Working Modes



Please press the button on the back of the lamp to turn on the lamp and select working mode.

- * Press the button 1st time, the lamp turns on and enter Mode A.
- * Press the button 2nd time, lamp flickers once and turns to Mode B.
- * Press the button 3rd time, lamp turns off.

Mode A: Sensor Mode

When battery power is more than 30%:

Lamp automatically lights up at night and turns to full brightness when motion is detected in the range ≤ 6 mtrs, then dim to 5% brightness after 20 seconds of no motion.



When battery power is less than 30%:

Lamp automatically lights up at night and turns to full brightness when motion is detected in the range ≤ 6 mtrs and then turn off after 20 seconds of no motion.

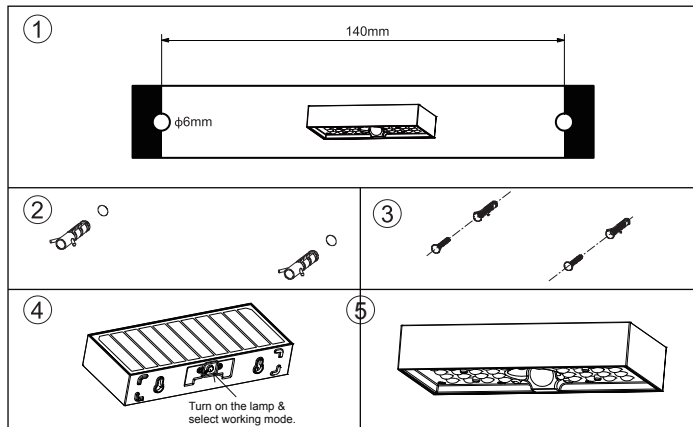


Mode B: Keep Lighting Mode

Lamp automatically lights up at night and keeps 50% brightness, after 5 hours or when battery power is less than 30%, lamp turns to energy saving mode: Lamp automatically turns to full brightness when motion is detected in the range ≤ 6 mtrs, then turns off after 20 seconds of no motion.



Installation



- ① Please use the measure card to mark holes position and drill 2 holes ($\phi 6$ mm, depth 50mm) with a spacing of 140mm.
- ② Fix the expansion plugs in the holes.
- ③ Fix the screws into the expansion plugs, allow the screws to protrude slightly around 4mm.
- ④ Turn on the lamp and set desired working mode.
- ⑤ Hang the lamp on the screws to secure it to the wall.

Notice

1. This is a solar powered lamp, please install it in a location where can get efficient sunlight.
2. Please note the lighting time depends on sunshine duration & work mode.
3. Built-in intelligent IC is with over-charge and over-discharge protection, safe and durable.
4. When the lamp is turned off, it still can get solar charging at day time.
5. The lamp is equipped with an internal battery pack, which is replaceable. If any need, please contact the seller for support.
6. Non-professionals please do not disassemble the lamp.
7. Please do not dispose the battery with household garbage to avoid explosion.

Package Content

1PC*Lamp	2PCS*Screws	1PC*Measure Card	1PC*User Manual