

Ledvion

EMERGENCY BULKHEAD

3 YEARS OF WARRANTY

Habraken 1205
5507 TB Veldhoven
The Netherlands
www.ledvion.com

LVE10003

EN WARNING NOTE!

Attention

Suitable for mounting on normally flammable surface. Green LED indicator indicates battery charging mode. Suitable for indoor use, wall mounted. If the external flexible cable or cord of this luminaire is damaged, it shall be exclusively replaced by the manufacturer or his service agent or a similar qualified person in order to avoid a hazard. The battery is non-replaceable.

NL WAARSCHUWING!

Attentie

Geschikt voor montage op normaal ontvlambare ondergrond. Groene LED-indicator geeft de oplaadmodus van de batterij aan. Geschikt voor gebruik binnenshuis, wandmontage.

Als de externe flexibele kabel of het snoer van deze armatuur beschadigd is, moet deze uitsluitend worden vervangen door de fabrikant of zijn serviceagent of een vergelijkbaar gekwalificeerd persoon om gevaar te voorkomen. De batterij is niet vervangbaar.

ES ADVERTENCIA!

Atención

Apto para montaje en superficies normalmente inflamables. El indicador LED verde indica el modo de carga de la batería. Apta para uso en interiores, montada en la pared.

Si el cable o cordón flexible externo de esta luminaria está dañado, deberá ser sustituido exclusivamente por el fabricante o su agente de servicio o una persona cualificada similar para evitar riesgos. La batería no es sustituible.

DE WARNUNG!

Beachtung

Geeignet für die Montage auf normal entflammaren Oberflächen. Grüne LED-Anzeige zeigt den Ladezustand der Batterie an. Geeignet für den Einsatz in Innenräumen, Wandmontage.

Wenn das externe flexible Kabel oder die Leitung dieser Leuchte beschädigt ist, muss es ausschließlich vom Hersteller oder seinem Kundendienst oder einer ähnlich qualifizierten Person ersetzt werden, um eine Gefährdung zu vermeiden. Die Batterie ist nicht austauschbar.

FR AVERTISSEMENT!

Attention

Convient pour un montage sur une surface normalement inflammable. L'indicateur LED vert indique le mode de chargement de la batterie. Convient pour une utilisation à l'intérieur, montage mural.

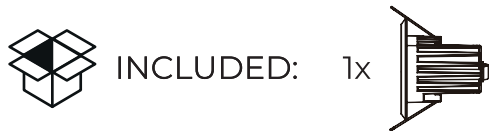
Si le câble ou le cordon flexible externe de ce luminaire est endommagé, il doit être remplacé exclusivement par le fabricant ou son agent de service ou une personne qualifiée similaire afin d'éviter tout danger. La batterie n'est pas remplaçable.

TECHNICAL DATA:

Model	LVE10003
Rated Voltage	AC220-240V~ 50/60Hz
Operating Mode	Maintained / Non Maintained
Rated Wattage	3.5W
CCT	5700K - 7200K
Discharge Duration	3H
Charge	16H
Emergency Luminance Flux	≥150Lm
Battery	LiFePO ₄ 3.2V 1500mAh
Power Factor	≥0.4
Operating Temp Range	40°C
IP Degree	IP20

Ledvion

EMERGENCY BULKHEAD



Ledvion
Habraken 1205
5507 TB Veldhoven
The Netherlands

www.ledvion.com

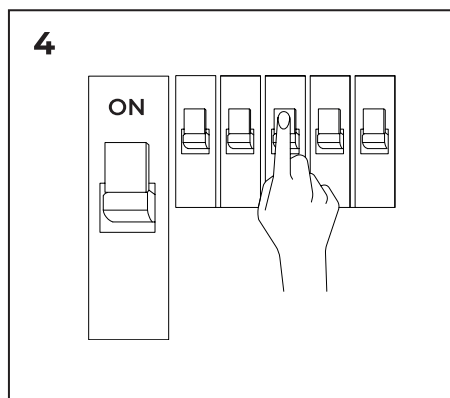
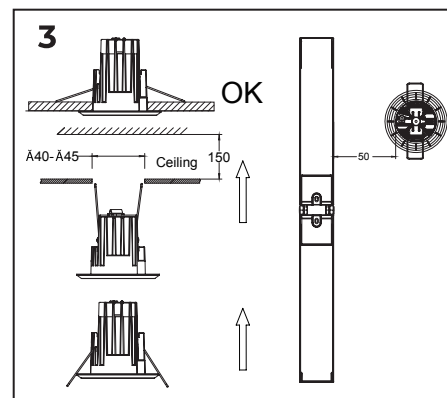
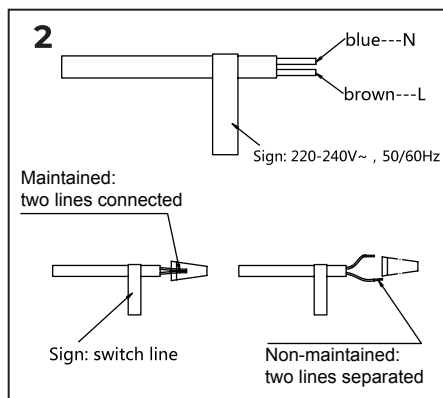
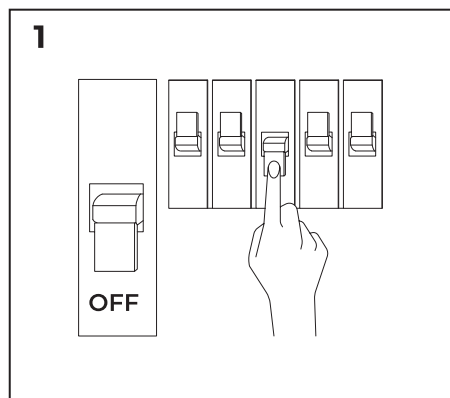
ILLUSTRATION:

1. This luminaire is an recessed ceiling light with a hole size of $\varnothing 40-45\text{mm}$
2. This luminaire can choose whether to use the devorative panel according to the user's needs. If the decorative panel is not needed, it can be rotated and removed without affecting the normal installation
3. When installing the luminaire, the user can select whether the battery and driving power supply are fixed according to the needs (with screws and expansion)
4. This luminaire can choose whether to connect external continuous and non-continuous function switch according to user needs. The default is continuous type
5. This luminaire has a self-test function, please refer to "TESTING" requirements and steps
6. Do not stare at the operating light source
7. the luminaire should be positioned so that prolonged staring into the luminaire at a distance closer that 0,014m is not expected

INSTALLATION INSTRUCTION DIAGRAM:

Installation only by persons with electro technical knowledge and experience

1. Opening as required: 40-45mm (image 3)
2. Wiring as required (table & image 2)
3. Place the battery and drive power supply in appropriate positions as required, and embed the lamp into the top surface (image 3)
4. Indicator: under the state of AC power, the battery is charged with green light, the battery is full with green indicator, and the red indicator is flashing when battery fails (see table)
5. In the emergency state, long pressing the test button can turn off the emergency function
6. Refer to the requirements and steps of "TESTING" for specific information



Line		Illustrate
AC	L	Brown connect "L"
	N	Blue connect "N"
Switch line		Maintained: connect two Switch lines Non-maintained: sepearate two lines

SOFTWARE FUNCTION:

- Main power function: When the lamp enters the charging mode after power-on, the indicator flashes green (on 1000ms off 1000ms). When the battery is full, the indicator changes from flashing to steady. When the lamp bead is open and the battery is short-circuited, the indicator will turn red (on 2000ms off 2000ms). When the time reaches 30 days, it will enter the monthly inspection mode, and when the time reaches 360 ±2 days, it will enter the annual inspection mode.
- Button to Emergenct test: Press and hold the button to switch from the main power to the emergency state. Release the key to restore the main power.
- Monthly inspection mode: Press the button twice within 2s, the light enters the monthly inspection mode, the indicator light turns yellow, and it returns to the main power after 30s. It is detected that the battery power is not enough for 3h within 30s, the indicator light will turn red (on 1000ms off 1000ms), and tge lamp will immediately return to the main power; when the battery or lamp bead fails, the indicator light turns red (on 2000ms off 2000ms; pressing the button once within 2s will exit the montly inspection mode and resume Go to main power mode.
- Annual inspection mode test: Press the button 3 times within 2s, the light enters the annual inspection mode, the indicator light turns yellow (on 1000ms off 1000ms), it returns to the main power after 3h. It is detected that the battery power is not enough for 3h within 3h, the indicator light will turn red (on 1000ms off 1000ms), and the lamp will immediately return to the main power; when the battery or lamp bead fails, the indicator light turns red (on 2000ms off 2000ms); pressing the button once within 2s will exit the annual inspection mode and resume Go to main power mode.

TESTING:

The emergency lightning must be inspected and testen regularly in accordance with local codes of practice. Note: For safety reasons test should be carried out during the day light hours. Also the testing should be doing in a dry environment and doen by a qualified person.

Automatic Test:

This product has a self-test function. When the lamp is used for about 30 days, the program will automatically turn into the monthly check state of the function, now the bicolor Led will be both flashing for about 30s. When the lamp is used for about 360 days, the program will automatically turn into the function annual inspection state and now the bicolor Led will be both lit normaly for 3h, if the emergency time does not reach 3h, now the red of the bicolor Led is flashing, meaning the emergency function is fault.

Emergency Shutdown:

Under normal emergency conditions, the luminaire can be turned off by pressing the test switch for 3-5 seconds.

Indicator	Color	Yellow	Green flash	Green	Red
	Status	Monthly and Annual inspection	Battery charging	Battery Fully Charged	Battery Failure

