



# Dryflow **Infinity**

Infinity Hand dryer

Wall Mounted



**Infinity Brushed silver**  
Code: DF1007

---

## General description

- Featuring an Aeroflex curved drying system, the Infinity finds the perfect balance between speed and sound output.
- Its DX3 RAPID-speed motor spins at an impressive 65,000 rpm, propelling a turbocharged air speed of 555kph - ranking The Infinity one of the fastest dryers available.
- At less than 10cm in depth, its ultra-slimline design fits perfectly into any washroom.
- Hygiene takes centre stage with the Infinity's unique double-filtered HEPA filter air cleaning system, capturing 99.5% of bacteria-sized particles from the air.
- The Dryflow Infinity also comes with the Connect+ plug-in system, making it a breeze to install, maintain, and service.
- The Infinity adjustable heat switch keeps the air warm in winter, turn it off in summer- it's that easy.

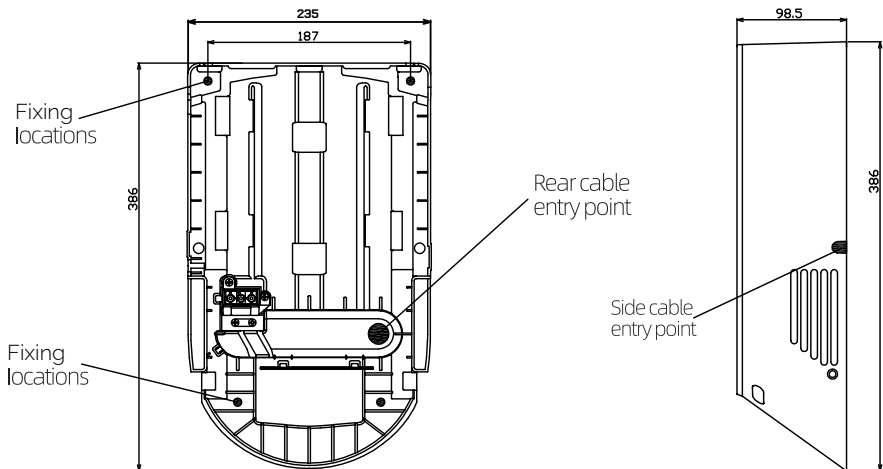
## Components and materials

- Built with long-lasting recyclable materials, the Infinity comes with a 10-year warranty and Dryflows FREE repairs for life guarantee, ensuring both sustainability and peace of mind for our customers.
  - This unit has a stainless steel shell, with a brushed finish and decorative strip.
  - It comes with a LED power lights near the sensor for power indication.
-

## Technical specifications

- Please leave hands under the dryer for 1 second to activate it. This unit can sense the vertical distance of objects from about 5 - 10cm.
- The Infinity has a DX3 RAPID-speed motor to dry the hands within 10 seconds.
- To mount the dryer, you will need screws and wall plugs for installation. Make sure to cut off the power when performing maintenance.
- This unit is suitable for use in hospitals, schools, colleges and universities, food and pharmaceutical manufacturers, bars, restaurants, airports, railways, offices, hotels, and other high traffic places.

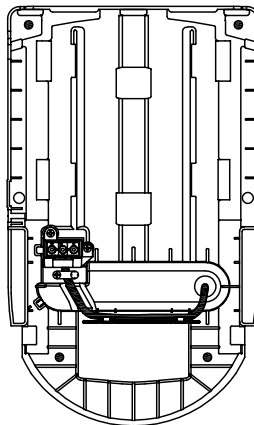
<b>Voltage</b>	AC220-240V / AC110-125V	<b>Installation type</b>	Wall mounting
<b>Frequency</b>	50/60 Hz	<b>Drying time</b>	10"
<b>Air velocity</b>	160m/s	<b>Air temperature (10 cm distance/22°C)</b>	40 °C (heater on) 30 °C (heater off)
<b>Rated power</b>	700 - 1,800 W	<b>Sound pressure (*) (at 2m)</b>	72 dBA
<b>Protection rating</b>	IPX4	<b>Dimensions</b>	386 x 235 x 98.5 mm



## Notes before installation

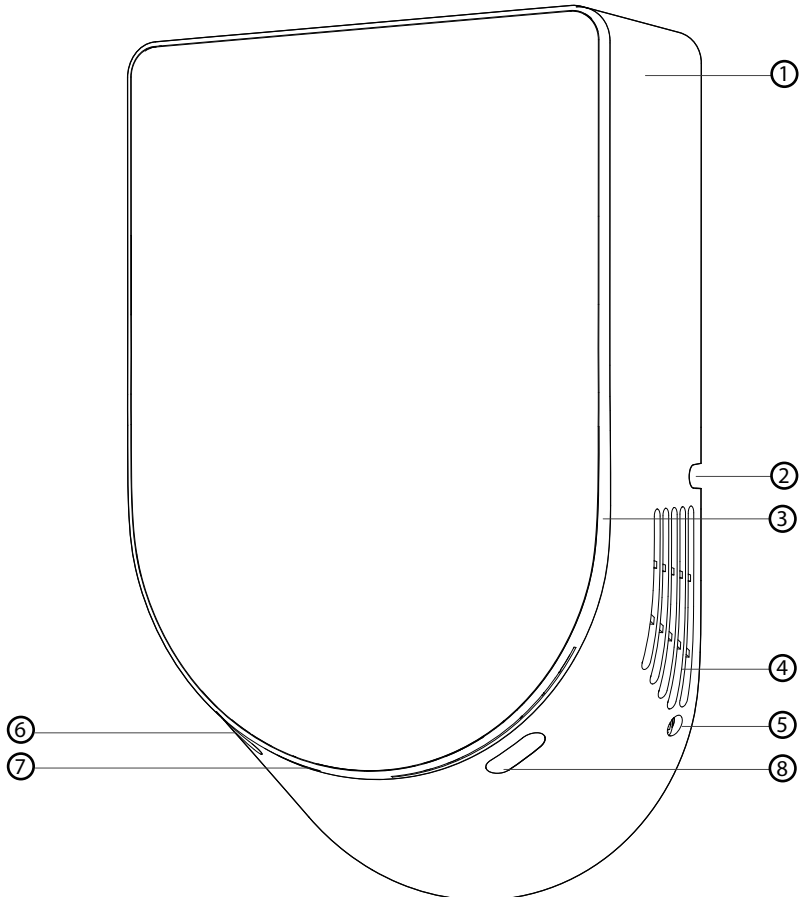
- Do not install in a bathroom with heavy moisture in order to avoid electrical shock.
- You must commission a professional electrician to install power lines, or else there is a risk of electric shock.
- Before performing maintenance, ensure you cut off all power to the unit to ensure your protection.
- Request the install of leakage circuit breakers for protection against fire hazards.
- Do not tamper, repair or make any alteration to this machine without authorization, otherwise there is a risk of electric shock, fire and other accidents.
- To ensure the air outlets can perform correctly, do not place anything closer than 400mm around the unit.
- Do not install the unit above stainless steel, artificial marble, or other shining surfaces, otherwise it will be prone to misoperation.
- The body should be firmly fixed to a smooth wall to avoid injuries caused by the decline of product or product damage.
- Do not install the unit in places with corrosive substances or flammable gases, it may cause fire or product failure and malfunction.
- Do not install the unit in dusty or high temperature environments, it may cause product damage.

Requires hard wire connection



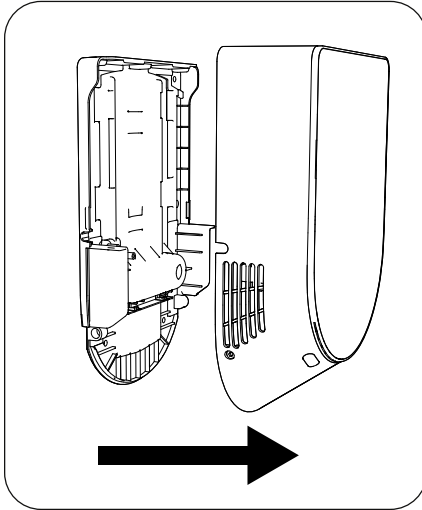
## Product Overview

- |   |                     |   |                  |
|---|---------------------|---|------------------|
| ① | Dryer Cover         | ⑤ | Screw Hole       |
| ② | Power Outlet        | ⑥ | Power LED Lights |
| ③ | Decorative Strip    | ⑦ | Air Outlet       |
| ④ | Louvered air intake | ⑧ | Sensor           |

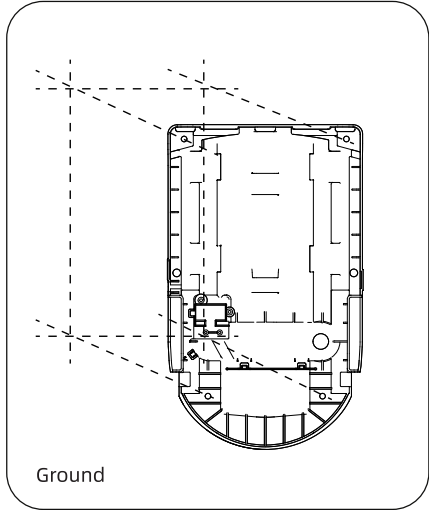


## Method of Installation

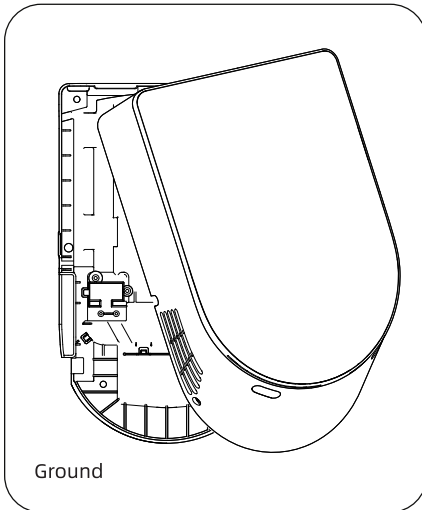
**Remove front casing from back plate**



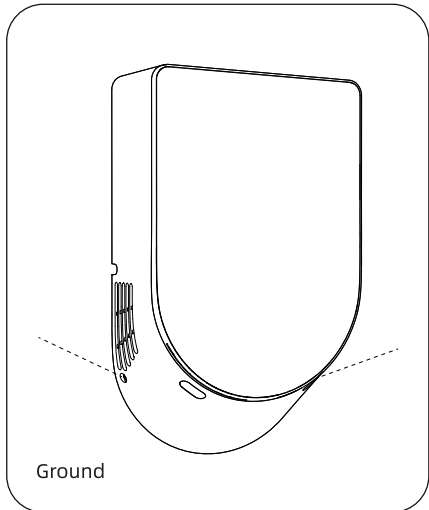
**Attach back plate to wall**



**Reattach front casing to back plate**



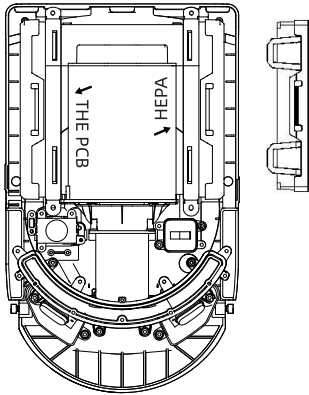
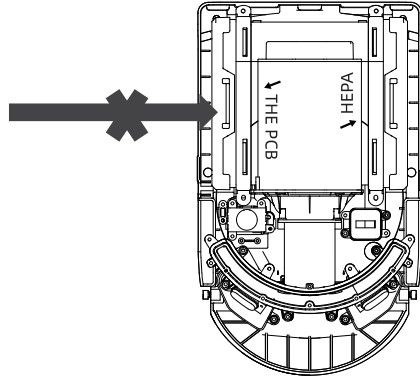
**Screw in security screws**



## Filter replacement

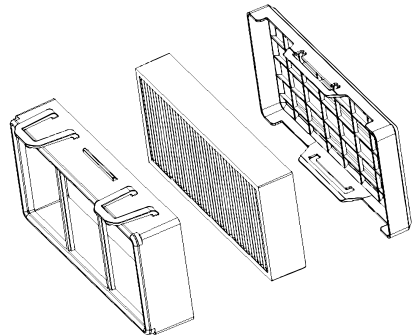
Note: If the air speed becomes slow, please replace the filter. We suggest you replace the filter every 3 months.

**ATTENTION: Do not remove the PCB side.  
Do not touch the wires on the PCB side.**



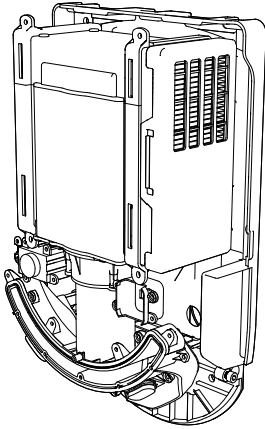
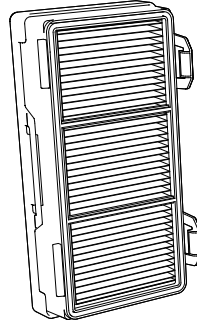
1. Open the left side HEPA cover.

2. Remove the filter from its cover.

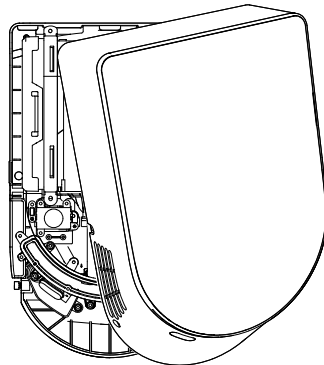


## Filter replacement

3. Replace the HEPA filter with a new one.



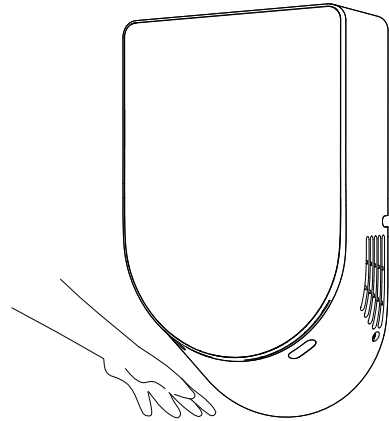
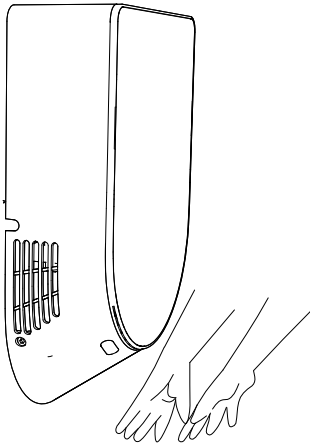
4. Attach the new filter and its cover back onto the left side of the dryer.



5. Install the whole machine back.

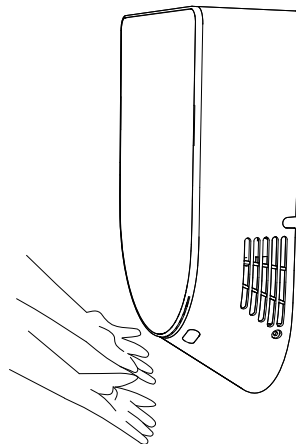
Instructions: How to use

1. Extend your hands to the air outlet.



2. Slowly move your hands up and down, wrist to fingertips. Letting the air blow the water off your hands.

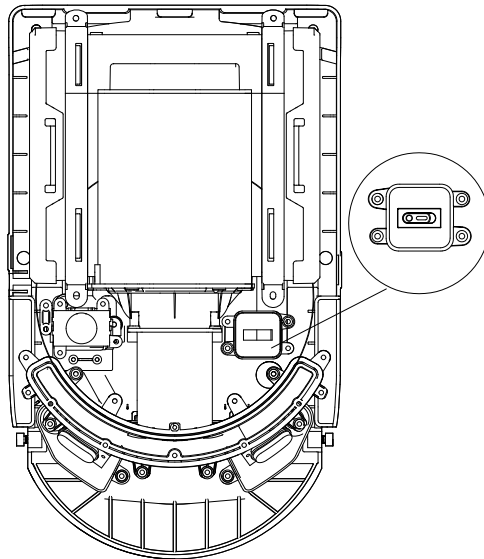
3. Continue this for about 10 seconds, until hands are dry.





- This product has two drying modes, hot and cold. Users can manually switch from hot air to cold air depending on the temperature requirements.
- It is recommended to use the switch to turn on the hot air in cold weather when the temperature is lower than 25 °C. Turn off the hot air on hot days of 25 °C or more.

Position of the hot air switch



## Care

1. Cut off the power and clean the cover with natural detergent when it is dirty. Acid and alkaline bathroom detergent and BEN, lacquer thinner, abrasive cleaners etc. should not be used.
2. Nylon brushes and other friction cleaning tools should not be used to avoid scratching the cover.
3. When cleaning the cover, prevent water from getting into the machine to avoid electric shock or short circuit.
4. It is best to cut off the power when off duty, to extend the service life.
5. If the power cord is damaged, it should be replaced with the same specific power cord from by a qualified professional.
6. If the machine breaks down, cut off the power quickly, stop use, and hire a professional to repair it.

## Terms of Guarantee

- The warranty for this unit is 10 years from the time of purchase.
  - During its warranty period, a unit can be returned to us and replaced or fixed free of charge, this includes all parts and labour and the cost of returning the unit to you.
  - Outside the warranty period, we will cover all labour costs, all you will pay for are the parts and transportation.
  - Parts prices are minimal, and certainly much cheaper than a new dryer. We will always let you know the full cost before you purchase, so you are able to make a fully informed decision.
- 
- The hand dryer must be installed by an approved electrician in accordance with the manufacturing guidelines and registered online at [www.dryflow.com/register](http://www.dryflow.com/register) within 28 days of completion of the works, any failure to do this will result in a void of guarantee.
  - This warranty is in addition to and supplements your statutory rights and those rights are not affected in any way. If you do not register for the extended warranty within 28 days then the standard warranty will apply.

### What's Covered?

- Dryflow guarantees that our hand dryers are free from defects at the time of purchase. For this Lifetime Guarantee to apply you must follow the care and use instructions provided with your product.

### What's Not Covered?

- This guarantee does not cover damage caused by water damage, accident, misuse, abuse or damage beyond fair wear and tear.

### Who's Covered?

- The original purchaser of the product is covered by this guarantee. Cover will cease should the product be sold or otherwise transferred to any other user.



## Notice

If the supply cord is damaged, it must be replaced by a qualified persons in order to avoid a hazard.

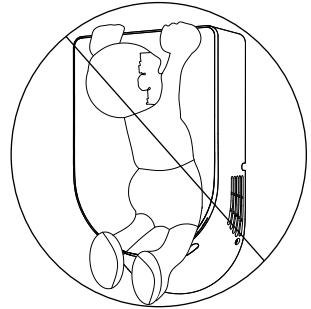
This appliance can be used by children aged from 8 years and above and persons with reduced physical, sensory, or mental capabilities or lack of experience and knowledge if they have been given supervision or instruction concerning use of the appliance in a safe way, and understand the hazards involved.

Children shall not play with the appliance.

Do not use the machine below -10C or above 40C.

Do not use the machine in places where it is directly sprayed with water.

Do not use the machine in strong direct sunlight.



## Certificates and Qualifications



(\*) CB Scheme valid only for the hand dryer.

Dryflow, reserves the right to make changes and/or modifications to the products and their specifications without prior notice