

# Elster Jeavons J120

## Low Pressure Cut Off Valve

### Brief information

**Operation:** The J120 is a safety valve which ensures the integrity of an installation in the event of loss of gas pressure. In the event of pressure drop, the J120 is activated and shuts off the gas supply to the downstream appliances until the manual or automatic reset mechanism is operated. The J120 is available in sizes from 3/4" to 2" and supplied factory set.

**Application:** The J120 ensures the safety and integrity of an installation in the event of unacceptably low gas pressure or failure of the gas supply. In such a situation, burners could become extinguished and, upon restoration of the supply, gas could pass through open cocks. To prevent this, the J120 operates at a pre-set gas pressure and automatically shuts off the supply. Upon restoration of the gas supply, all downstream burner cocks must be closed before the reset allows the gas to flow.

The J120 is designed for horizontal and vertical pipelines. It is suitable for operation with natural, liquefied petroleum and manufactured gases.

**Control:** To commission the unit, all downstream gas cocks must be closed. For units fitted with manual reset the ring of the reset mechanism being can now be pulled. Pulling the ring allows gas pressure to bypass the closed valve and restore the downstream pressure, thus lifting the diaphragm valve unit. Units with automatic reset will do the same, but at a slower rate. Burner cocks can then be opened and the appliance operated. If the pressure falls below the pre-set level of the shut off valve, then the valve closes automatically.

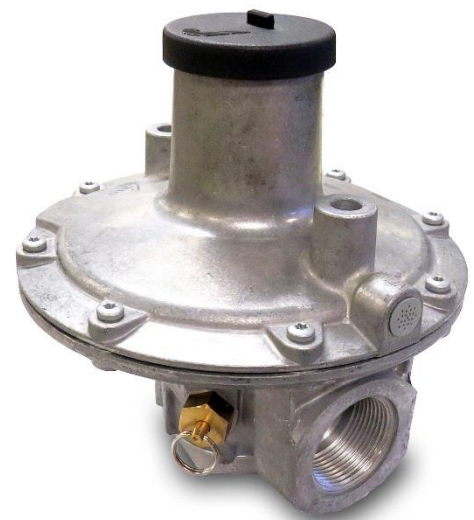
### Technical Data:

Maximum inlet pressure: 350 mbar (5 psig)

Factory set at 10 mbar or 15 mbar (4" or 6"wg)

**Servicing:** The J120 has been designed for ease of access, inspection and servicing of all internal components. A standard soft spares kit is available for all sizes.

3/4" - 1"	reference number SK2006-01
1 1/4" - 1 1/2"	reference number SK2008-01
2"	reference number SK2009-01.



## FEATURES & BENEFITS

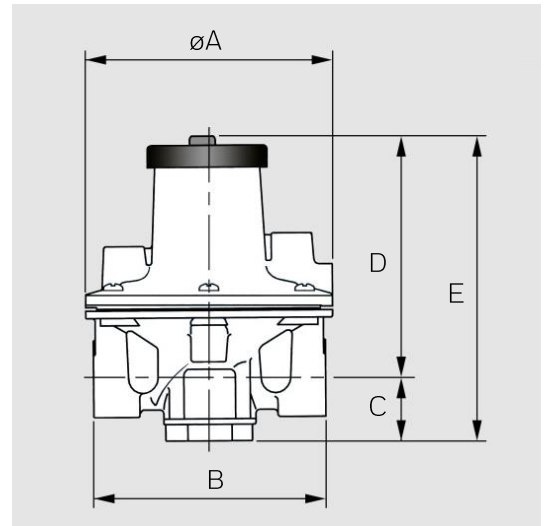
### Main Features

- Sizes 3/4", 1", 1 1/4", 1 1/2" & 2".
- Temperature range - 20°C to +70°C
- Threaded connections to BS EN 10226 (ISO 7) or NPT (other threads may be available upon request).
- Manual or automatic reset mechanism.
- Internal impulse
- Spring loaded
- Quick release spring adjustment

# J120: Low Pressure Cut-Off Valve

## Dimensions and Weights

SIZE	A	B	C	D	E	Weight (Kg)
3/4" & 1"	134	125	34	132	166	1.05
1 1/4" & 1 1/2"	185	155	45	149	194	1.95
2"	234	200	52	167	219	3.15



## Material Specifications

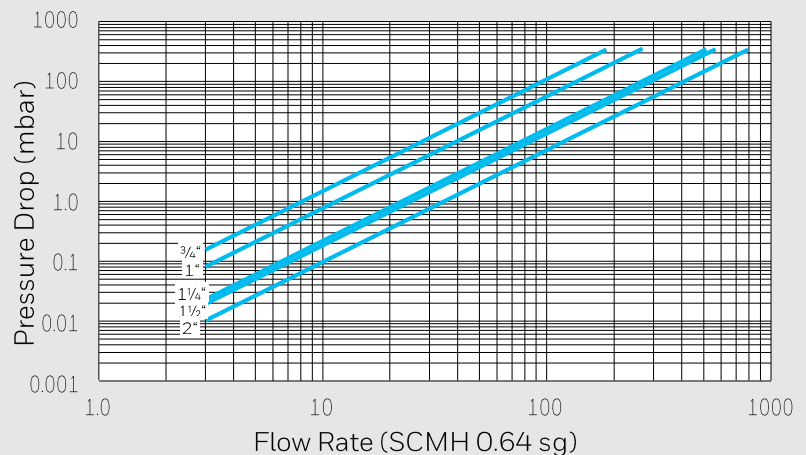
A summary of the material specification for the J120 is given for reference. All material has been selected to provide maximum durability and reliability in service.

Components	Specification
Body, cover, spring adjusting bush, spring adjusting screw, valve assembly and bottom plug.	Aluminium Alloy
Top cap, locking lever, spring holder and diaphragm spacer.	Acetal Resin (Top cap and locking lever UV stabilised)
Diaphragm plate.	Mild steel
Main diaphragm, secondary diaphragm, valve disc and "O-rings.	Nitrile (Buna)
Springs	Carbon Steel
Reset Mechanism	Brass with integral nitrile seal

## Quality:

Honeywell is committed to a programme of continuous quality enhancement. All equipment designed and manufactured by Honeywell benefits from the group's quality assurance standards which are approved to EN ISO9001.

## Pressure Drop / Capacity



## Your Contacts:

United Kingdom  
 Elster Metering Ltd  
 Paton Drive, Tollgate Business Park,  
 Beaconside, Stafford, Staffs. ST16 3EF  
 T +44 1785 275200  
 F +44 1785 275305  
[www.elster-instromet.com](http://www.elster-instromet.com)  
[stafford.enquiries@honeywell.com](mailto:stafford.enquiries@honeywell.com)

Germany  
 Elster GmbH  
 Steinern St. 19 - 21  
 55252 Mainz - Kastel  
 T +49 6134 605 0  
 F +49 6134 605 223  
[www.elster-instromet.com](http://www.elster-instromet.com)  
[info@GE4N@honeywell.com](mailto:info@GE4N@honeywell.com)

Elster is a registered trade mark  
 of Honeywell International Inc.  
 J1201EN | 04 | 01/17  
 © 2017 Honeywell International Inc.

**Honeywell**