



CENTRA ZRxxMA / ZRxxxFA

4-WAY ROTARY VALVES PN 6

PRODUCT DATA



APPLICATION

For water temperature control in heating and air conditioning applications. The special valve characteristics are especially designed for an accurate control of supply water temperature in heating and air conditioning systems. In combination with M6061/VMM and M7061/VRM, the rigid construction guarantees a reliable operation over the whole lifetime.

FEATURES

- Chrome-plated plug for long life-span
- Optimized characteristic for supply water temperature control
- Reliable mounting for electrical actuators
- Clear position indicator
- Wide range of flow rates with suitable actuators

SPECIFICATIONS

Nominal static pressure	6 bar, 600 kPa
Maximum pressure drop	depending on type (see section "Specification and Order Number" on page 2)
Leakage rate	1% of k_{vs}
Ports	Internal threads / flange in accordance with DIN EN 1092-2 depending on type (see section "Specification and Order Number" on page 2)
Angle of rotation	90 °
Flange	according DIN 2531
Packing	Double o-ring sealing
Material body	Cast iron
Material inner parts	Chrome-plated cast iron
Medium	Heating water according to VDI 2035 (oxygen concentration less than 0.2 g/m ³ , pH 8...9.5), glycol-water mixtures (max. 50% glycol)
Water temperatures in the valve	2...130 °C (DN200: 2...110 °C), non-condensing
Weight	depend on type (see sections "Dimensions of ZRxxMA (mm)" and "Dimensions of ZRxxxFA (mm)" on page 3)
Flow characteristic	equal percentage

SPECIFICATION AND ORDER NUMBER

DN	OS Number Internal Thread	OS Number flange	kVS [m³/h]	Δp [kPa]
15	ZR15MA	-	4	100
20	ZR20MA	-	6,3	100
25	ZR25MA	ZR25FA	10	100
32	ZR32MA	ZR32FA	16	100
40	ZR40MA	ZR40FA	25	100
50	-	ZR50FA	40	100
65	-	ZR65FA	63	100
80	-	ZR80FA	100	100
100	-	ZR100FA	160	80
125	-	ZR125FA	250	50
150	-	ZR150FA	400	40
200	-	ZR200FA	630	30

SUITABLE ACTUATORS

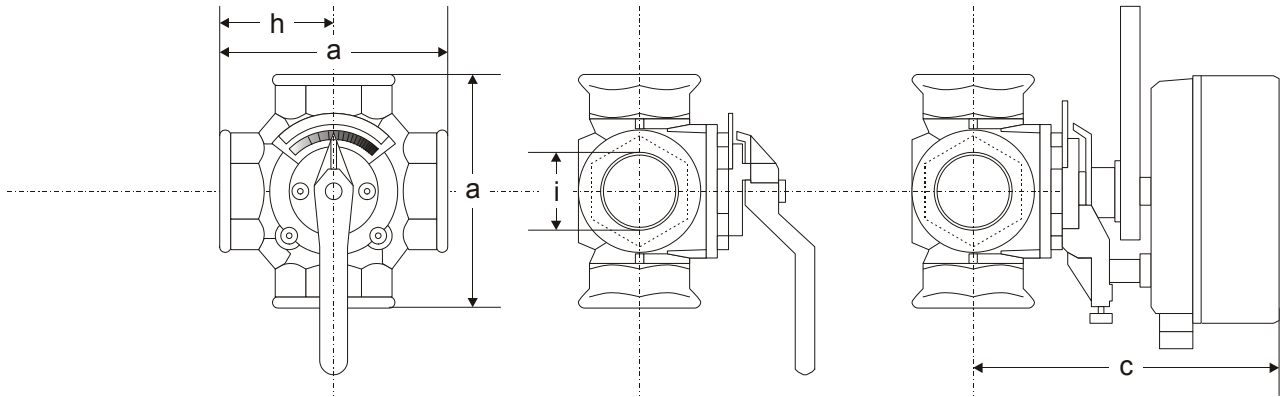
M6061A/VMMxx-24 (24V; floating); M6061L/VMMxx (230/240V; floating); M7061E/VRM20 (0/2...10V modulating)

OS Numbers

DN	actuator 24 Vac floating M6061A/VMMxx-24			actuator 230 Vac floating M6061L/VMMxx			actuator 0/2...10 Vdc modulating M7061E/VRM20
	20 Nm	30 Nm	40 Nm	20 Nm	30 Nm	40 Nm	20 Nm
15	M6061A1021 VMM20-24			M6061L1027 VMM20			M7061E1020 VRM20
20							
25							
32							
40							
50							
65							
80		M6061A1039 VMM30-24		M6061L1035 VMM30			
100							
125							
150							
200			M6061A1047 VMM40-24			M6061L1043 VMM40	

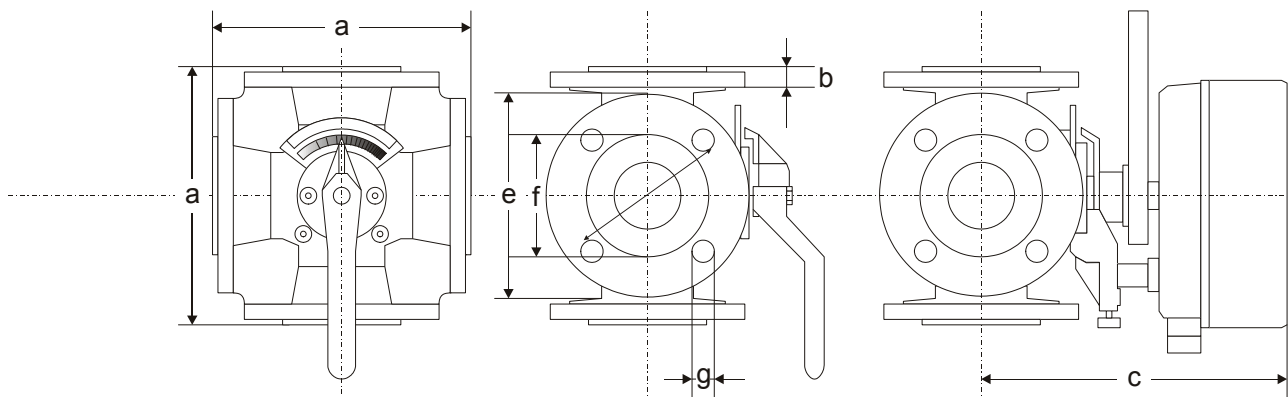
DIMENSIONS OF ZRxxMA (MM)

type	DN	a	c	SW	h	i	net weight
ZR15MA	15	110	179	41	55	R1/2"	2.4 kg
ZR20MA	20	110	179	46	55	R3/4"	2.5 kg
ZR25MA	25	115	179	50	58	R1"	2.6 kg
ZR32MA	32	140	188	60	70	R1 1/4"	4.3 kg
ZR40MA	40	150	188	65	75	R1 1/2"	4.5 kg



DIMENSIONS OF ZRxxxFA (MM)

type	DN	a	b	c	d	e	f	g	net weight
ZR25FA	25	150	15	179	75	100	60	4x11	4.8 kg
ZR32FA	32	160	16	188	90	120	70	4x14	7.6 kg
ZR40FA	40	170	16	188	100	130	80	4x14	8.5 kg
ZR50FA	50	190	16	202	110	140	90	4x14	11.0 kg
ZR65FA	65	210	16	219	130	160	110	4x14	14.4 kg
ZR80FA	80	250	18	219	150	190	128	4x18	24.3 kg
ZR100FA	100	270	18	240	170	210	148	4x18	32.9 kg
ZR125FA	125	310	18	267	200	240	178	8x18	49.0 kg
ZR150FA	150	330	20	274	225	265	202	8x18	57.0 kg
ZR200FA	200	390	22	314	280	320	258	8x18	84.0 kg



OPERATION

The valve controls a mixing water temperature with a rotating plug. The plug adjusts with two control curves the water flow of two inputs. The required flow water temperature is achieved by adding a proportion of return water to the boiler hot water. For optimal control performance, the ZR has special control characteristics.

MOUNTING

