

Energy Efficiency
— Made in Germany

Scope of Delivery:

- Sensor head
- 24V Powerpack for system connection
- accessories for all installation options

Technical Data

- Product-No. 102788 (white) 102794 (black)
- Maximum installation height: 5m
- Output light value: 10mA active and passive.
- Output signal presence: 50mA dry contact
- Power supply: 15-26,5V DC
- Power consumption at 24V: 48 mW
- Ambient temperature: 0-50°C
- IP 41
- Activation time (On-time) 10 sec

Nano



12mm

Micro



17mm

Mini



25mm

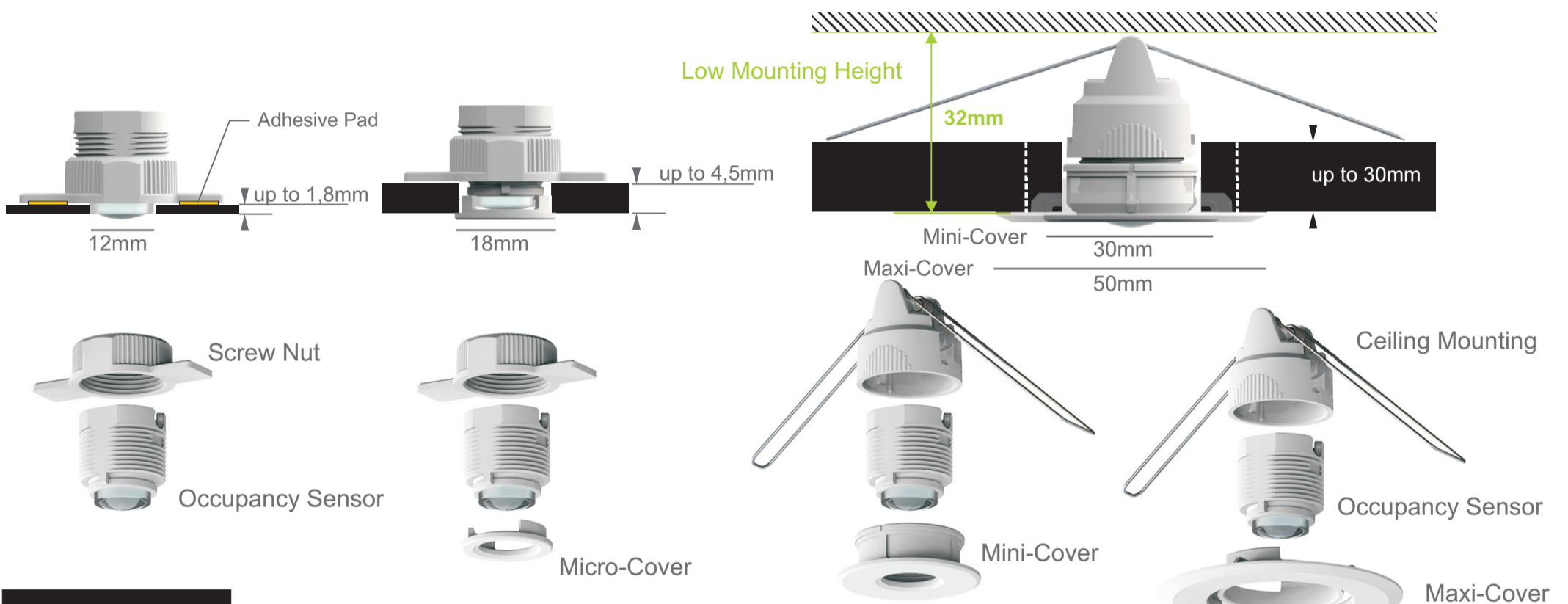
Maxi



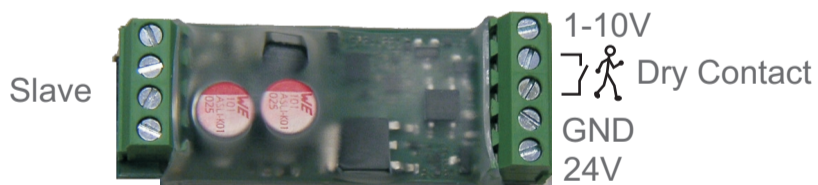
38 - 45mm

4 installation options

Ceiling Cutout / Hole Diameter

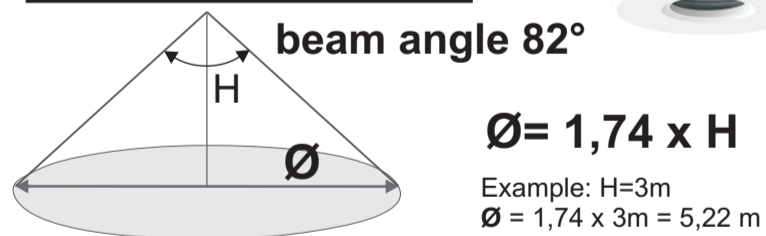


Installation



Powerpack dry contact:
Dimensions: 50 mm(L) x 20 mm(B) x 14 mm(H)
Connection: Terminal screw
• single-wire 1,5 mm²
• fine-wire 1 mm²

Observation Area



Observation Area Extension

