

BALDACHIN

27-Jul.-2016

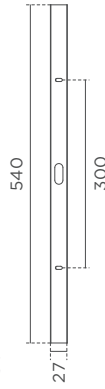
600MM

CE IP20

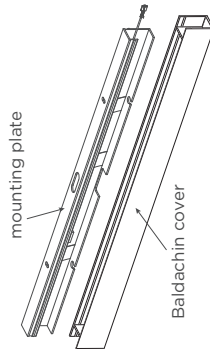
White texture 90052007

Black texture 90052008

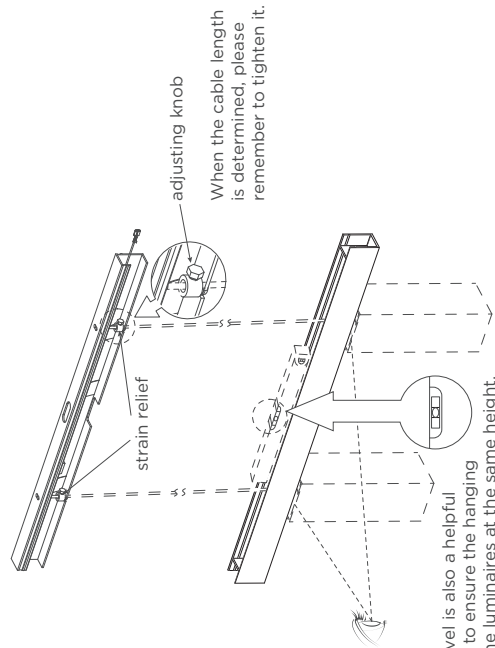
mounting plate dimension:



①

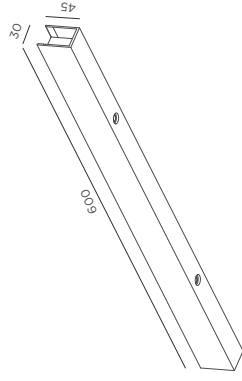


②



A level is also a helpful tool to ensure the hanging of the luminaires at the same height.

DIMENSIONS

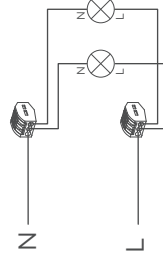


MOUNTING INSTRUCTION

- ① Remove the mounting plate from the baldachin cover.
- ② Adjust the cable of lights to desired length. If you need the lights be horizontal alignment, the baldachin cover can be a helpful judgement tool.
- ③ Fix the mounting plate on the ceiling with screws. If you need to align the orientation of the light, fine-tuning of strain relief direction to achieve adjustment.

POWER CONNECTION

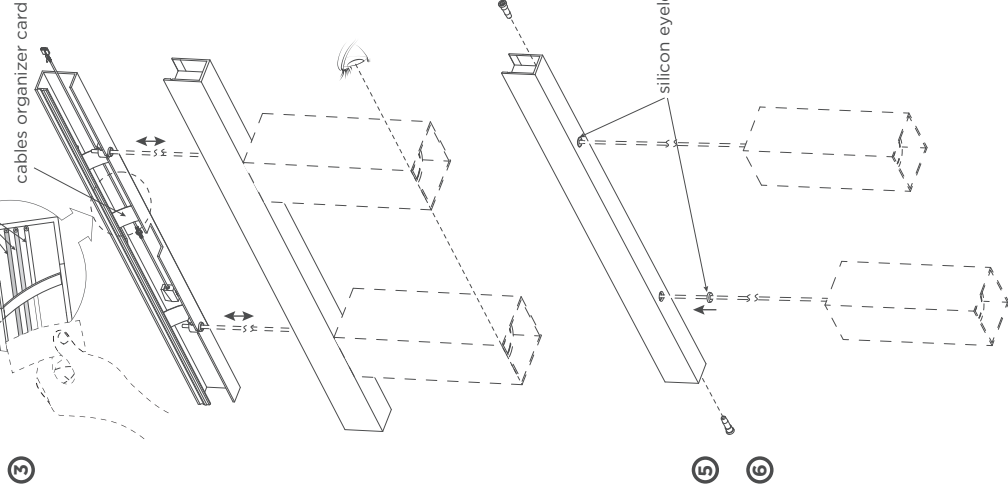
Connect the power



Baldachin cover earthing plug:



- ⑤ Lock the baldachin cover on the mounting plate with two plastic screws.
- ⑥ Put the silicon eyelets in the cable outlets.



INSTALLATION INSTRUCTIONS



WEVER & DUCRÉ
LIGHTING

www.weverducre.com

BALDACHIN

27-Jul.-2016

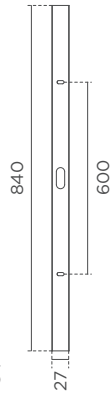
900MM

CE IP20

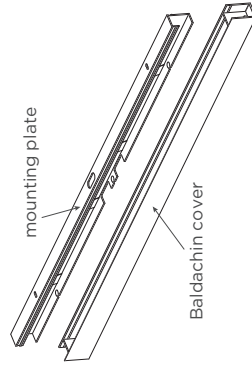
White texture
Black texture

90052009
90052010

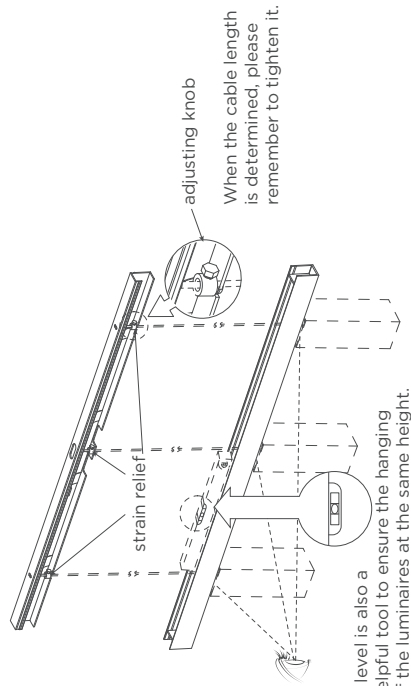
mounting plate dimension:



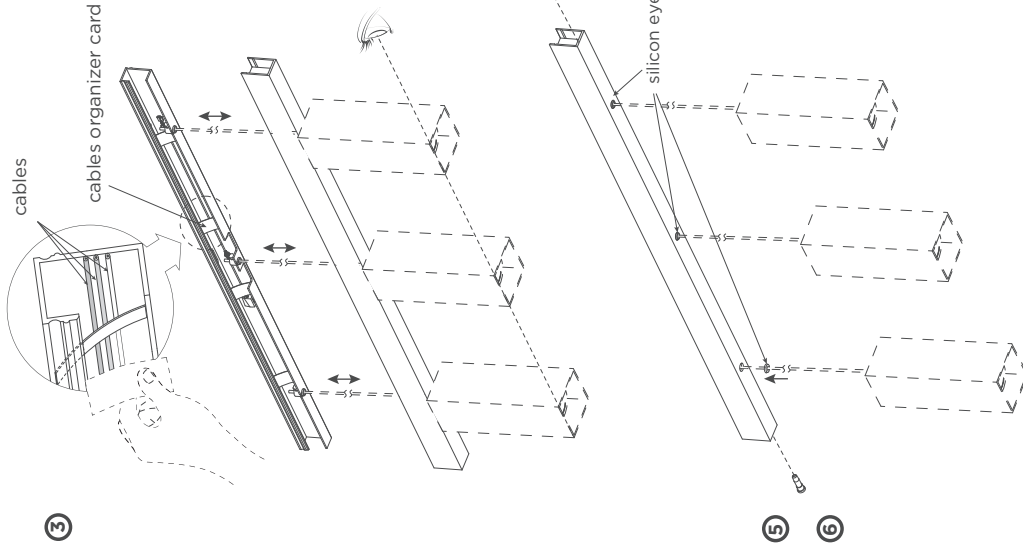
1



2

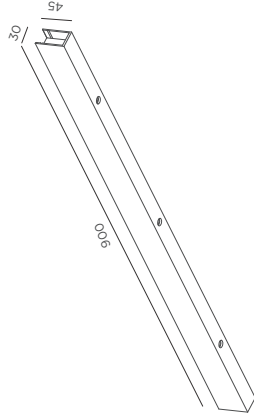


A level is also a helpful tool to ensure the hanging of the luminaires at the same height.



3

DIMENSIONS

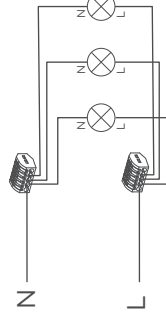


MOUNTING INSTRUCTION

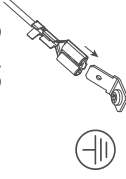
- 1 Remove the mounting plate from the baldachin cover.
- 2 Adjust the cable of lights to desired length. If you need the lights be horizontal alignment, the baldachin cover can be a helpful judgement tool.
- 3 Fix the mounting plate on the ceiling with screws. If you need to align the orientation of the light, fine-tuning of strain relief direction to achieve adjustment.

POWER CONNECTION

Connect the power



Baldachin cover earthing plug:



- 4 Lock the baldachin cover on the mounting plate with two plastic screws.
- 5 Put the silicon eyelets in the cable outlets.



WEVER & DUCRÉ
LIGHTING

www.weverducre.com

INSTALLATION INSTRUCTIONS

BALDACHIN

27-Jul.-2016

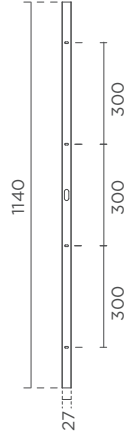
1200MM

CE IP20

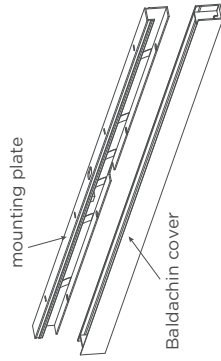
White texture
Black texture

90052011
90052012

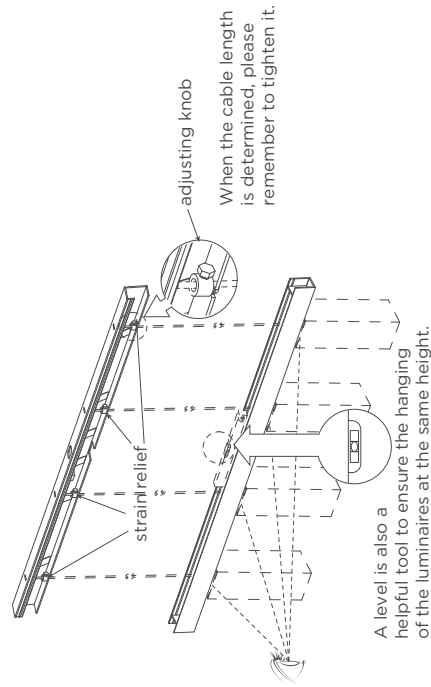
mounting plate dimension:



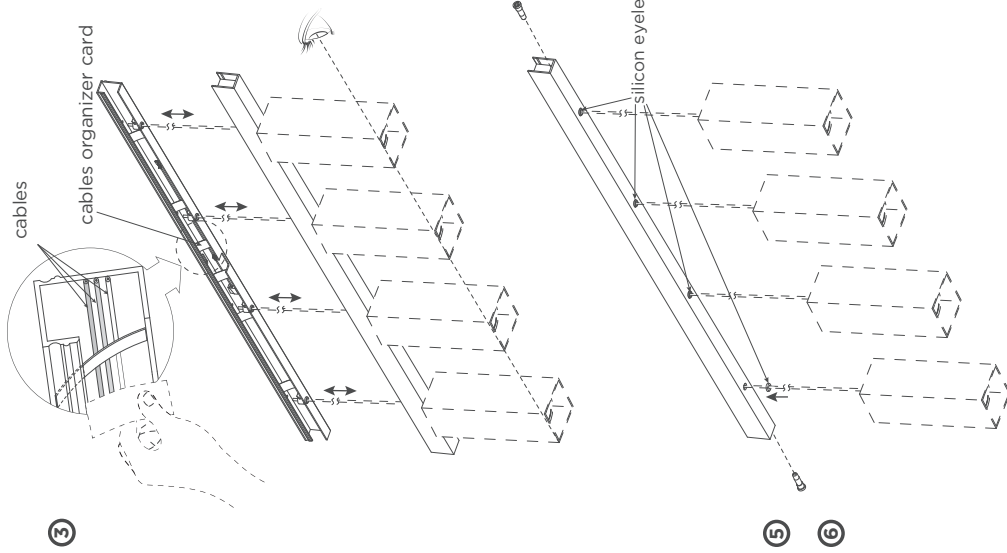
①



②



A level is also a helpful tool to ensure the hanging of the luminaires at the same height.

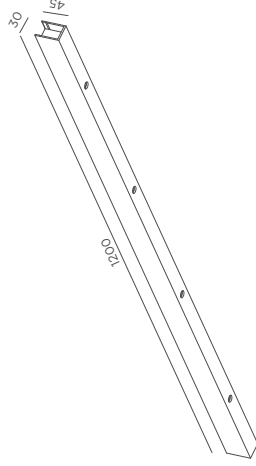


③

⑤

⑥

DIMENSIONS

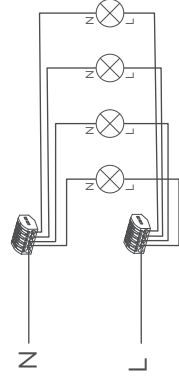


MOUNTING INSTRUCTION

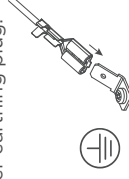
- ① Remove the mounting plate from the baldachin cover.
- ② Adjust the cable of lights to desired length. If you need the lights be horizontal alignment, the baldachin cover can be a helpful judgement tool.
- ③ Fix the mounting plate on the ceiling with screws. If you need to align the orientation of the light, fine-tuning of strain relief direction to achieve adjustment.

POWER CONNECTION

Connect the power



Baldachin cover earthing plug:



- ⑤ Lock the baldachin cover on the mounting plate with two plastic screws.
- ⑥ Put the silicon eyelets in the cable outlets.



WEVER & DUCRÉ
LIGHTING

www.weverducre.com

INSTALLATION
INSTRUCTIONS

BALDACHIN

27-Jul.-2016

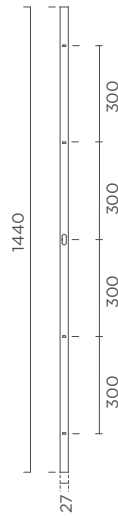
1500MM

CE IP20

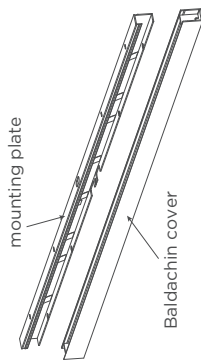
White texture
Black texture

90052013
90052014

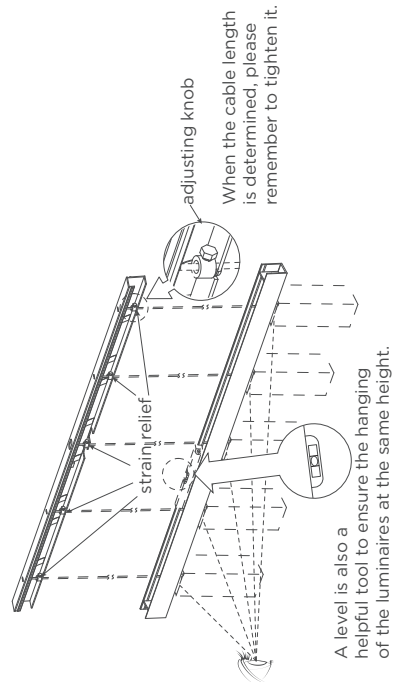
mounting plate dimension:



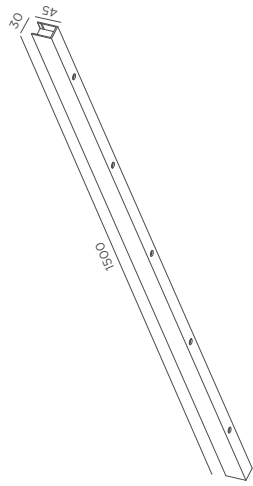
①



②



DIMENSIONS

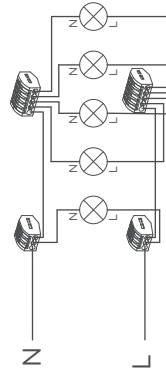


MOUNTING INSTRUCTION

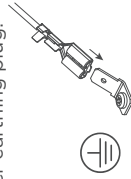
- ① Remove the mounting plate from the baldachin cover.
- ② Adjust the cable of lights to desired length. If you need the lights be horizontal alignment, the baldachin cover can be a helpful judgement tool.
- ③ Fix the mounting plate on the ceiling with screws. If you need to align the orientation of the light, fine-tuning of strain relief direction to achieve adjustment.

POWER CONNECTION

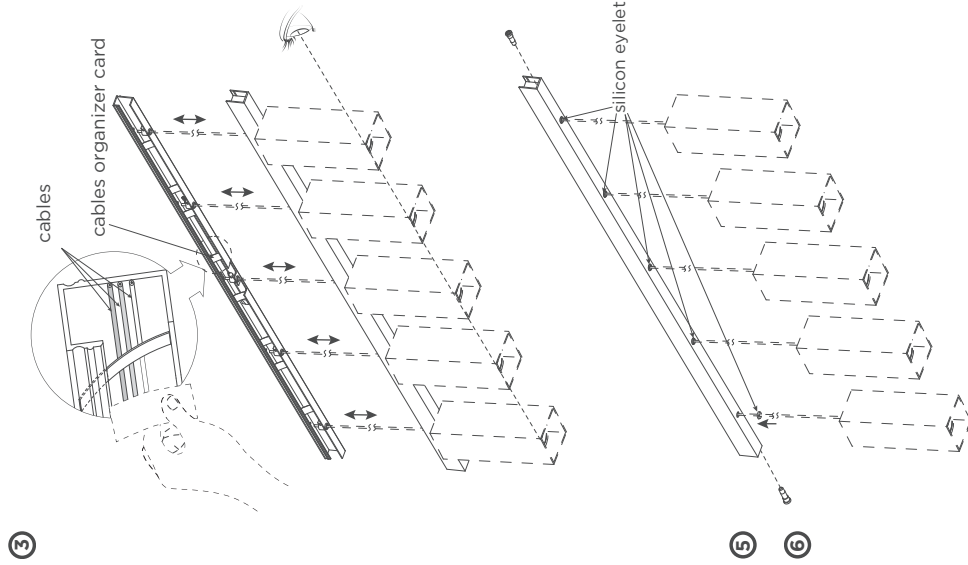
Connect the power



Baldachin cover earthing plug:



- ④ Lock the baldachin cover on the mounting plate with two plastic screws.
- ⑤ Put the silicon eyelets in the cable outlets.



WEVER & DUCRÉ
LIGHTING

www.weverducre.com

**INSTALLATION
INSTRUCTIONS**