



PX-0470-ANT

V0

April Wall fixture

Designer: N/A



Description

Wall light for outdoor use.

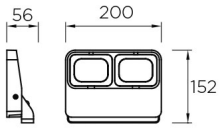
With adjustable lighting positioning. Easily adjustable light effect. Adjustable light source. Structure material: Aluminium. Structure finish: Urban grey. Diffuser material: Polycarbonate. Diffuser finish: Transparent. UV protection. Warranty: 5 Years.

Finish

Urban grey
Transparent

Material

Aluminium
Polycarbonate



IP54 IK10 MEDIUM ±90° 8

TECHNICAL CHARACTERISTICS

UGR	
S=0.250	
Ceiling/Cavity	0.7
Walls	0.5
Working Plane	0.2
Room dimensions	X=4H, Y=8H
UGR Crosswise	18.3
UGR Endwise	18.3

Light source

Light source: LED OSRAM
Output (W): 11W
Total power consumption (W): 13.9
Color temperature: LED warm-white 3000K
CRI: 80
Photobiological risk: RG1
Real Lumen: 1084
Qty Leds: 12
Lm/Real W: 78
Life Time: 36.000h L70B30
Bin / Grup: 7S/7T
MacAdam steps: 3
UGR: 16.9

GEAR

Brand: LISHUNDA
Gear included: Yes, electronic
Voltage / Frequency: 100-240/50-60Hz
Power Factor: 0.90

Luminaire

Double cable exit: No
Drainage: No
Recessed in-ground suitable for pedestrian crossing: No
Seaside: No
Uv Protection: Yes
Warranty: 5 Years

Logistics

Energy Efficiency: LED A++
EAN Code: 8435526866243
Net Weight (Kg): 0.900
Weight in Kg (packaged): 1.030
Packing: 210 x 70 x 170
Masterbox: 8

The photograph may not match the reference exactly. Please read the product description to identify the finish.



Luminaire

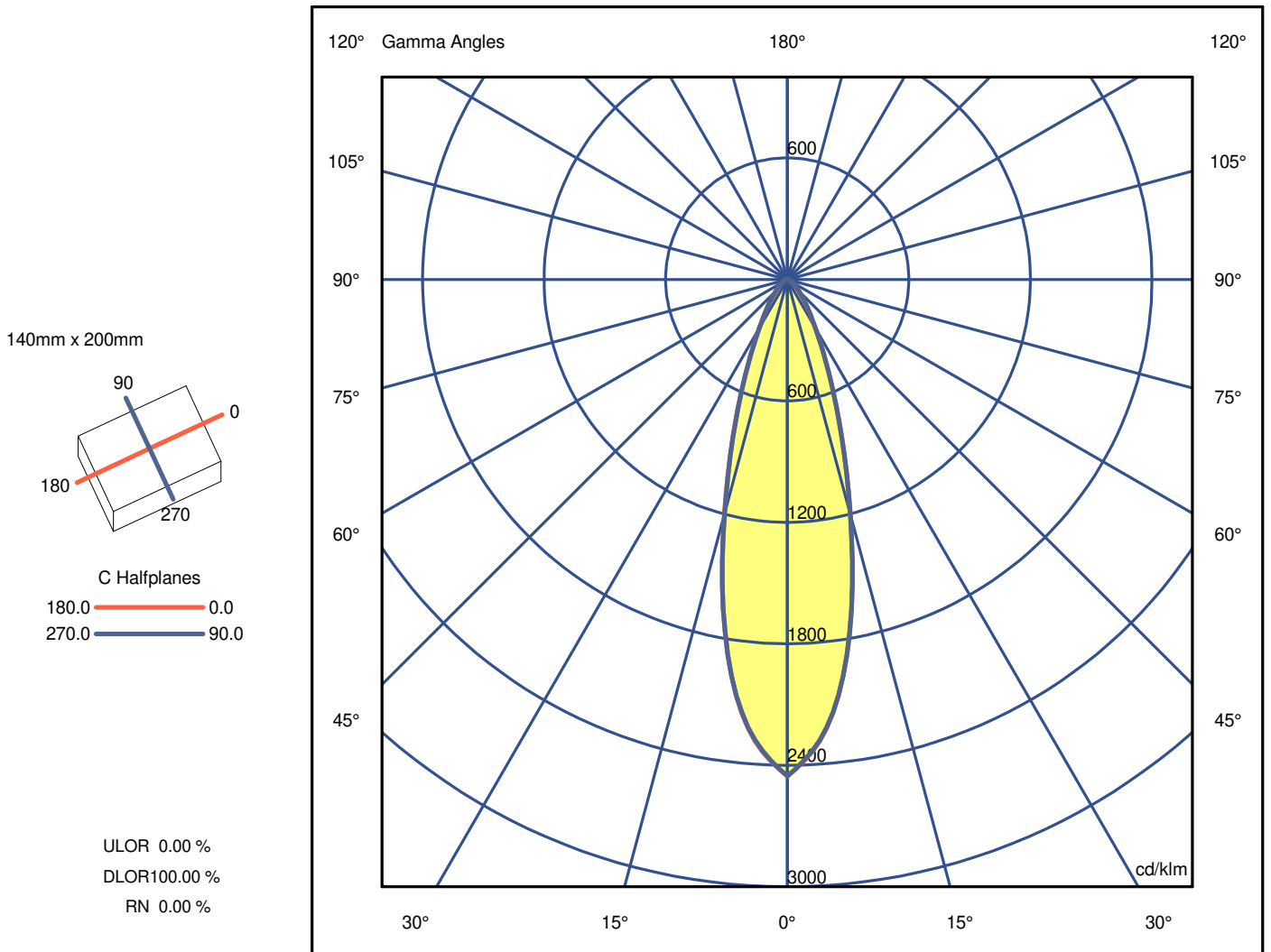
Code PX-0470-ANT
Name APRIL

Measurement

Code PX-0470-ANT
Name APRIL

Luminaire Flux	1084.11 lm	Luminaire Power	14.00 W	Efficacy	77.44 lm/W	Efficiency	100.00%
Sources Flux	1084.12 lm	Maximum value	2452.72 cd/klm	Position	C=0.00 G=0.00	CG	Double Symmetrical
Rectangular Luminaire		Length	140 mm	Width	200 mm	Height	30 mm
Rectangular Luminous Area		Length	45 mm	Width	160 mm	Height	0 mm
Horizontal Luminous Area	0.007200 m2			Emitting area on Plane 180°			0.000000 m2
Emitting area on Plane 0°	0.000000 m2			Emitting area on Plane 270°			0.000000 m2
Emitting area on Plane 90°	0.000000 m2			Glare area at 76°			0.001742 m2
Coordinate system	CG			Symmetry Type			Double Symmetrical
Date	04-04-2016			Maximum Gamma Angle			90
Measurement Distance	0.00			Measurement Flux			1084.12 lm
Operator	Asselum T2			Rated Voltage			
Temperature	25.00 °C			Rated Current			
Humidity	60.00 %			Photocell			
Notes							

Line		Code		Luminaire Lamps		Flux [lm]	Pow. [W]	Q.ty
		PX-0470-ANT		05-9896-Z5-CL		1084.12	14.00	1
C.I.E.	88 97 100 100 100			D DIN 5040	A60			
F UTE	1.00 A			B NBN	BZ 1			





Luminaire

Code PX-0470-ANT
Name APRIL

Measurement

Code PX-0470-ANT
Name APRIL

Luminaire Flux	1084.11 lm	Luminaire Power	14.00 W	Efficacy	77.44 lm/W	Efficiency	100.00%
Sources Flux	1084.12 lm	Maximum value	2452.72 cd/klm	Position	C=0.00 G=0.00	CG	Double Symmetrical

Luminous Intensity Table cd/klm Table 1/1

	C 0.00	C 15.00	C 30.00	C 45.00	C 60.00	C 75.00	C 90.00
G 0.0	2452.72	2452.72	2452.72	2452.72	2452.72	2452.72	2452.72
G 5.0	2224.74	2216.96	2218.17	2221.10	2219.95	2217.60	2220.67
G 10.0	1769.89	1769.54	1765.00	1764.42	1768.19	1753.89	1771.05
G 15.0	1201.84	1196.33	1201.93	1197.74	1203.34	1195.79	1198.94
G 20.0	750.02	739.75	739.85	736.57	730.65	731.33	747.75
G 25.0	453.71	454.57	451.36	448.74	455.74	453.68	452.90
G 30.0	274.54	275.71	279.60	278.84	279.53	278.82	275.67
G 35.0	180.07	178.72	178.47	180.29	179.50	180.18	182.47
G 40.0	116.82	114.94	115.36	116.37	118.10	117.04	118.65
G 45.0	78.56	77.97	79.53	79.01	80.35	80.21	80.09
G 50.0	56.18	56.11	56.05	56.54	57.02	56.26	57.88
G 55.0	40.01	39.58	39.84	39.77	40.30	39.66	40.64
G 60.0	28.43	28.22	28.64	28.24	28.71	28.63	28.81
G 65.0	20.00	20.39	20.21	20.18	20.36	20.16	20.20
G 70.0	13.80	13.65	13.64	13.59	13.78	13.64	13.89
G 75.0	8.44	8.52	8.61	8.46	8.57	8.61	8.49
G 80.0	3.99	4.19	4.26	4.29	4.11	3.95	3.75
G 85.0	1.19	1.16	1.08	0.90	0.83	0.71	0.73
G 90.0	0.33	0.35	0.35	0.36	0.35	0.35	0.35



Luminaire

Code PX-0470-ANT
Name APRIL

Measur.

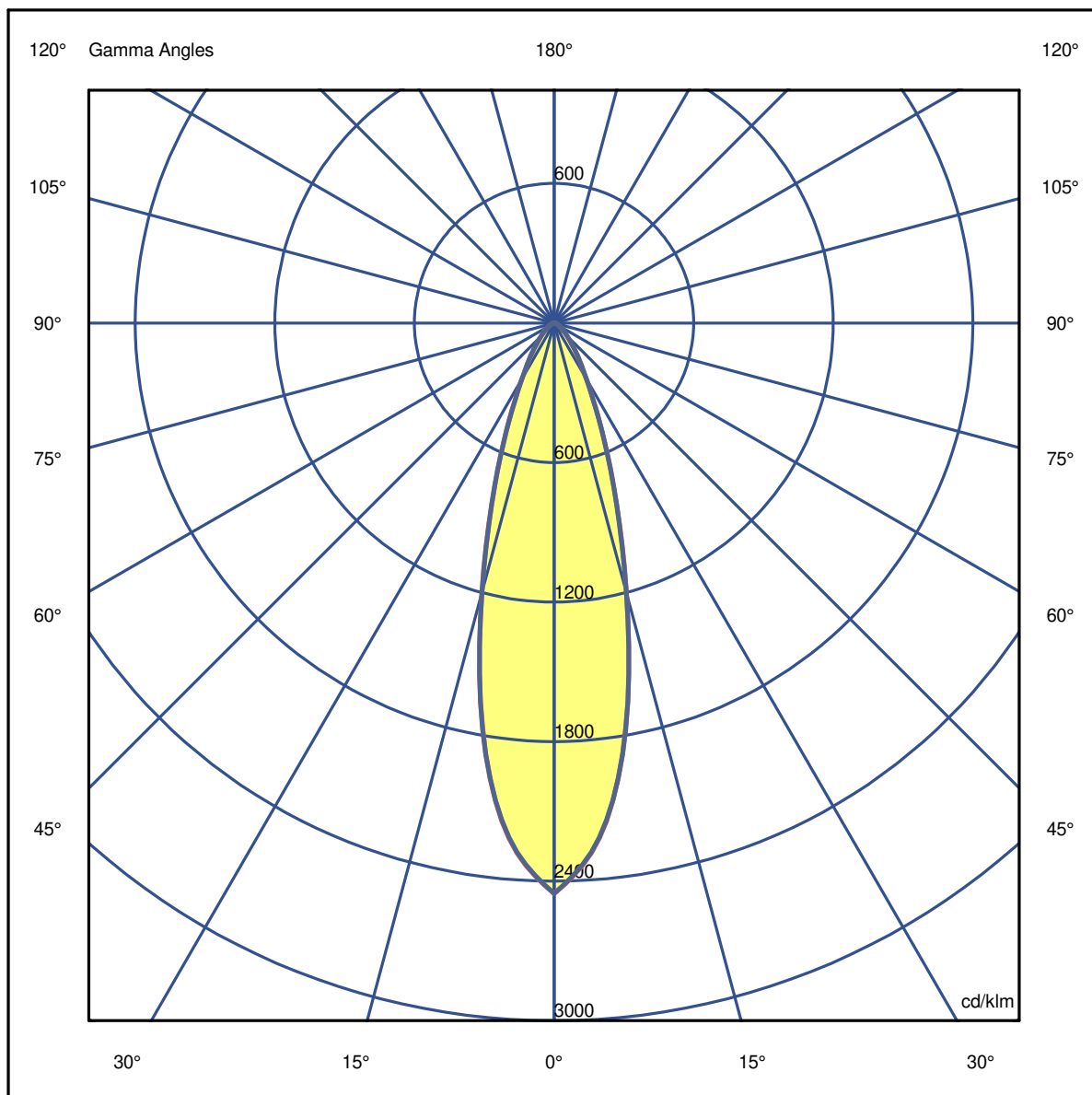
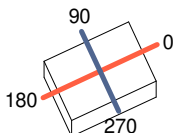
Code PX-0470-ANT
Name APRIL

Luminaire Flux	1084.11 lm	Luminaire Power	14.00 W	Efficacy	77.44 lm/W	Efficiency	100.00%
Sources Flux	1084.12 lm	Maximum value	2452.72 cd/klm	Position	C=0.00 G=0.00	CG	Double Symmetrical

140mm x 200mm

C Halfplanes

180.0 ——— 0.0
270.0 ——— 90.0





Luminaire

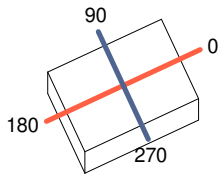
Code PX-0470-ANT
Name APRIL

Measurement

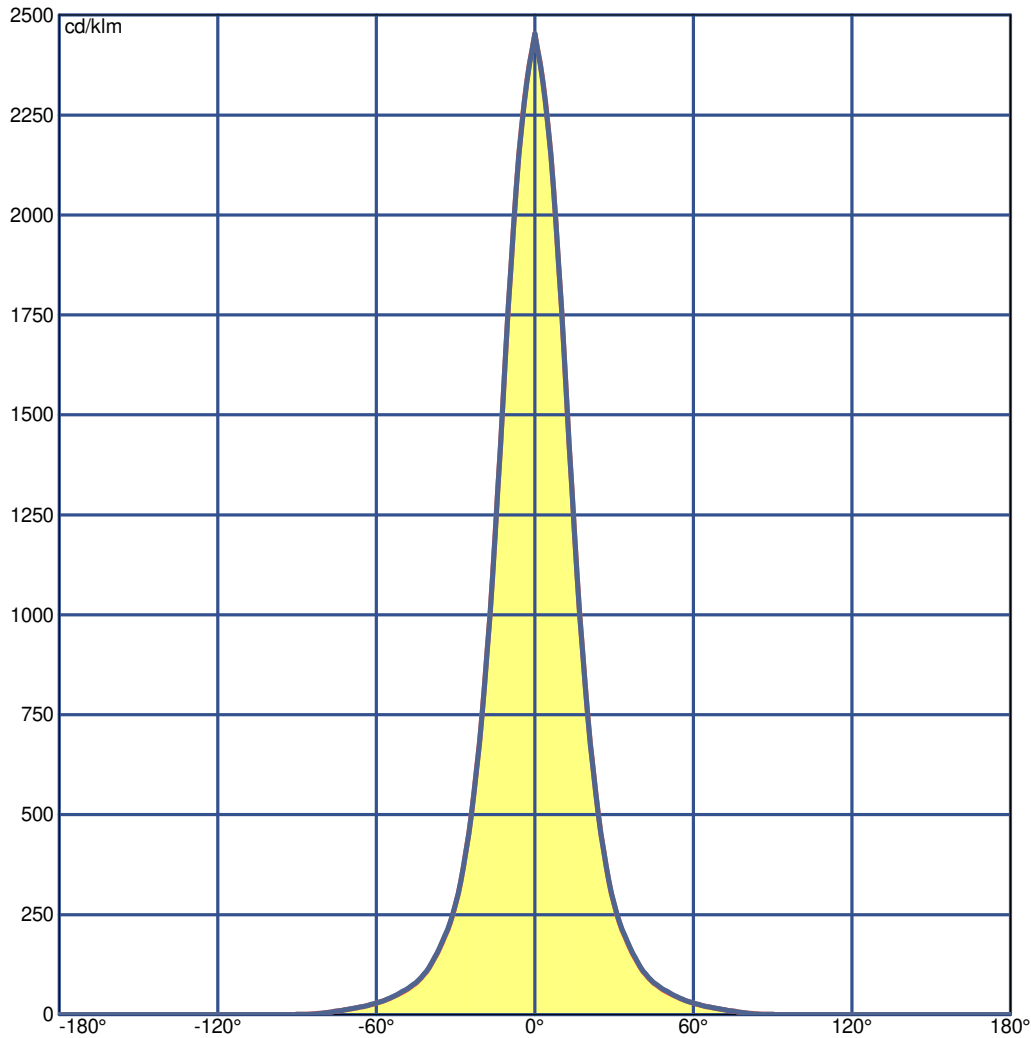
Code PX-0470-ANT
Name APRIL

Luminaire Flux	1084.11 lm	Luminaire Power	14.00 W	Efficacy	77.44 lm/W	Efficiency	100.00%
Sources Flux	1084.12 lm	Maximum value	2452.72 cd/klm	Position	C=0.00 G=0.00	CG	Double Symmetrical

140mm x 200mm



C Halfplanes
180.0 ——— 0.0
270.0 ——— 90.0





Luminaire

Code PX-0470-ANT
Name APRIL

Measurem.

Code PX-0470-ANT
Name APRIL

Luminaire Flux	1084.11 lm	Luminaire Power	14.00 W	Efficacy	77.44 lm/W	Efficiency	100.00%
Sources Flux	1084.12 lm	Maximum value	2452.72 cd/klm	Position	C=0.00 G=0.00	CG	Double Symmetrical

UGR
S = 0.250

Reflectancies										
Ceiling/Cavity	0.7	0.7	0.5	0.5	0.3	0.7	0.7	0.5	0.5	0.3
Walls	0.5	0.3	0.5	0.3	0.3	0.5	0.3	0.5	0.3	0.3
WorkingPlane	0.2	0.2	0.2	0.2	0.2	0.2	0.2	0.2	0.2	0.2
RoomDimensions	Viewed Crosswise					Viewed Endwise				
x=2H y=2H	16.9	17.7	17.1	17.9	18.0	16.9	17.7	17.2	17.9	18.1
x=2H y=3H	17.4	18.1	17.7	18.4	18.6	17.5	18.2	17.8	18.4	18.7
x=2H y=4H	17.6	18.3	17.9	18.5	18.8	17.7	18.3	18.0	18.6	18.9
x=2H y=6H	17.7	18.3	18.0	18.6	18.9	17.7	18.4	18.1	18.6	18.9
x=2H y=8H	17.7	18.3	18.0	18.6	18.9	17.7	18.3	18.1	18.6	18.9
x=2H y=12H	17.7	18.2	18.0	18.5	18.9	17.7	18.3	18.1	18.6	18.9
x=4H y=2H	17.1	17.8	17.4	18.1	18.3	17.2	17.9	17.5	18.1	18.4
x=4H y=3H	17.8	18.4	18.2	18.7	19.0	17.9	18.4	18.2	18.7	19.0
x=4H y=4H	18.1	18.6	18.5	18.9	19.3	18.2	18.6	18.5	19.0	19.3
x=4H y=6H	18.3	18.7	18.7	19.0	19.4	18.3	18.7	18.7	19.1	19.4
x=4H y=8H	18.3	18.6	18.7	19.0	19.4	18.3	18.7	18.7	19.1	19.5
x=4H y=12H	18.3	18.6	18.7	19.0	19.4	18.3	18.6	18.7	19.0	19.4
x=8H y=4H	18.2	18.6	18.6	18.9	19.3	18.2	18.6	18.7	19.0	19.4
x=8H y=6H	18.4	18.7	18.9	19.1	19.6	18.4	18.7	18.9	19.1	19.6
x=8H y=8H	18.4	18.7	18.9	19.1	19.6	18.5	18.7	18.9	19.1	19.6
x=8H y=12H	18.4	18.6	18.9	19.1	19.6	18.4	18.6	18.9	19.1	19.6
x=12H y=4H	18.2	18.5	18.6	18.9	19.3	18.2	18.5	18.7	18.9	19.4
x=12H y=6H	18.4	18.6	18.9	19.1	19.6	18.4	18.7	18.9	19.1	19.6
x=12H y=8H	18.4	18.6	18.9	19.1	19.6	18.4	18.6	18.9	19.1	19.6



Luminaire

Code PX-0470-ANT
Name APRIL

Measur.

Code PX-0470-ANT
Name APRIL

Luminaire Flux	1084.11 lm	Luminaire Power	14.00 W	Efficacy	77.44 lm/W	Efficiency	100.00%
Sources Flux	1084.12 lm	Maximum value	2452.72 cd/klm	Position	C=0.00 G=0.00	CG	Double Symmetrical

Total Flux=1084.12 Luminaire Flux=1084.11

RI	0.60	0.80	1.00	1.25	1.50	2.00	2.50	3.00	4.00	5.00	10.00	20.00
DRR	0.64	0.70	0.75	0.79	0.83	0.88	0.91	0.94	0.96	0.97	1.00	1.01
RC	-	-	-	-	-	-	-	-	-	-	-	-

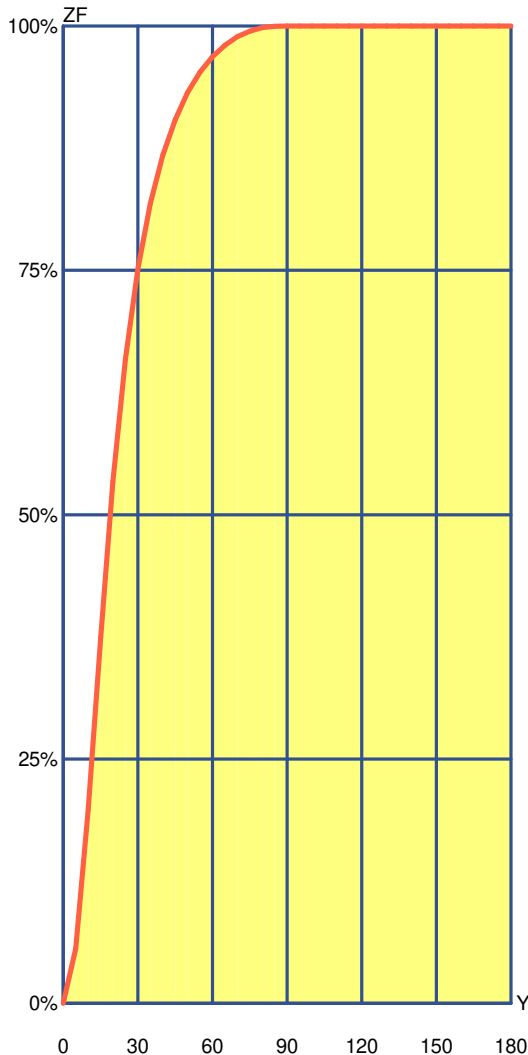
Zonal Flux per 1000 Lumen

Y°	10	20	30	40	50	60	70	80	90	100	110	120	130	140	150	160	170	180
ZF(Y)	198	534	751	868	932	969	989	998	1000	1000	1000	1000	1000	1000	1000	1000	1000	1000

CIE Flux Codes

88 97 100 100 100

C.I.E.	-/-/-/-/-/-/-/-/-/-	LOR	99.99935 %
D DIN 5040	A60	ULOR	0.00000 %
F UTE	1.00 A	DLOR	99.99935 %
B NBN	BZ 1	UFF	0.00000 %
RN	0.00000 %	DFF	100.00000 %
BLF	1.0	FFR	0.00000 %



Gamma °	Zonal Flux			
	Flux	Sum lm	Flux [%]	Sum [%]
0°	0.00	0.00	0.00%	0.00 %
5°	55.85	55.85	5.59 %	5.59 %
10°	142.54	198.40	14.25 %	19.84 %
15°	175.85	374.25	17.59 %	37.43 %
20°	159.64	533.89	15.96 %	53.39 %
25°	124.89	658.78	12.49 %	65.88 %
30°	92.49	751.27	9.25 %	75.13 %
35°	67.40	818.66	6.74 %	81.87 %
40°	49.44	868.10	4.94 %	86.81 %
45°	36.29	904.39	3.63 %	90.44 %
50°	27.46	931.85	2.75 %	93.19 %
55°	20.96	952.82	2.10 %	95.28 %
60°	15.82	968.63	1.58 %	96.86 %
65°	11.85	980.48	1.18 %	98.05 %
70°	8.59	989.07	0.86 %	98.91 %
75°	5.81	994.88	0.58 %	99.49 %
80°	3.39	998.27	0.34 %	99.83 %
85°	1.37	999.64	0.14 %	99.96 %
90°	0.35	999.99	0.04 %	100.00 %
95°	0.00	999.99	0.00 %	100.00 %
100°	0.00	999.99	0.00 %	100.00 %
105°	0.00	999.99	0.00 %	100.00 %
110°	0.00	999.99	0.00 %	100.00 %
115°	0.00	999.99	0.00 %	100.00 %
120°	0.00	999.99	0.00 %	100.00 %
125°	0.00	999.99	0.00 %	100.00 %
130°	0.00	999.99	0.00 %	100.00 %
135°	0.00	999.99	0.00 %	100.00 %
140°	0.00	999.99	0.00 %	100.00 %
145°	0.00	999.99	0.00 %	100.00 %
150°	0.00	999.99	0.00 %	100.00 %
155°	0.00	999.99	0.00 %	100.00 %
160°	0.00	999.99	0.00 %	100.00 %
165°	0.00	999.99	0.00 %	100.00 %
170°	0.00	999.99	0.00 %	100.00 %
175°	0.00	999.99	0.00 %	100.00 %
180°	0.00	999.99	0.00 %	100.00 %



Luminaire

Code PX-0470-ANT
Name APRIL

Measurement

Code PX-0470-ANT
Name APRIL

Luminaire Flux	1084.11 lm	Luminaire Power	14.00 W	Efficacy	77.44 lm/W	Efficiency	100.00%
Sources Flux	1084.12 lm	Maximum value	2452.72 cd/klm	Position	C=0.00 G=0.00	CG	Double Symmetrical

Utilizations CIE

Mounting	Direct	Normalization										Normalised										Suspension Ratid/3										Standard CIE Settings									
Ceiling																																									
K	8873	8773	8871	8771	7773	7771	7753	7553	7751	7551	7731	7331	7711	7111	5551	5531	5331	5511	5111	3331	3311	1111	0000																		
0.60	173	155	108	97	148	93	97	83	58	49	35	26	18	12	46	28	25	14	11	23	12	10	0																		
0.80	206	189	116	107	180	102	127	111	68	60	43	34	25	18	56	36	33	21	17	31	18	16	0																		
1.00	229	213	117	109	202	105	150	134	73	66	50	41	32	24	62	42	39	27	23	37	24	21	0																		
1.25	251	236	117	111	225	106	175	159	78	72	57	48	39	31	67	49	46	34	30	44	31	28	0																		
1.50	268	254	116	111	242	107	195	180	82	76	62	54	45	38	72	55	51	40	36	49	36	33	0																		
2.00	290	278	112	108	266	105	226	211	85	80	69	62	56	48	76	62	59	50	46	57	46	43	0																		
2.50	305	295	108	105	282	102	248	234	87	83	74	68	63	56	79	68	65	58	54	63	54	50	0																		
3.00	315	307	106	103	293	100	264	252	88	85	78	72	69	62	81	72	70	64	60	67	60	56	0																		
4.00	331	325	104	103	311	100	287	277	91	89	84	79	77	71	85	78	76	72	69	74	68	65	0																		
5.00	342	336	104	102	322	100	303	294	93	91	88	84	82	77	88	83	81	78	75	78	74	70	0																		
10.00	365	361	102	102	347	100	338	332	98	97	96	94	94	91	94	92	91	91	89	89	87	84	0																		
20.00	377	376	102	102	361	101	357	355	101	100	101	100	101	99	98	98	97	98	97	95	95	93	0																		

Wall

K	8873	8773	8871	8771	7773	7771	7753	7553	7751	7551	7731	7331	7711	7111	5551	5531	5331	5511	5111	3331	3311	1111	0000
0.60	319	309	236	231	304	228	240	233	184	181	154	151	133	131	179	152	150	132	131	150	131	130	108
0.80	355	345	252	247	337	243	275	266	203	199	174	170	152	149	196	170	168	150	149	167	149	148	122
1.00	373	362	252	247	353	243	294	285	208	203	181	177	161	157	200	176	175	158	156	173	156	154	125
1.25	391	380	252	248	368	243	314	304	213	209	189	184	170	166	204	183	181	166	164	179	163	161	129
1.50	403	393	251	247	379	242	329	319	215	211	194	189	176	171	206	187	185	172	169	182	168	165	130
2.00	405	397	233	230	380	225	338	328	204	201	187	183	173	168	195	180	178	167	165	174	163	159	120
2.50	401	394	215	213	375	207	340	330	191	188	177	173	166	161	181	169	168	159	156	163	154	149	108
3.00	393	386	196	194	365	189	335	326	176	173	165	161	155	150	166	156	155	148	145	149	142	136	93
4.00	389	383	179	177	361	172	337	328	163	161	154	151	147	142	152	145	144	139	136	137	132	125	80
5.00	384	379	165	164	355	158	335	327	151	149	145	141	139	134	140	135	133	130	127	126	122	115	68
10.00	339	336	101	101	308	95	299	294	93	92	90	88	88	85	81	80	79	78	76	69	68	59	8
20.00	246	244	0	0	215	0	211	208	0	0	0	0	0	0	0	0	0	0	0	0	0	0	0

Working Pl.

K	8873	8773	8871	8771	7773	7771	7753	7553	7751	7551	7731	7331	7711	7111	5551	5531	5331	5511	5111	3331	3311	1111	0000
0.60	841	831	785	779	825	775	746	739	718	715	680	677	652	651	712	677	676	651	650	675	650	649	639
0.80	916	904	843	837	894	832	816	807	779	774	740	736	712	708	770	735	734	709	708	732	707	706	696
1.00	978	966	891	886	953	879	879	868	832	827	796	790	768	764	821	789	787	765	762	785	762	760	750
1.25	1000	1000	930	925	1000	917	934	922	875	870	842	836	816	811	862	834	832	811	808	828	807	803	794
1.50	1000	1000	957	952	1000	944	975	962	906	901	876	870	851	845	892	866	864	845	842	859	840	835	826
2.00	1000	1000	996	992	1000	984	1000	1000	955	950	931	924	911	903	940	919	917	902	898	910	894	888	880
2.50	1000	1000	1000	1000	1000	1000	1000	1000	985	981	966	960	949	942	969	953	950	939	935	942	930	922	914
3.00	1000	1000	1000	1000	1000	1000	1000	1000	1000	1000	991	985	977	970	990	977	974	965	961	964	955	946	938
4.00	1000	1000	1000	1000	1000	1000	1000	1000	1000	1000	1000	1000	1000	1000	1000	1000	998	992	988	986	979	968	960
5.00	1000	1000	1000	1000	1000	1000	1000	1000	1000	1000	1000	1000	1000	1000	1000	1000	1000	1000	1000	999	993	981	973
10.00	1000	1000	1000	1000	1000	1000	1000	1000	1000	1000	1000	1000	1000	1000	1000	1000	1000	1000	1000	1000	1000	1000	998
20.00	1000	1000	1000	1000	1000	1000	1000	1000	1000	1000	1000	1000	1000	1000	1000	1000	1000	1000	1000	1000	1000	1000	1000

LM53 SHR C0-C180: 0.489 SHR C90-C270: 0.489 SHR Square: 0.518



Luminaire

Code PX-0470-ANT
Name APRIL

Measurem.

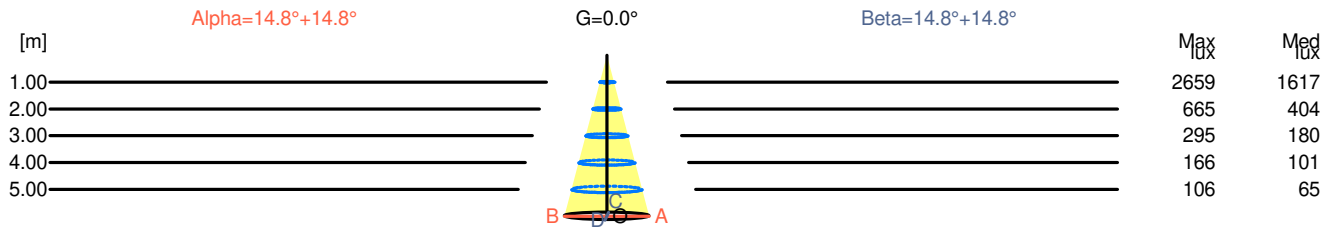
Code PX-0470-ANT
Name APRIL

Luminaire Flux	1084.11 lm	Luminaire Power	14.00 W	Efficacy	77.44 lm/W	Efficiency	100.00%
Sources Flux	1084.12 lm	Maximum value	2452.72 cd/klm	Position	C=0.00 G=0.00	CG	Double Symmetrical

Width at 50.00 % of Max Intensity

H[m]	1.00	2.00	3.00	4.00	5.00	H[m]	1.00	2.00	3.00	4.00	5.00
OA	0.26	0.53	0.79	1.06	1.32	OC	0.26	0.53	0.79	1.05	1.32
OB	0.26	0.53	0.79	1.06	1.32	OD	0.26	0.53	0.79	1.05	1.32

	Luminous Intensities [cd/klm]									
	0	5	15	25	35	45	55	65	75	85
OA	2659.04	2411.89	1302.94	491.88	195.22	85.17	43.38	21.69	9.16	1.29
OB	2659.04	2411.89	1302.94	491.88	195.22	85.17	43.38	21.69	9.16	1.29
OC	2659.04	2407.47	1299.80	491.00	197.82	86.82	44.06	21.90	9.20	0.79
OD	2659.04	2407.47	1299.80	491.00	197.82	86.82	44.06	21.90	9.20	0.79



H[m]	D[m]	Max lux	Med lux	Alpha=14.8°+14.8°	G=0.0
1.00	0.53	2659	1617		
2.00	1.06	665	404		
3.00	1.58	295	180		
4.00	2.11	166	101		
5.00	2.64	106	65		

H[m]	D[m]	Max lux	Med lux	Beta=14.8°+14.8°	G=0.0
1.00	0.53	2659	1617		
2.00	1.05	665	404		
3.00	1.58	295	180		
4.00	2.11	166	101		
5.00	2.63	106	65		



Luminaire

Code PX-0470-ANT

Name APRIL

Measur.

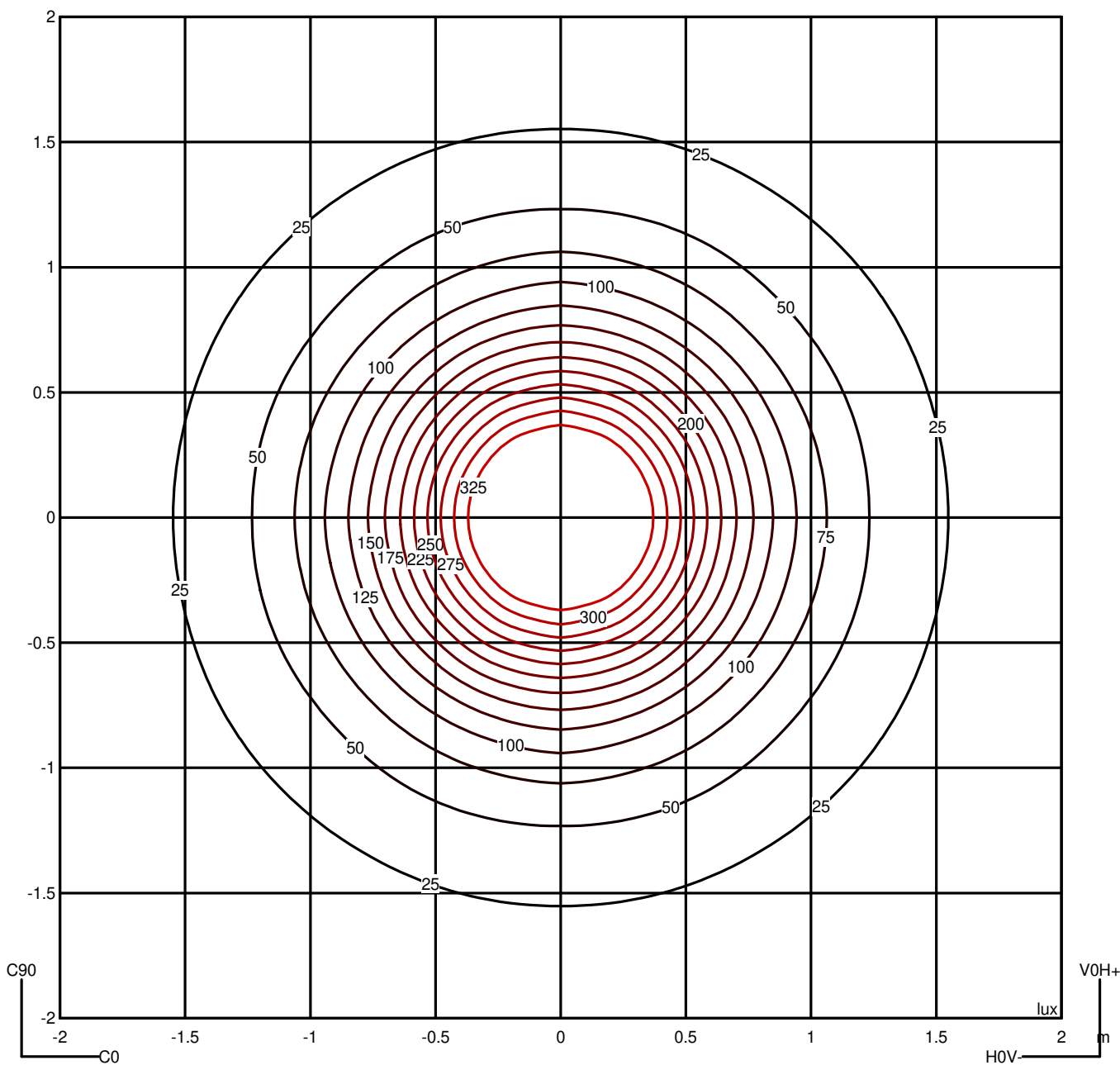
Code PX-0470-ANT

Name APRIL

Luminaire Flux	1084.11 lm	Luminaire Power	14.00 W	Efficacy	77.44 lm/W	Efficiency	100.00%
Sources Flux	1084.12 lm	Maximum value	2452.72 cd/klm	Position	C=0.00 G=0.00	CG	Double Symmetrical

Isolux (Floor)

Luminaire position X=0.00m Y=0.00m Z=2.50m





Luminaire

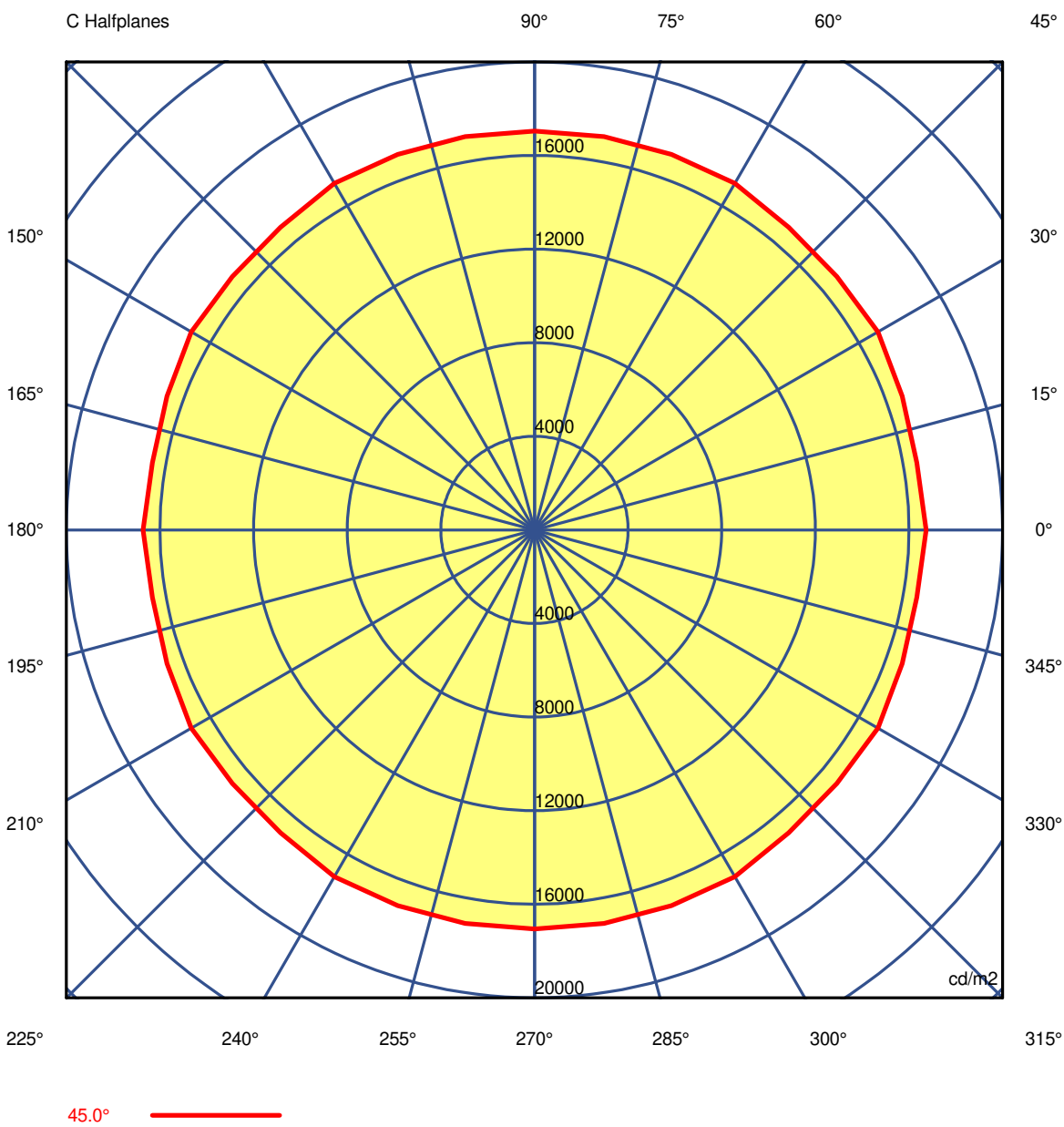
Code PX-0470-ANT
Name APRIL

Measurement

Code PX-0470-ANT
Name APRIL

Luminaire Flux	1084.11 lm	Luminaire Power	14.00 W	Efficacy	77.44 lm/W	Efficiency	100.00%
Sources Flux	1084.12 lm	Maximum value	2452.72 cd/klm	Position	C=0.00 G=0.00	CG	Double Symmetrical

Luminance





Luminaire

Code PX-0470-ANT
Name APRIL

Measurement

Code PX-0470-ANT
Name APRIL

Luminaire Flux	1084.11 lm	Luminaire Power	14.00 W	Efficacy	77.44 lm/W	Efficiency	100.00%
Sources Flux	1084.12 lm	Maximum value	2452.72 cd/klm	Position	C=0.00 G=0.00	CG	Double Symmetrical

Luminance cd/m2 Table 1/3

	C 0.00	C 10.00	C 20.00	C 30.00	C 40.00	C 50.00	C 60.00	C 70.00	C 80.00	C 90.00	C 100.00	C 110.00	C 120.00
G 0.0	369311.39	369311.39	369311.39	369311.39	369311.39	369311.39	369311.39	369311.39	369311.39	369311.39	369311.39	369311.39	369311.39
G 5.0	336263.78	335355.90	335020.24	335271.32	335613.71	335727.36	335539.63	335239.91	335256.91	335648.74	335256.91	335239.91	335539.63
G 10.0	270608.08	270571.86	270363.77	269859.47	269612.35	269963.26	270347.79	268683.86	268481.37	270784.25	268481.37	268683.86	270347.79
G 15.0	187348.07	186547.32	186768.11	187361.12	186852.85	186966.68	187581.59	186818.39	186333.07	186895.95	186333.07	186818.39	187581.59
G 20.0	120180.38	118907.46	118539.67	118550.35	118298.68	117697.87	117076.03	116887.51	117840.71	119815.43	117840.71	116887.51	117076.03
G 25.0	75378.53	75529.66	75423.09	74988.82	74513.22	74900.06	75716.55	75583.78	75330.81	75244.26	75330.81	75583.78	75716.55
G 30.0	47733.81	47798.39	48176.43	48612.04	48524.42	48486.49	48600.69	48574.06	48327.41	47929.62	48327.41	48574.06	48600.69
G 35.0	33100.18	32927.91	32789.84	32806.29	33055.47	33128.19	32993.94	33030.45	33242.90	33541.50	33242.90	33030.45	32993.94
G 40.0	22962.80	22671.82	22582.74	22674.54	22779.97	23013.48	23213.24	23067.93	23043.43	23322.57	23043.43	23067.93	23213.24
G 45.0	16728.56	16584.00	16711.01	16934.47	16851.57	16890.72	17109.38	17090.34	17071.83	17053.84	17071.83	17090.34	17109.38
G 50.0	13159.21	13150.70	13132.90	13129.94	13188.61	13308.68	13357.55	13210.92	13241.65	13558.21	13241.65	13210.92	13357.55
G 55.0	10503.96	10406.85	10409.38	10459.22	10430.71	10492.48	10578.44	10455.31	10445.64	10667.83	10445.64	10455.31	10578.44
G 60.0	8562.57	8490.75	8543.62	8624.47	8535.35	8533.67	8645.55	8629.19	8624.97	8677.42	8624.97	8629.19	8645.55
G 65.0	7127.08	7240.57	7257.63	7198.86	7178.25	7217.55	7253.82	7208.24	7175.63	7198.33	7175.63	7208.24	7253.82
G 70.0	6075.09	6023.54	6005.46	6002.81	5977.95	6012.16	6066.93	6021.30	6017.84	6113.09	6017.84	6021.30	6066.93
G 75.0	4912.96	4935.79	4982.61	5007.93	4947.39	4929.57	4984.55	5013.52	4992.76	4937.67	4992.76	5013.52	4984.55
G 80.0	3460.25	3583.75	3659.58	3696.93	3731.40	3684.45	3565.07	3468.59	3370.27	3251.93	3370.27	3468.59	3565.07
G 85.0	2058.15	2021.18	1978.68	1871.18	1650.35	1501.45	1431.63	1285.12	1208.91	1255.29	1208.91	1285.12	1431.63
G 90.0	0.00	0.00	0.00	0.00	0.00	0.00	0.00	0.00	0.00	0.00	0.00	0.00	0.00



Luminaire

Code PX-0470-ANT
Name APRIL

Measurement

Code PX-0470-ANT
Name APRIL

Luminaire Flux	1084.11 lm	Luminaire Power	14.00 W	Efficacy	77.44 lm/W	Efficiency	100.00%
Sources Flux	1084.12 lm	Maximum value	2452.72 cd/klm	Position	C=0.00 G=0.00	CG	Double Symmetrical

Luminance cd/m2 Table 2/3

	C 130.00	C 140.00	C 150.00	C 160.00	C 170.00	C 180.00	C 190.00	C 200.00	C 210.00	C 220.00	C 230.00	C 240.00	C 250.00
G 0.0	369311.39	369311.39	369311.39	369311.39	369311.39	369311.39	369311.39	369311.39	369311.39	369311.39	369311.39	369311.39	369311.39
G 5.0	335727.36	335613.71	335271.32	335020.24	335355.90	336263.78	335355.90	335020.24	335271.32	335613.71	335727.36	335539.63	335239.91
G 10.0	269963.26	269612.35	269859.47	270363.77	270571.86	270608.08	270571.86	270363.77	269859.47	269612.35	269963.26	270347.79	268683.86
G 15.0	186966.68	186852.85	187361.12	186768.11	186547.32	187348.07	186547.32	186768.11	187361.12	186852.85	186966.68	187581.59	186818.39
G 20.0	117697.87	118298.68	118550.35	118539.67	118907.46	120180.38	118907.46	118539.67	118550.35	118298.68	117697.87	117076.03	116887.51
G 25.0	74900.06	74513.22	74988.82	75423.09	75529.66	75378.53	75529.66	75423.09	74988.82	74513.22	74900.06	75716.55	75583.78
G 30.0	48486.49	48524.42	48612.04	48176.43	47798.39	47733.81	47798.39	48176.43	48612.04	48524.42	48486.49	48600.69	48574.06
G 35.0	33128.19	33055.47	32806.29	32789.84	32927.91	33100.18	32927.91	32789.84	32806.29	33055.47	33128.19	32993.94	33030.45
G 40.0	23013.48	22779.97	22674.54	22582.74	22671.82	22962.80	22671.82	22582.74	22674.54	22779.97	23013.48	23213.24	23067.93
G 45.0	16890.72	16851.57	16934.47	16711.01	16584.00	16728.56	16584.00	16711.01	16934.47	16851.57	16890.72	17109.38	17090.34
G 50.0	13308.68	13188.61	13129.94	13132.90	13150.70	13159.21	13150.70	13132.90	13129.94	13188.61	13308.68	13357.55	13210.92
G 55.0	10492.48	10430.71	10459.22	10409.38	10406.85	10503.96	10406.85	10409.38	10459.22	10430.71	10492.48	10578.44	10455.31
G 60.0	8533.67	8535.35	8624.47	8543.62	8490.75	8562.57	8490.75	8543.62	8624.47	8535.35	8533.67	8645.55	8629.19
G 65.0	7217.55	7178.25	7198.86	7257.63	7240.57	7127.08	7240.57	7257.63	7198.86	7178.25	7217.55	7253.82	7208.24
G 70.0	6012.16	5977.95	6002.81	6005.46	6023.54	6075.09	6023.54	6005.46	6002.81	5977.95	6012.16	6066.93	6021.30
G 75.0	4929.57	4947.39	5007.93	4982.61	4935.79	4912.96	4935.79	4982.61	5007.93	4947.39	4929.57	4984.55	5013.52
G 80.0	3684.45	3731.40	3696.93	3659.58	3583.75	3460.25	3583.75	3659.58	3696.93	3731.40	3684.45	3565.07	3468.59
G 85.0	1501.45	1650.35	1871.71	1978.68	2021.18	2058.15	2021.18	1978.68	1871.71	1650.35	1501.45	1431.63	1285.12
G 90.0	0.00	0.00	0.00	0.00	0.00	0.00	0.00	0.00	0.00	0.00	0.00	0.00	0.00



Luminaire

Code PX-0470-ANT
Name APRIL

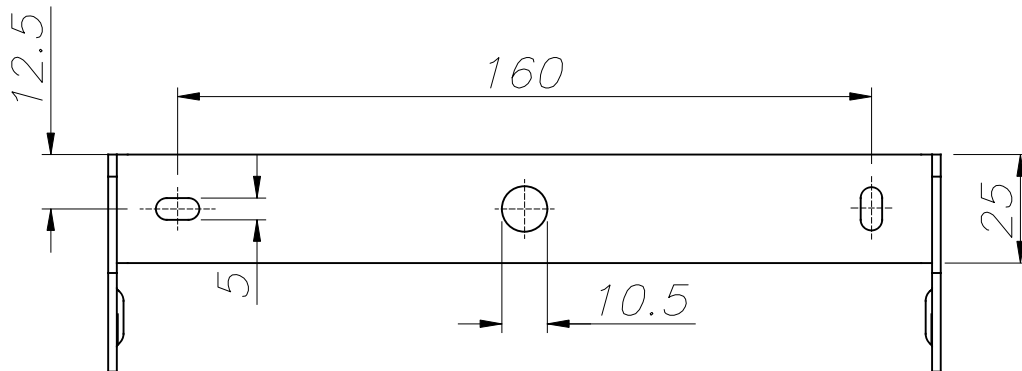
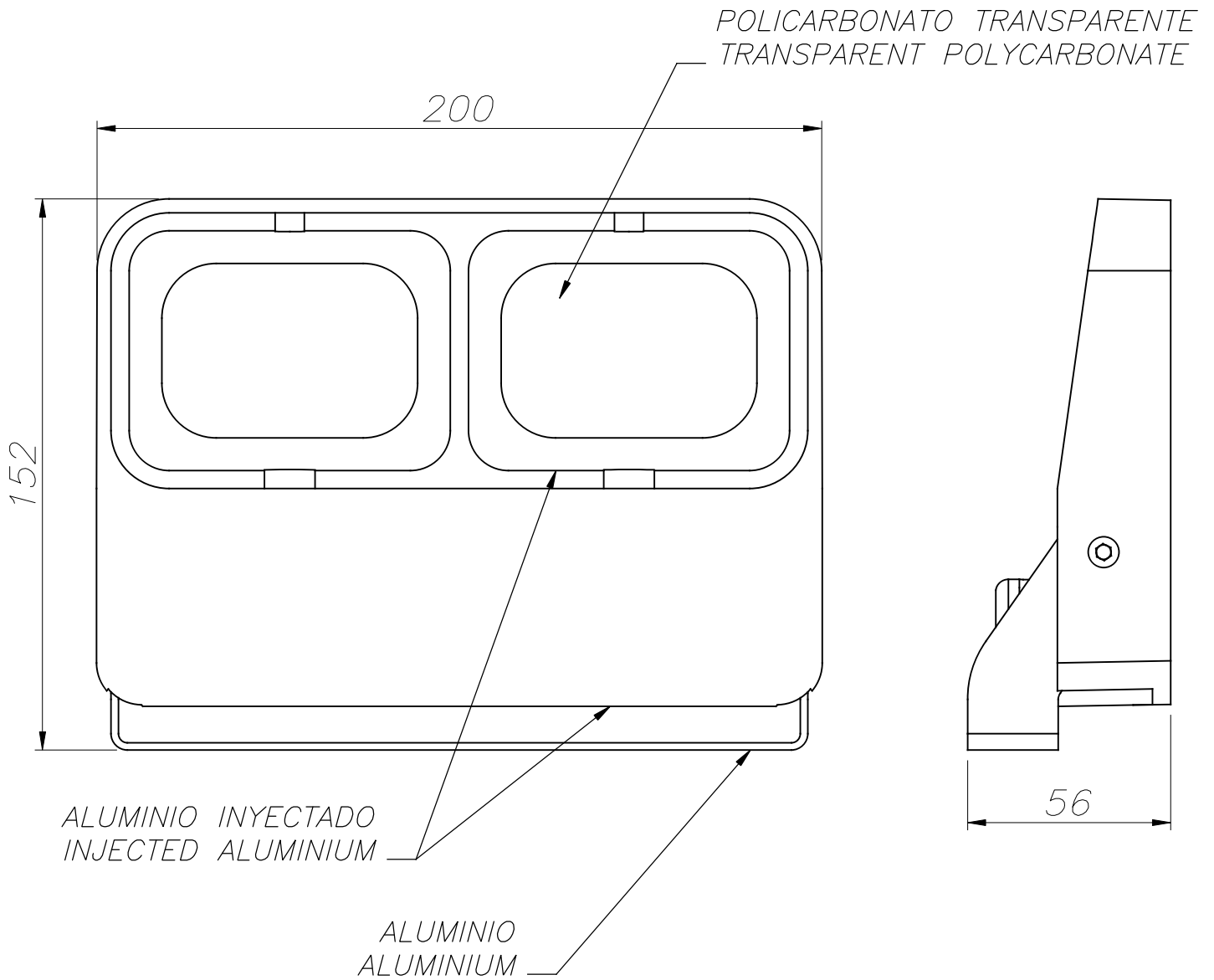
Measur.

Code PX-0470-ANT
Name APRIL

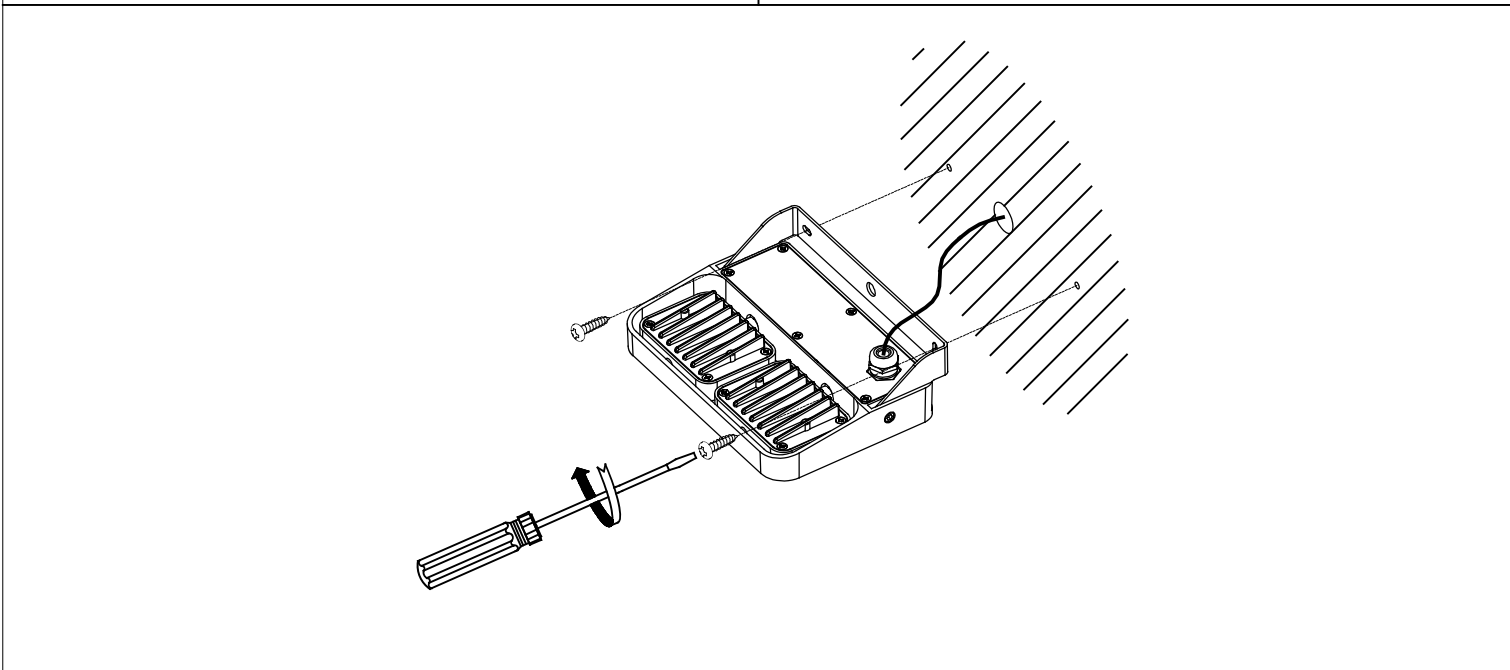
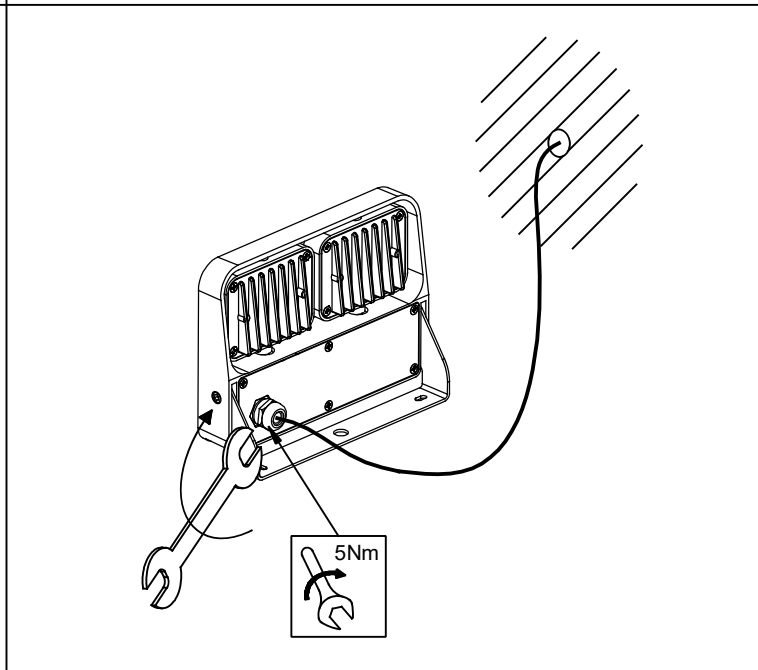
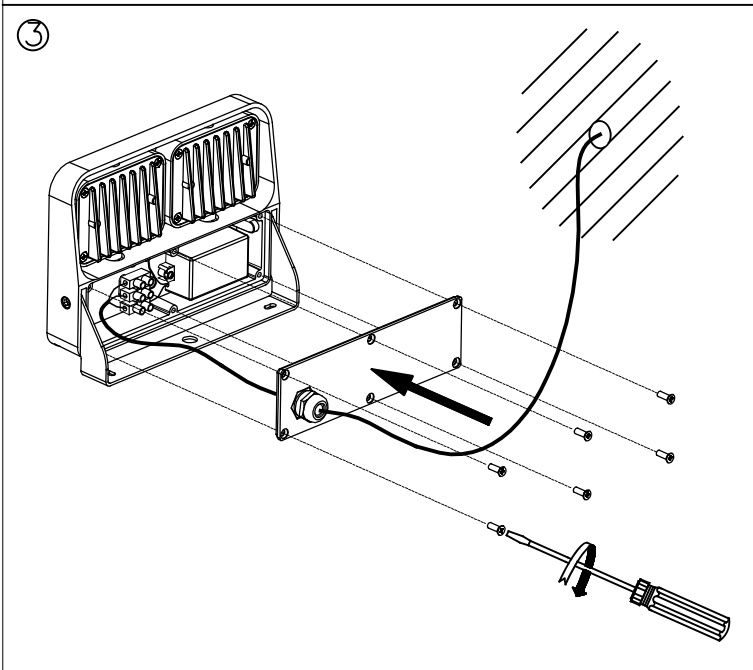
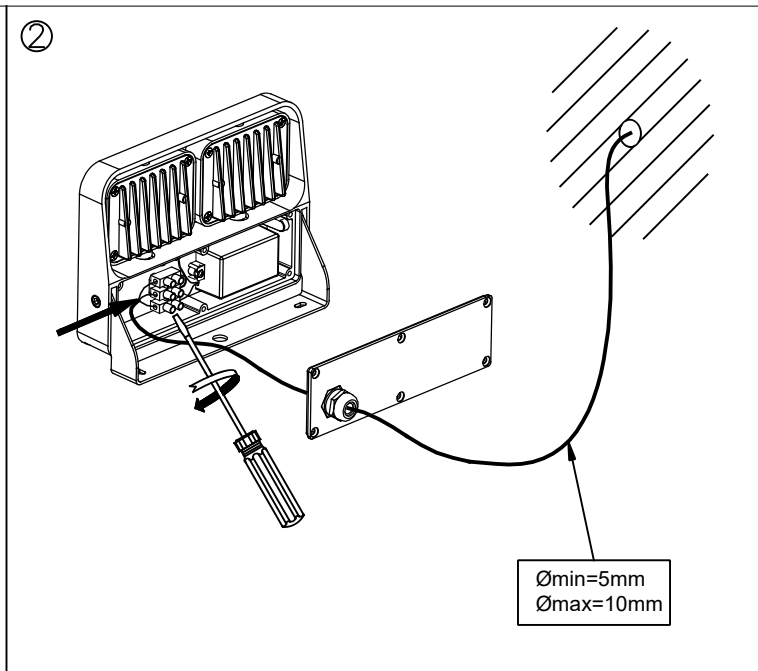
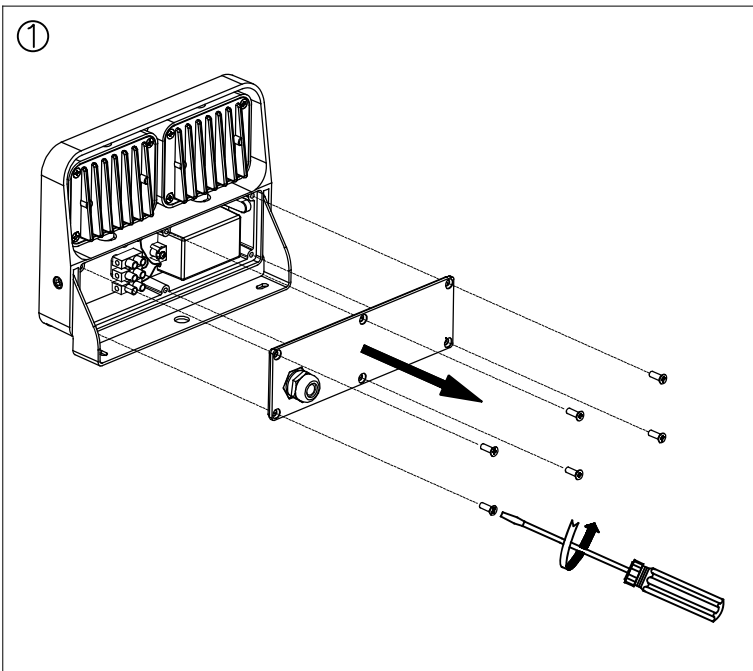
Luminaire Flux	1084.11 lm	Luminaire Power	14.00 W	Efficacy	77.44 lm/W	Efficiency	100.00%
Sources Flux	1084.12 lm	Maximum value	2452.72 cd/klm	Position	C=0.00 G=0.00	CG	Double Symmetrical

Luminance cd/m2 Table 3/3

	C 260.00	C 270.00	C 280.00	C 290.00	C 300.00	C 310.00	C 320.00	C 330.00	C 340.00	C 350.00
G 0.0	369311.39	369311.39	369311.39	369311.39	369311.39	369311.39	369311.39	369311.39	369311.39	369311.39
G 5.0	335256.91	335648.74	335256.91	335239.91	335539.63	335727.36	335613.71	335271.32	335020.24	335355.90
G 10.0	268481.37	270784.25	268481.37	268683.86	270347.79	269963.26	269612.35	269859.47	270363.77	270571.86
G 15.0	186333.07	186895.95	186333.07	186818.39	187581.59	186966.68	186852.85	187361.12	186768.11	186547.32
G 20.0	117840.71	119815.43	117840.71	116887.51	117076.03	117697.87	118298.68	118550.35	118539.67	118907.46
G 25.0	75330.81	75244.26	75330.81	75583.78	75716.55	74900.06	74513.22	74988.82	75423.09	75529.66
G 30.0	48327.41	47929.62	48327.41	48574.06	48600.69	48486.49	48524.42	48612.04	48176.43	47798.39
G 35.0	33242.90	33541.50	33242.90	33030.45	32993.94	33128.19	33055.47	32806.29	32789.84	32927.91
G 40.0	23043.43	23322.57	23043.43	23067.93	23213.24	23013.48	22779.97	22674.54	22582.74	22671.82
G 45.0	17071.83	17053.84	17071.83	17090.34	17109.38	16890.72	16851.57	16934.47	16711.01	16584.00
G 50.0	13241.65	13558.21	13241.65	13210.92	13357.55	13308.68	13188.61	13129.94	13132.90	13150.70
G 55.0	10445.64	10667.83	10445.64	10455.31	10578.44	10492.48	10430.71	10459.22	10409.38	10406.85
G 60.0	8624.97	8677.42	8624.97	8629.19	8645.55	8533.67	8535.35	8624.47	8543.62	8490.75
G 65.0	7175.63	7198.33	7175.63	7208.24	7253.82	7217.55	7178.25	7198.86	7257.63	7240.57
G 70.0	6017.84	6113.09	6017.84	6021.30	6066.93	6012.16	5977.95	6002.81	6005.46	6023.54
G 75.0	4992.76	4937.67	4992.76	5013.52	4984.55	4929.57	4947.39	5007.93	4982.61	4935.79
G 80.0	3370.27	3251.93	3370.27	3468.59	3565.07	3684.45	3731.40	3696.93	3659.58	3583.75
G 85.0	1208.91	1255.29	1208.91	1285.12	1431.63	1501.45	1650.35	1871.71	1978.68	2021.18
G 90.0	0.00	0.00	0.00	0.00	0.00	0.00	0.00	0.00	0.00	0.00



PLANTILLA DE INSTALACIÓN
INSTALLATION TEMPLATE





April

PX-0470-ANT



Wall light for outdoor use.

With adjustable lighting positioning. Easily adjustable light effect. Adjustable light source. Structure material: Aluminium. Structure finish: Urban grey. Diffuser material: Polycarbonate. Diffuser finish: Transparent. UV protection. Warranty: 5 Years.

Product net weight (Kg): 0.900

Product width or diameter (mm): 200

Product height (mm): 152

Product aperture (mm): 56

Class 1. Glow wire test: 850. IP: IP54. IK: IK10. LED. No. of lampholders or LEDs: 12. LED brand: OSRAM. Driver brand: LISHUNDA. Maximum power of light source: 11W. Colour temperature: LED warm-white 3000K. Colour rendering index: 80. MacAdam Steps: 3. Maximum diameter of luminaire bulb: 36.000h L70B30. UGR: 16.9. Photobiological risk: RG1. Real flux (lm): 1084. Nominal flux (lm): 1135. Lm/Real W: 78. Voltage and frequency range: 100-240/50-60Hz. Voltage: 6. Gear included: Yes, electronic. Multi-voltage gear included. Total power: 13.9. Power factor: 0.90.