

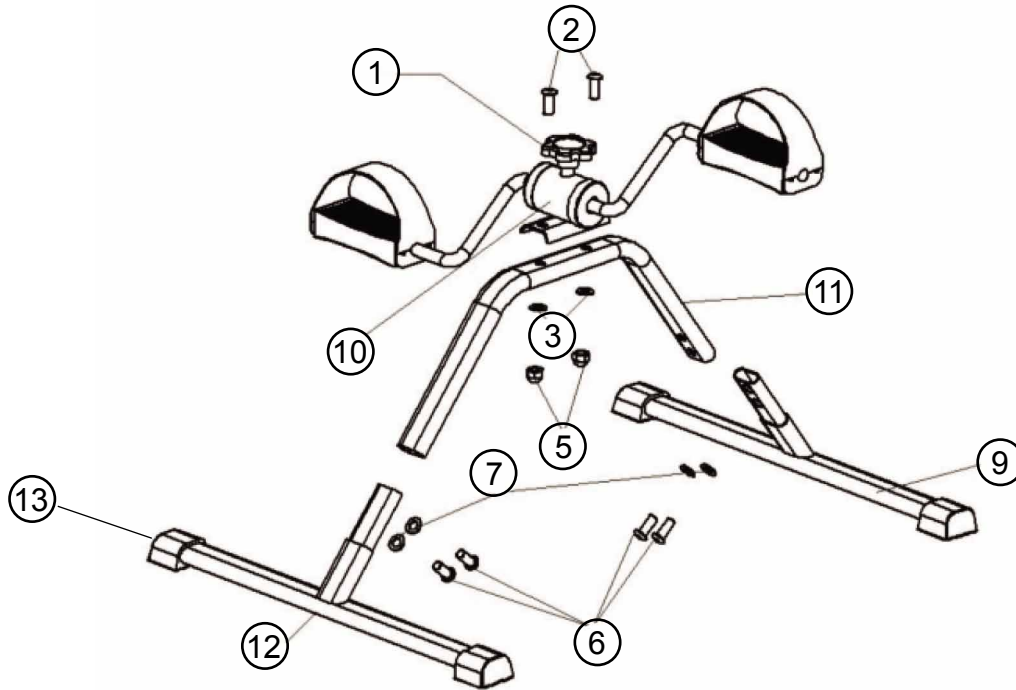
everfit

INSTRUCTION

WELLYS



Overview Diagram



Parts List

Part #	Type	Qty.	Part #	Type	Qty.
1	Tension Knob	1	7	Flat Washer M6 (1)	4
2	Hex Head Bolt M8x28 (2)	2	8	Open End Wrench	1
3	Flat Washer M8 (2)	2	9	Front Leg Assembly	1
4	Hexagon Key	1	10	Pedal Assembly	1
5	Locknut	2	11	Main Frame	1
6	Hex Head Bolt M6x10 (1)	4	12	Rear Leg Assembly	1

Hardware

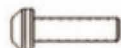


1. Tension Knob

2. Hex Head Bolt M8x28

3. Flat Washer M8

4. Hexagon Key



5. Locknut

6. Hex Head Bolt M6x10

7. Flat Washer M6

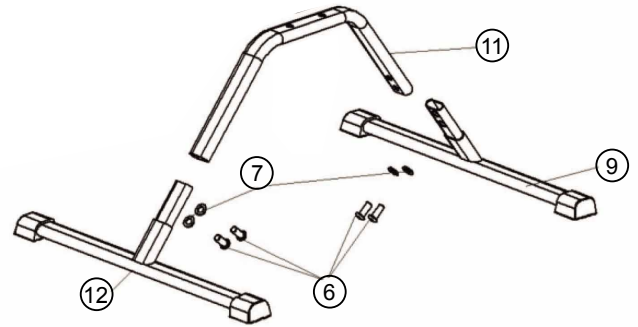
8. Open End Wrench

Assembly Instructions

Step 1:

Insert the Front Leg Assembly (9) into the Main Frame (11). Then attach by installing two Hex Head Bolts (6) and two Flat Washers (7).

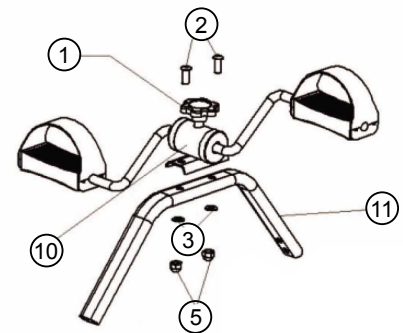
Insert the Rear Leg Assembly (12) into the Main Frame (11), Then attach by installing two sets of Hex Head Bolts (6) and two Flat Washers (7).



Step 2:

Attach the Pedal Assembly (10) onto the Main Frame (11), by using two Hex Head Bolts (2), two Flat Washers (3) and two Lock Nuts (5)

Insert Tension Knob (1) into Pedal Assembly (10)





GARLANDO SPA

Via Regione Piemonte, 32 - Zona Industriale D1

15068 - Pozzolo Formigaro (AL) - Italy

www.everfit.it - info@everfit.it