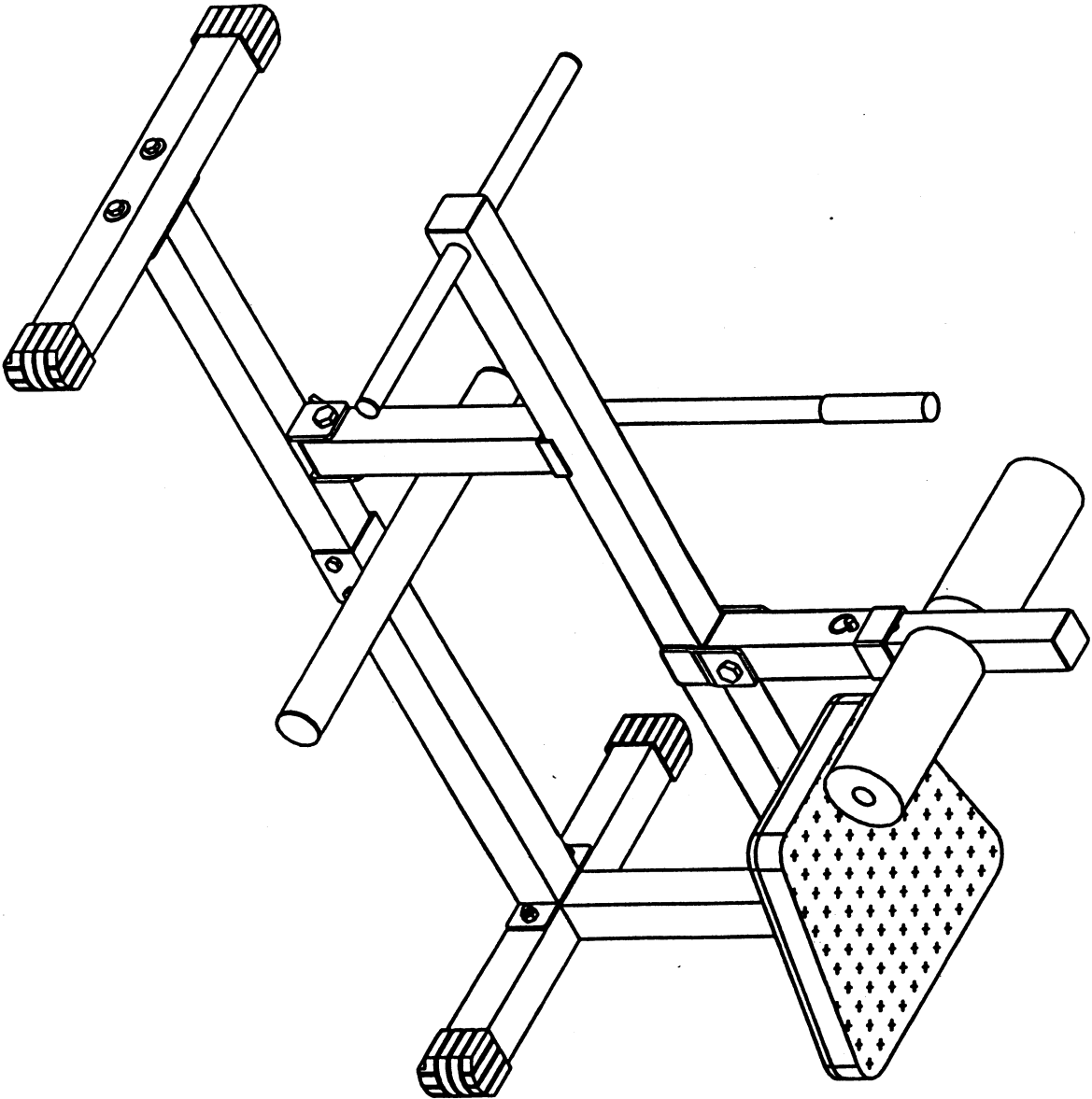


PSC-43

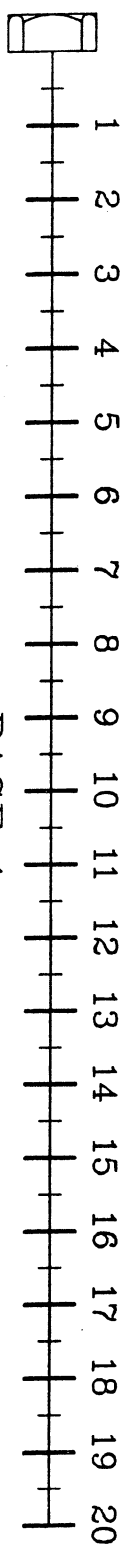


HARDWARE ILLUSTRATION SHEET

PARTS ILLUSTRATION SHEET

Part No.	Description	Qty.
A1.	1/2"x90 HEX HEAD BOLT	[1PCS]
A2.	M12x80 HEX HEAD BOLT	[2PCS]
A3.	M10x70 HEX HEAD BOLT	[6PCS]
A4.	5/16"x70 HEX HEAD BOLT	[2PCS]
B1.	1/2" NYLON LOCK NUT	[1PCS]
B2.	M12 NYLON LOCK NUT	[2PCS]
B3.	M10 NYLON LOCK NUT	[6PCS]
C1.	M10 (I.D) WASHER	[4PCS]
C2.	5/16" (I.D) WASHER	[2PCS]
C3.	5/16" SPRING WASHER	[2PCS]
D1.	2"x2" FOOT CAP (E4028)	[4PCS]
D2.	2"x2" END CAP (E4001)	[4PCS]
D3.	1 3/4"x1 3/4" END CAP (E4002)	[2PCS]
D4.	ø48 ROUND END CAP (E4011)	[2PCS]
D5.	ø1" ROUND END CAP (E4012)	[4PCS]
D6.	50X45 NYLON BUSHING (E4009)	[1PCS]
D7.	ø1"x130L RUBBER GRIP (E4027)	[1PCS]
D8.	RUBBER BAR CATCH (E2006)	[1PCS]
D9.	QUICK RELEASE RING PIN (E1007)	[1PCS]
D10.	95X140 NO-SLIP TAPE (E5024)	[2PCS]
D11.	ø3 1/2"x8" FOAM ROLLER(F4004)	[2PCS]

A	[1PCS]	
B	[1PCS]	
C	[1PCS]	
D	[1PCS]	
E	[1PCS]	
F	[1PCS]	
G	[1PCS]	
H	[1PCS]	
I	[1PCS]	
J	[1PCS]	
K	[1PCS]	



# PSC-43

