

SPIRIT 1.0 POD DRIVE USER MANUAL

Sep, 2018 Version 1.0

Copyright © 2018 ePropulsion All Rights Reserved

Acknowledgement

Thanks for choosing ePropulsion products, your trust and support in our company are sincerely appreciated. We are dedicated to providing high-performance electric outboards, electric pod drives, sup/kayak motors, reliable lithium batteries and accessories.

Welcome to visit www.epropulsion.com and contact us if you have any concerns.

Using This Manual

Before use of the product, please read this user manual thoroughly to understand the correct and safe operations. By using this product, you hereby agree that you have fully read and understood all contents of this manual. ePropulsion accepts no liability for any damage or injury caused by operations that contradict this manual.

Due to ongoing optimization of our products, ePropulsion reserves the rights of constantly adjusting the contents described in the manual. ePropulsion also reserves the intellectual property rights and industrial property rights including copyrights, patents, logos and designs, etc.

This manual is subject to update without prior notice, please visit our website www.epropulsion.com for the latest version. If you find any discrepancy between your products and this manual, or should you have any doubts concerning the product or the manual, please visit www.epropulsion.com.

ePropulsion reserves the rights of final interpretation of this manual.

This manual is multilingual, in case of any discrepancy in the interpretation of different language versions, the English version shall prevail.

Symbols

The following symbols will help to acquire some key information.

 Important instructions or warnings

 Useful information or tips

Product Identification

Below picture indicates the serial numbers of SPIRIT 1.0 Pod Drive, Controller Module and SPIRIT Remote Control. Please note the position of the serial numbers and record them for access to warranty service and other after-sales services.

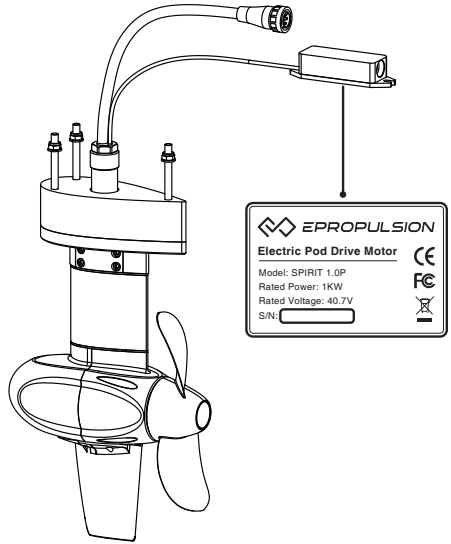


Figure 0-1

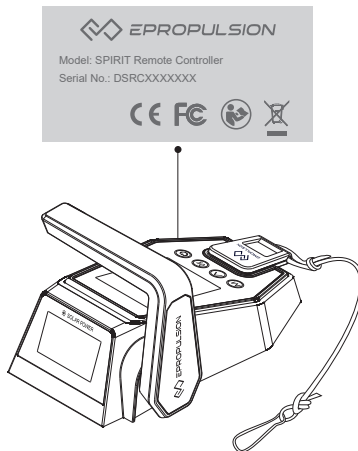


Figure 0-2



The remote control needs to be purchased separately.

Table of Contents

- Acknowledgement1
- Using This Manual.....1
- Symbols1
- Table of Contents3
- 1 Product Overview.....5
 - 1.1 In the Package5
 - 1.2 Parts and Diagrams7
 - 1.3 Technical Data8
 - 1.4 Declaration of Conformity.....9
 - 1.5 Important Notes10
- 2 Checking the Propeller.....12
- 3 Mounting the Motor.....13
- 4 Connecting the Battery15
- 5 Remote Control16
 - 5.1 Displaying16
 - 5.2 Charging20
 - 5.2.1 Charging by Solar Power20
 - 5.2.2 Charging by Wired Connection.....20
 - 5.3 Power Adjusting.....22
 - 5.3.1 Power Adjusting for Remote Control.....22
 - 5.3.2 Recalibration23
 - 5.4 Use of Kill Switch.....24
 - 5.5 Pairing Remote Control with the Pod Drive24
 - 5.6 Switching remote communication mode.....26
 - 5.7 Warning Messages.....27
- 6 Checklist before Use.....30
- 7 Starting the Pod31
- 8 Stopping the Pod.....32
- 9 Maintenance33

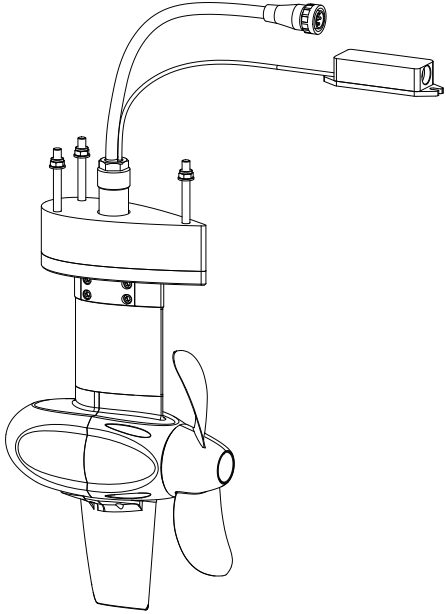
9.1 Propeller Maintenance.....33
9.2 Replacing the Anode33
10 Transport and Storage.....34
11 Emergency Situations.....35
 11.1 Collision.....35
 11.2 Low Battery Level.....35
12 Warranty36
 12.1 Warranty Policies36
 12.2 Out of Warranty37
 12.3 Warranty Claim Procedures.....37

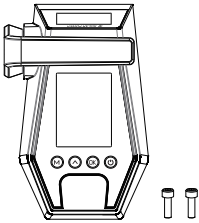
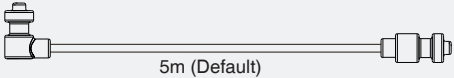
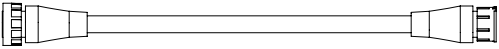

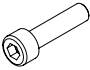
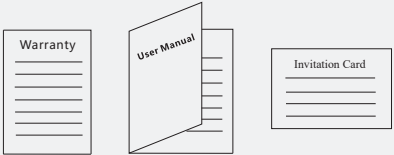
1 Product Overview





SPIRIT 1.0 Pod Drive is an electric pod drive motor system of 1kw input power, controlled by either SPIRIT Remote Control or Side Mount Control. Pod is gaining increasing population among boat owners in recent decades. But available premium electric pod systems are rare. Electric pod drives are environment-friendly, clean and very efficient. This 1kw electric pod drive system is equivalent of 3hp, perfect for recreational small and medium sized boats such as sailboats and some motor boats.

1.1 In the Package

When you receive a set of SPIRIT 1.0 Pod Drive, unpack its package and check if all the items below are included in the package. If there is any loss or transport damage, please contact your dealer immediately.

Items	Qty./Unit	Figure
Pod Motor	1 set	

Items	Qty./Unit	Figure
Remote Control (purchased separately)	1 set	
Communication Cable (5m)	1 piece	
SPIRIT Extension Power Cable (2m)	1 piece	
Kill Switch	2 pieces	
Hex Socket Round Head Screw M5	2 pieces	
User Manual, Warranty Card & Invitation Card	1 set	

-  The remote control needs to be purchased separately.
-  Other accessories such as batteries, charger, etc. appearing in this manual but not included in this package list require users to purchase them from ePropulsion authorized dealers.
-  The propeller is installed on the pod in the package.
-  Save ePropulsion original package for transport and storage.

1.2 Parts and Diagrams

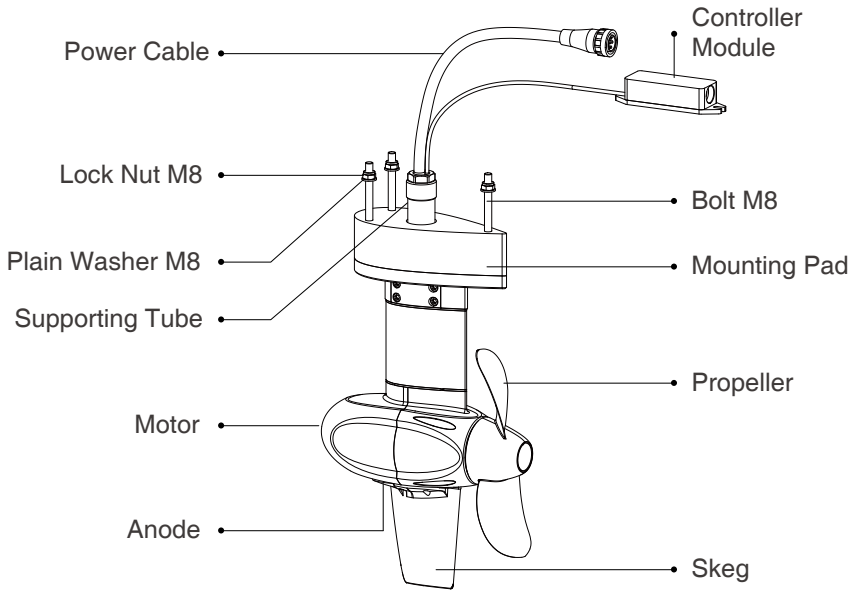


Figure 1-1

1.3 Technical Data

SPIRIT 1.0 Pod Drive	
Type	Electric
Rated Voltage / Current	40.7 V / 24.6 A
Comparable Petrol Outboard	3 HP
Maximum Overall Efficiency	55%
Rated Rotation Speed (Forward)	1200 rpm
Control System	Remote / Side Mount Control
Remote Communication	Wireless / Wired
Wireless Communication Distance	≤ 10 m
Side Mount Control Communication	Wired
Pod Drive Weight (Set)	5.3 kg
Propeller (Diameter / Pitch)	280 mm / 5.8"

1.4 Declaration of Conformity

Object of the Declaration:

Product: Electric Outboard Motor

Model: SPIRIT 1.0, SPIRIT 1.0-S, SPIRIT 1.0-L, SPIRIT 1.0-XS, SPIRIT 1.0P, SPIRIT 1.0C

Company Name: Dongguan ePropulsion Intelligence Technology Limited

Address: Room 202, Bldg.17A, Headquarter No.1, 4th XinZhu Road,
SongShan Lake District, Dong Guan City, Guang Dong Province,
China

The object of the declaration is in conformity with the following directives:

EMC Directives	2014/30/EU
MD Directives	2006/42/EC

Applied Standards:

EN 55014-1:2006+A1:2006+A2:2011	EN 55014-2:2015
EN 61000-3-2:2014	EN 61000-3-3:2013
EN 60204-1: 2016	EN ISO 12100:2010

This device complies with part 15 of the FCC Rules: Operation is subject to the following two conditions:

- (1) This device may not cause harmful interference and,
- (2) This device must accept any interference received, including interference that may cause undesired operation.

The original certificate was issued by

Shenzhen An-Teng Testing Service Co., Ltd. in Shenzhen, China.

CE Test Report NO.: ATT1710200301E, ATT1710200301M

Issued Date: October 20, 2017

FCC Test Report NO.: ATT1710200311F

Issued Date: October 20, 2017

Signature: 

Shizheng Tao, Chief Executive Officer & Cofounder of
Dongguan ePropulsion Intelligence Technology Limited

1.5 Important Notes

1. When choosing wireless remote control, ensure the top of the controller module is uncovered to avoid wireless signal attenuation.
2. Only adults who have fully read and understood this manual are allowed to operate this product. Read the full user manual carefully before operation, ePropulsion accepts no liability for any damage or malfunction caused by operations violating this manual.
3. Only boat owners who are familiar with their boats are allowed to use this pod system. For a newly bought boat, the boat owner should learn all aspects of the boat including how the boat behaves in different conditions and practicing controlling the boat before mounting and operating this pod system.
4. Before operation, familiarize yourself with all the functions and operations of this product. If there is more than one person onboard, make sure you are not the only one onboard who knows how to operate this pod drive system to help in case of an unforeseen emergency.
5. Follow boat builder's instructions to mount this product to your boat. It is suggested to have certified boat builders or professional installers to install this pod system to your boat. Never try to install the pod system on your own if you never have experience of mounting a pod to your boat before.
6. Check the weather before operation.
7. Watch the environment before operation. The rotating blades of pod drives are very dangerous and will hurt people or creatures. Do not operate the pod drive in areas with swimmers or bathers around.
8. If the pod drive system is the only power source of your boat, make sure batteries on board have enough power for your round trip. We recommend you to calculate distance and battery consumption.
9. Check before each trip if there are enough safety equipment including but not limited to enough life jackets, personal flotation devices, fire extinguishers, bells and whistles, communication equipment, and paddles, etc. Check available local boating safety requirement before operating.
10. If the pod drive strikes other objects in the water, please stop running immediately. Return to the nearest harbor and find your dealer for assistance.

11. If an error code displays and the pod drive malfunctions, please reset the throttle to zero position and cut the power off, then refer to the Warning Information to acquire the solution to the error.
12. Stop the pod drive immediately if someone falls into water.
13. Only run the pod drive while the propeller is under water.

2 Checking the Propeller

The propeller is assembled on the pod drive. Before use, check the propeller and if necessary, eg. the original propeller is broken, change a new propeller. Follow instructions in Figure 2-1 to assemble a propeller properly.

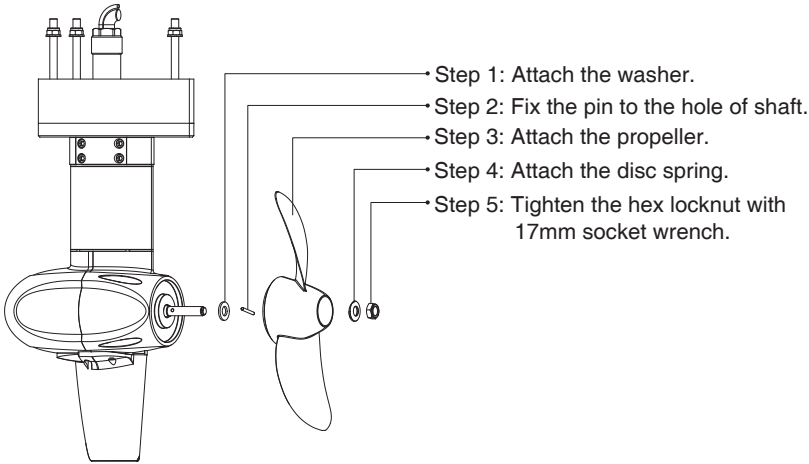


Figure 2-1

3 Mounting the Motor

⚠ It is suggested to have certified boat builders or professional installers to install this pod system to your boat. Follow boat builder's instructions strictly to mount this product to your boat. Never try to install the pod system on your own if you are not experienced at that.

Step 1: Drill four holes in the proper position through the hull bottom. The suggested dimensions of the four holes are shown below:

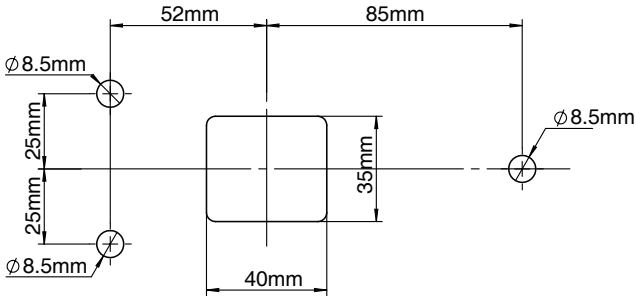


Figure 3-1

Step 2: Hold the pod motor and insert its three M8 bolts and supporting tube into the holes from below the hull bottom. Then lock each M8 bolt from inside the boat by a plain washer and a nut (Figure 3-2).

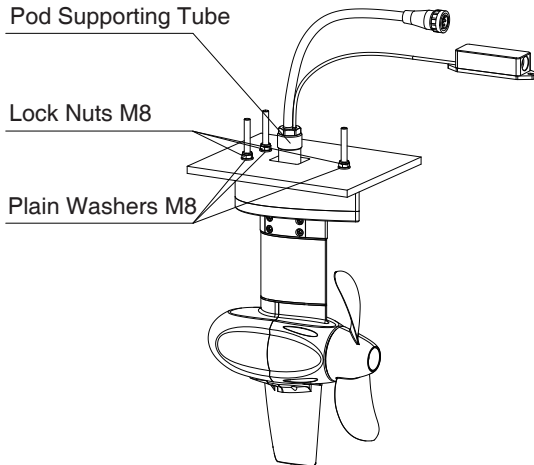


Figure 3-2

Step 3: Place the controller module in an appropriate place on board and fix it with two M5 screws.

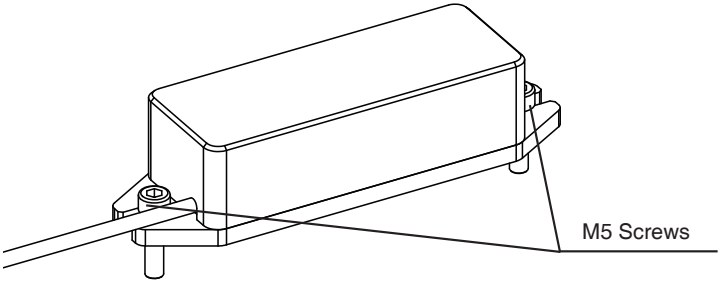


Figure 3-3

4 Connecting the Battery

To enjoy the pleasure on water of SPIRIT 1.0 Pod Drive, it is recommended to use SPIRIT Battery of ePropulsion. The steps for connecting the battery is shown below:

- ① Before connecting the battery, please fix the battery on the board.
- ② Plug the connector of the power cable into the discharging connector of the battery (as shown in the figure), then tighten the connector clockwise.

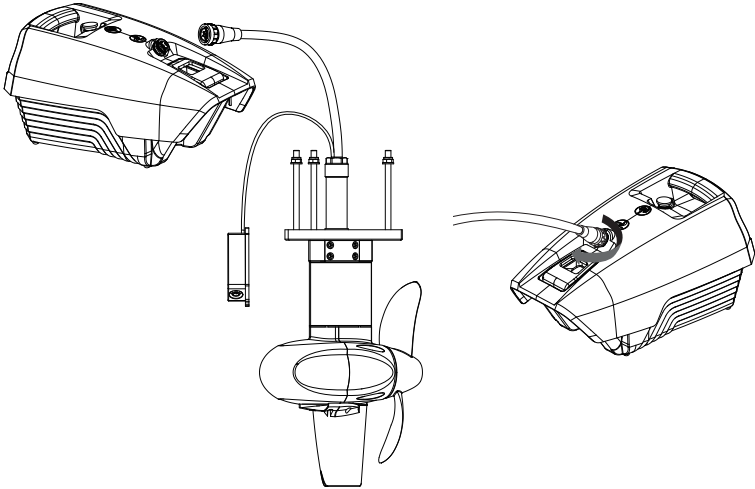


Figure 4-1

- 💡 Make sure the power cable connector and socket are dry before connecting to avoid short-circuit.
- 💡 Please spray and clean the connectors about every 3 months with contact spray.

5 Remote Control

SPIRIT Remote Control is used to start and stop the motor, adjust speed, configure battery parameters and display system information, etc.

5.1 Displaying

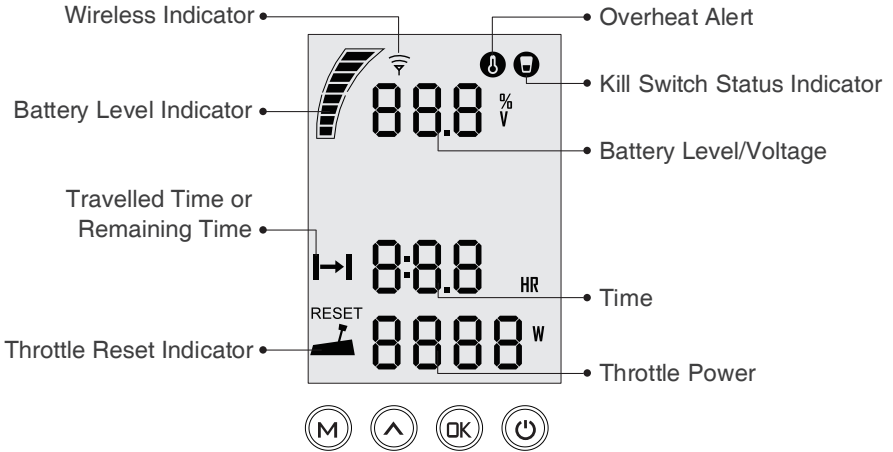

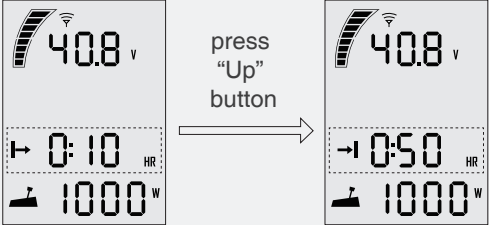





Figure 5-1




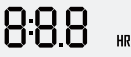

Buttons	Functions
 "Power"	<ol style="list-style-type: none"> 1. In power-off state, press and hold the power button to power on the remote control. 2. In power-on state, press and hold the power button to power off the remote control.



Buttons	Functions
<p>OK "OK"</p>	<ol style="list-style-type: none"> 1. If home page displays or all characters display on the page, press "OK" button and hold 5s to enter the pairing page. 2. On home page, press "OK" button to switch the display between current battery level or current battery voltage. 3. On switching remote communication page, long press "OK" button to return to the home page.
<p>^ "Up"</p>	<ol style="list-style-type: none"> 1. In power-on state, when home page displays, press "^" button and hold 10s to enter the throttle calibration page. 2. On home page, press "^" button to switch the travelling time displaying icon between "→" and "←". <div style="text-align: center;">  <p>press "Up" button</p> <p>Main page 1 Main page 2</p> </div> <ol style="list-style-type: none"> 3. On switching remote communication page, press "^" button to switch between wireless communication and wired communication.
<p>M "Menu"</p>	<p>On any page, press "M" button to return home page.</p>

 If users enter the page without setting any parameters, the current parameters displayed on the page will be saved as user parameters by default.

 If "595 in if" shows on start-up, it indicates system initialization.

Icons	Functions	
	<p>Battery level indicator</p>	<p>Indicating approximate battery level. The solid blocks stand for remaining battery.</p>

Icons	Functions	
	Battery level/ voltage	Indicating accurate current battery level percentage/battery voltage, is configurable in preference setting page. For example: 100% : indicates current battery level. 40.8v : indicates current battery voltage.
	Over-heat alert	Hidden: system temperature is in normal range. Blink: system temperature is a little high and the maximum input power of motor has been lowered than 1KW. Shown constantly: system is over temperature and the pod will stop working. The pod can't be started until the system temperature drops to a certain level.
	Kill switch status indicator	Hidden: kill switch is present and is working well. Shown constantly: the kill switch is detached.
	Time display	Displaying real time travel time. The time unit is HR (hour).
	Travelled time or remaining time	→ : Remaining time that the pod system can travel. → : Travelled time.


Icons	Functions	
	<p>Throttle Power</p>	<p>Displaying real time input power to the system. A blinking “RESET” indicating the throttle should be reset to zero position.</p>
	<p>Wireless Indicator</p>	<p>Indicating the remote control is connecting with the pod drive by wireless communication.</p>

5.2 Charging

The remote control has an in-built lithium battery for power supply. The battery will be charged automatically under normal use: get charged by solar power or wired connection.

5.2.1 Charging by Solar Power

When the solar panel receives enough sunshine, it will generate electricity to charge the in-built lithium battery.

 Face the solar panel of the remote control toward sunlight to get better charging effect.

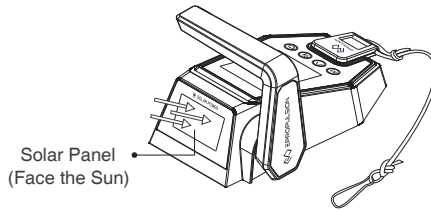



Figure 5-2

 Charging by solar power is recommended.

5.2.2 Charging by Wired Connection

If the remote control can't get enough solar power for a long time, the battery will run out. In this case, error code E60 (Figure 5-3) will display to remind you to charge the remote control.



Figure 5-3

In this case, charging by wired connection is faster.

Use a communication cable to connect the remote control and the controller module. Then make sure the system battery is well connected to the controller module and powered on.

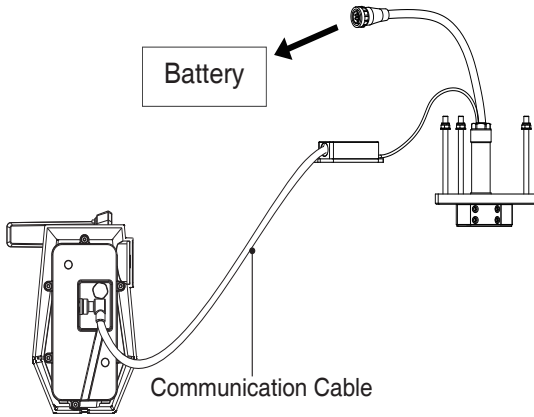





Figure 5-4

-  During long-term storage, ensure to charge the remote control every 6 months to avoid over-discharge.
-  After long-term storage, charge the remote control before use.
-  Once the communication cable disconnects, charging automatically stops and the running motor stops. Please restart the motor.

5.3 Power Adjusting

5.3.1 Power Adjusting for Remote Control

The Remote Control is mainly used to adjust the input power of the motor. When the battery is well connected and switched on, power on the Remote Control to start the pod drive, then slowly push the throttle forward position to increase the power. The maximum forward/backward power is 1KW.

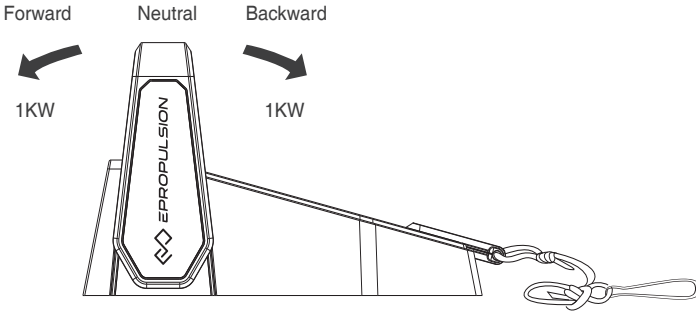








Figure 5-5

- 💡 Before power on the Remote Control, please reset the throttle to neutral position.
- 💡 If you find a blinking “**RESET**” on the display panel, you are reminded to reset the throttle to neutral position.
- 💡 If you turn the throttle from the forward position to the backward position directly, the motor will first stop shortly, then start turning to the reverse direction.

5.3.2 Recalibration

Throttle position sensor should be recalibrated if error code E30 displays.

 Users should calibrate the throttle **strictly** as below steps.

Recalibration process	LCD Displaying
<p>Step1: Long press “^” button for 10s until “CAL FO” displays.</p>	
<p>Step2: Push the throttle to the maximum forward power position, then press “^” button. “CAL ST” will display and “CAL” will be blinking.</p>	
<p>Step3: Pull the throttle to the middle (zero) position, then press “^” button, “CAL bA” will display and “CAL” will be blinking.</p>	
<p>Step4: Pull the throttle to the maximum backward power position, then press “^” button. “CAL FO” will display and calibration is completed. A blinking “RESET” will display to remind you to reset the throttle to zero position.</p>	
<p>Step5: Push the throttle to zero position and press the “M” button and return to the main page.</p>	

5.4 Use of Kill Switch

- Attach the kill switch and tie its lanyard to your wrist or life jacket.
- Stop the pod drive in emergency by detaching the kill switch.
- To run the motor again, first attach the kill switch then start the motor.

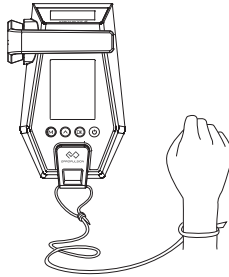


Figure 5-6

- ⚠ The kill switch generates magnetic field. Keep it 50cm / 20inches away from medical implants like pacemakers and magnetic cards (e.g. credit card) as well as other magnetic media.
- ⚠ The magnetic field of the kill switch may interfere with some electronic instruments. Keep it away from these electronic instruments.

5.5 Pairing Remote Control with the Pod Drive

Before use please pair remote control with the pod drive. There are two methods to pair the remote control. Please choose one of the two methods and follow the steps to build new communication.

Method 1. Automatic Pairing without Communication Cable

Step1: Switch off system power and hold the remote control within 0.5m of the controller module.

Step2: Press and hold the “⏻” button to switch on the remote control.

Step3: Ensure the wireless indicator is shown constantly on the home page.

- 💡 If it is not in the wireless communication status (the wireless indicator is not bright), you should refer *5.6 Switching remote communication mode* to switch the correct remote communication mode.

Step4: Press “OK” button and hold 5s to enter the pairing setting page (Figure 5-7). On this page, you can find the blinking “Add” (address) and “SEF” (set), and a countdown timer “060” (60s).



Figure 5-7

Step5: Switch on system power. Wait for them to get paired in seconds.

Step6: After pairing, the LCD panel will display as Figure 5-8 for 5s, then returning to home page automatically.

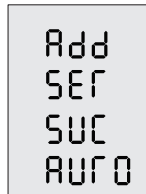


Figure 5-8



If pairing fails within 60s, go back to **Step3** and try again.

Method 2. Automatic Pairing with Communication Cable

Step1: Switch off system power and the remote control.

Step2: Ensure the wireless indicator is hidden on the home page.



If it is in the wireless communication status (the wireless indicator is bright), you should refer *5.6 Switching remote communication mode* to switch the correct remote communication mode.

Step3: Connect the remote control and the controller module with a communication cable.

Step4: Switch on system power and the remote control. Wait for them to get paired in seconds. Pairing succeeds when home page displays.



If “555” shows on start-up, it indicates system initialization.

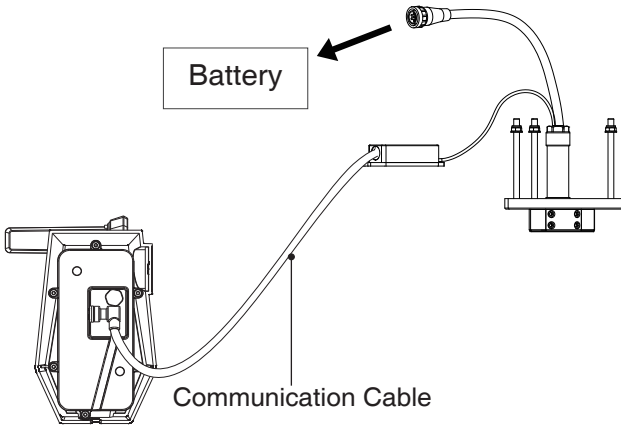


Figure 5-9

5.6 Switching remote communication mode

Users can switch between wireless communication and wired communication manually by following steps:






- Step1:** Long press “” button to switch on the remote control, then enter the home page;
- Step2:** Long press “” button and “” button at the same time until entering the switching page (as shown in the figure 5-10) which can switch between wireless communication and wired communication.



Figure 5-10

- Step3:** Press “” to switch wireless communication or wired communication, then long press “” to return to the home page.

5.7 Warning Messages

When the pod drive is running in abnormal conditions or malfunctioning, a warning message will display with an error code. The table below will help you get a solution.

Code	Description	Solution
E01	Motor Over Voltage	Stop the motor and wait until the error message disappears. If the problem still exists, contact your dealer for repairing.
E02	Motor Over Current	Disconnect the battery and check if the motor is blocked. If not, continue driving at low speed. If this issue cannot be solved, please contact your dealer.
E03/ E04	Motor Overheating	Wait a few minutes until the motor cools down and the warning message disappears.
E05	Motor Under Voltage	Indicate the battery level is extremely low. The pod drive can probably be restarted at lower speed after the message is dismissed.
E10	Motor Blocked	Disconnect the battery and remove anything that is blocking the motor. Make sure the propeller can be rotated by hand smoothly.
E20	Battery Communication Fault	Turn off the motor and reconnect the battery cable. If this issue cannot be solved, please contact your dealer.
E21	Motor Communication Fault	Turn off the motor and reconnect the battery cable. If this issue cannot be solved please contact your dealer.
E30	Throttle Calibration Required	Calibration process: 1. Press and hold "SELECT" button (≥ 10 secs) until "CAL Fo" is displays. 2. Rotate the throttle forward to full power position and press "SELECT" button. "CAL ST" will display.

Code	Description	Solution
		<p>3. Put the throttle to zero (stop) position and press "SELECT" button. "CAL BA" will be display.</p> <p>4. Rotate the throttle backward to full power position and press "SELECT" button, the display will return to normal and the calibration is completed.</p>
E40	System running failure	Please restart the remote control and the pod drive system. If this issue cannot be solved, please contact your dealer.
E51	Battery Temperature Fault	Make sure the environment temperature is within 0°C to 45°C. Charging will continue when cell temperature is in that range.
E54	Battery Pack Over Voltage	Stop the motor and wait until the error message disappears. If the problem persists, contact your dealer for repair.
E55	Battery Empty	Indicating the battery is empty. The outboard can probably be restarted at lower speed after the message is dismissed.
E56	Battery Charging Over Current	Please contact your dealer.
E57	Battery Discharging Over Current	Please contact your dealer.
E58	Battery Hardware Fault	Battery has encountered serious hardware breakdown. Please replace the battery and contact your dealer.
E59	Battery Cell Fault	Battery cell fault occurs, please replace the battery and contact your dealer to repair the problematic battery.

Code	Description	Solution
E60	The remote control is running out of power.	Please connect the remote control to the pod by a communication cable. Please refer to section <i>5.2.2 Charged by Wired Connection</i>
Other	Other faults	Please contact your dealer.


6 Checklist before Use

1. Ensure the propeller is correctly and firmly mounted on the pod drive.
2. Ensure the pod drive is correctly and firmly mounted on the boat.
3. Ensure the remote control and steering wheel are installed in proper position before turning on the power.
4. Ensure the throttle travels smoothly with no obstacles.
5. Before connecting the battery, check and make sure there is no poor contacts or defects in cables.
6. Ensure the battery has enough power.
7. Ensure the remote control has enough power.



Make sure the power cable is dry before connecting it to the battery or powering on the system.

7 Starting the Pod

1. Complete the check list.
2. Remove the kill switch from the remote control.
3. Push the throttle to zero position.
4. Connect the SPIRIT battery with the power cable.
5. Press “” button to turn on the remote control.
6. Pairing pod drive with remote control by wireless or communication cable.
7. Tie the kill switch to your wrist or life vest, then attach the kill switch on the remote control.
8. Push the throttle slowly to start running.

8 Stopping the Pod

It's recommended to stop the pod as the following procedures.

1. Return the throttle to zero position.
2. Wait until the motor stops, then detach the kill switch, and unplug the power cable.
3. Press and hold the “ ⏻ ” button until the remote control is switched off.

 The motor will also stop in any below situations.

- 1) Throttle is in zero position.
- 2) Kill switch is not placed in the correct position.
- 3) The power cable is not tightly connected with the battery.
- 4) Communication between remote control and controller module breaks.
- 5) Connection between battery and controller module breaks.
- 6) Failure exists in the control system (e.g. motor is blocked or the low battery voltage level is detected).

9 Maintenance

9.1 Propeller Maintenance

- ⚠️ Ensure the battery is disconnected before each check, as a rotating propeller is dangerous.
- ⚠️ Gloves are recommended to wear, in order to protect your hand from the sharp propeller edges.

Check the propeller based on the following tips, then refer to the *Chapter 2 Checking the Propeller* to replace a new propeller if necessary.

1. Check the propeller blades for wear broken and other damage.
2. Check the pin for wear and damage.
3. Check for water plants, fishing net or line twine around the propeller.

9.2 Replacing the Anode

Please refer to the figure below to replace a new anode if necessary.

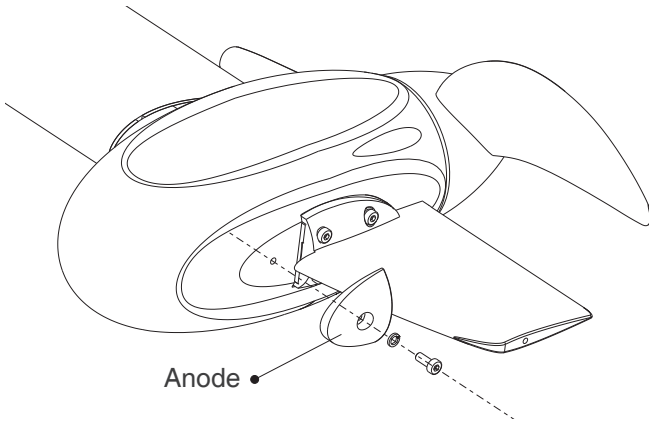


Figure 9-1

10 Transport and Storage

Before long distance transport or long-term storage, please use ePropulsion original package to pack the pod drive.

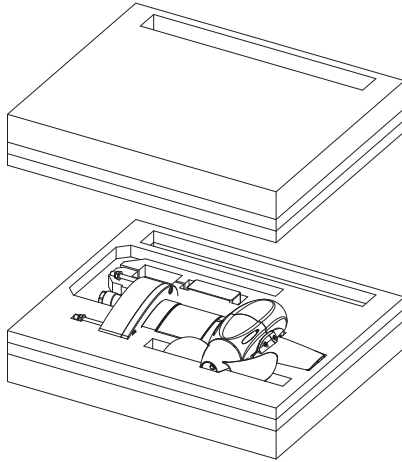




Figure 10-1

-  Make sure the pod drive gets adequate damping protection before transport and storage.
-  Store the pod drive in a well-ventilated and dry area without direct sun exposure.

11 Emergency Situations

11.1 Collision

If the pod strikes some object beneath the water, please follow below procedures.

1. Stop the pod immediately and then turn off the main switch.
2. Check the mechanical structure to see if there are damages.
3. Return to the nearest harbor or pier in low power.
4. Call your dealer to check the pod.

11.2 Low Battery Level

When the battery voltage is lower than a set threshold, the pod drive will stop automatically to prevent battery from over-discharging. If this happens when it is far away from the shore, and no new battery can be replaced, it is recommended to wait until the battery voltage recovers, and you can restart the pod drive to return with throttle power under 100W.

12 Warranty

The ePropulsion limited warranty is provided for the first end purchaser of an ePropulsion product. Consumers are entitled to a free repair or replacement of defective parts or parts which do not conform with the sales contract. This warranty operates in addition to your statutory rights under your local consumer law.

12.1 Warranty Policies

ePropulsion warrants its products to be free of defects in material and workmanship for a limited period for non-commercial purposes since the date of purchase. Once a fault is discovered, the user has the right to make a warranty claim under the ePropulsion warranty policy.

Product	Warranty Expiration Date
SPIRIT 1.0 Pod Drive	Two years after the date of purchase.
Repaired/Replaced Parts	Three months since the date of maintenance. Notes: 1. If the three-month period overlaps with the original warranty period, the warranty against these replaced or repaired parts still expires two years after the date of purchase. 2. If the three-month period exceeds the original warranty period, the warranty of the repaired or replaced parts expires by end of the third month since date of maintenance.




In order to validate the warranty, users are required to fill in the Warranty Card in the package in advance.




Keep the product label in an intact state and record the serial number on the label. Never tear the label off the product. An ePropulsion product without the original product label will not be applicable to warranty services provided by ePropulsion.



The warranty is valid only when the information is correct and complete.

 Free warranty is only validated upon the presentation of legal serial number, Warranty Card, and evidence of purchase from an authorized ePropulsion dealer.

 Valid date of purchase should be established by the first-hand purchaser with original sales slip.


 Free warranty is not transferable and will not be reissued.


12.2 Out of Warranty

Make sure the product is properly packed during delivery, the original ePropulsion package is recommended. If the product gets further damage due to improper packing during delivery, the furtherly damaged part will be deemed as out of warranty coverage.

In addition, faults or damages caused by the following reasons are also excluded from warranty scope within the covered period:

- Any improper operation that contradicts the user manual.
- Accident, misuse, wishful abuse, physical damage overcharging or unauthorized repair.
- Dropping, improper care or storage.
- Used for commercial purposes.

 You should be noted that minor faults like normal wear and tear that pose no influence on the intended function of the product are also not covered by the warranty.

 Consumables are out of warranty scope.

12.3 Warranty Claim Procedures

If you find your product defective, you can make a claim to your dealer following below procedures:

1. Fill in Warranty Card correctly and completely in advance. Then make your warranty claim by sending it to your authorized ePropulsion service partner together with valid proof of purchase. Usually these documents are required when making a warranty claim: the Warranty Card, ex-factory serial number, and evidence of purchase.
2. Send the defective product to your authorized ePropulsion service point after getting the confirmation. Note that the label should be kept intact.

You can also deliver the product to your authorized ePropulsion dealer after getting confirmation.

3. The defective components or parts will be either repaired or replaced according to the diagnosis made by the ePropulsion authorized service partner.
4. If your warranty claim is accepted, the equipment will be repaired or replaced free of charge. Note that any delivery cost incurred in the process is at your charge.
5. After careful examination and confirmation by ePropulsion authorized dealer, the defective or faulty components will be repaired or replaced with brand new ones against the actual condition.
6. In case your warranty claim be rejected, an estimated repair charge with round trip delivery cost will be sent for confirmation. ePropulsion authorized service point will conduct maintenance accordingly only after your confirmation.



If warranty expires, you can still enjoy maintenance services from authorized ePropulsion service partners with minimum maintenance charge.

Thanks for reading this user manual.

If you have any concerns or find any problems while reading, please don't hesitate to contact us. We are delighted to offer service for you.

Dongguan ePropulsion Intelligence Technology Limited

Website: www.epropulsion.com

Email: service@epropulsion.com