



Compression sprayer with 5 litre useful capacity.  
Conveniently transportable with a shoulder strap.  
Sprayer suitable for use in medium gardens.



## Advantages

- Safe and no overpressure risk thanks to the safety valve.
- Complete use of the liquid thanks to the lower hose connection.



## Functional information



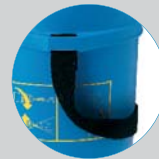
Lightweight lever with integrated handle



Handle for transport and pressurisation



Large funnel-shaped filling opening



Adjustable strap



Liquid level indicator through transparent hose



Safety valve



PVC lance



Lance fixers and hose for easy transport

## Technical information

Technical information	POLITA 7
VALVE	YES
HOSE	1.15 m translucent PVC
STANDARD NOZZLES	Adjustable conical
LANCE	PVC
USEFUL CAPACITY	5 L
TOTAL CAPACITY	7 L
LITRES/MIN. 1,5 BAR	0.43 l/m
LITRES/MIN. 3 BAR	0.60 l/m
NET WEIGHT	1.09 Kg
WIDE FILLER OPENING	YES
STANDARD ACCESSORIES	NO
LANCE AND EXTENSIONS	Lance
STRAPS	Adjustable
PRESSURE REGULATOR	NO

## Logistics data

Logistics data	POLITA 7
CODE	8.28.40
EAN	84.14685.10088.7
CONDITIONING	4 units
UNITS PER PALLET	48 units
DIMENSIONS PER PALLET	1200 X 800 X 1100

## MAINTENANCE KITS



**PP MAINTENANCE KIT**  
Reference 8.38.05.870  
Keep your sprayer at peak performance. Designed for 5-9 L sprayers.

ROUND SEAL AN-5 No. 136	2.23.15.905	
RETAINER CLAMP No. 164	8.39.02.314	
ROUND SEAL AN-30 No. 159	2.23.15.930	
CHAMBER VALVE No. 165	8.38.05.314.1	



## ACCESSORIES

Personalize your sprayer adapting it to your application needs (height, hard-to-reach areas...)



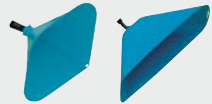
**3.2 M TELESCOPIC LANCE**  
Reference 8.35.40.913



**DOUBLE ADJUSTABLE NOZZLE**  
Reference 8.34.46.802



**4-HOLE NOZZLE**  
Reference 8.34.46.801



**CONICAL HOOD**  
Reference 8.34.40.870  
**RECTANGULAR HOOD**  
Reference 8.34.40.871



**NORMAL WEED-KILLERS ELBOW**  
Reference 8.34.60.934



**LOW-VOLUME WEED-KILLERS ELBOW**  
Reference 8.34.60.935



**NOZZLE SET**  
Reference 8.34.46.870



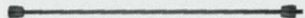
**1 M ALUMINIUM LANCE TUBE WITH COMPLETE ELBOW**  
Reference 8.34.60.871  
**1.5 M ALUMINIUM LANCE TUBE WITH COMPLETE ELBOW**  
Reference 8.34.60.872



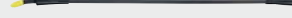
**EXTENDIBLE DOUBLE NOZZLE**  
Reference 8.35.40.872



**TELESCOPIC EXTENSION**  
Reference 8.35.40.876



**EXTENSION 0.5M**  
Reference 8.35.40.870



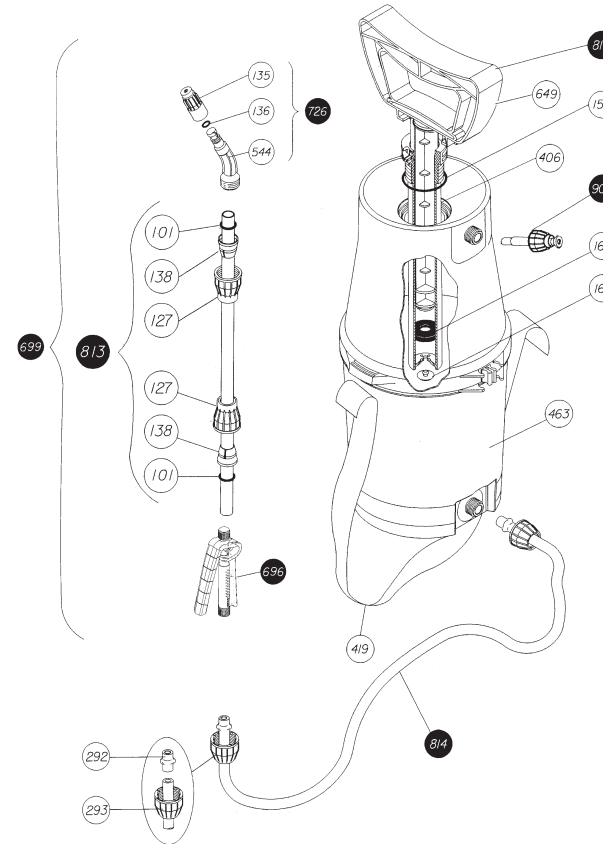
**1 M FIBREGLASS LANCE TUBE WITH COMPLETE ELBOW**  
Reference 8.34.60.873  
**1.5 M FIBREGLASS LANCE TUBE WITH COMPLETE ELBOW**  
Reference 8.34.60.874



**FLEXIBLE DOUBLE NOZZLE**  
Reference 8.35.40.871

## SPARE PARTS

Extend the service life of your sprayer easily replacing parts.



N.	COD.	Q	SPARE PARTS NAME
101	2.23.15.908	2	ROUND GASKET AN-8
127	8.38.12.323	2	CONE NUT
135	8.39.02.323	1	NOZZLE Ø 1
136	2.23.15.905	1	ROUND GASKET AN-5
138	8.38.12.328	2	Ø 10 CONE
159	2.23.15.930	1	ROUND GASKET AN-30
164	8.39.02.314	1	COLLAR SEAL
165	8.38.05.314.1	1	CHAMBER VALVE
292	8.38.08.328	2	HOSE BUSHING
293	8.38.12.312	2	NUT
406	8.38.46.303	1	CHAMBER
419	8.38.48.420	1	STRAP
463	8.28.40.301	1	POLITA-7 TANK
544	8.28.40.322	1	SPRAYER
649	8.38.48.308	1	HANDLE
696	8.28.28.610	1	LANCE HANDLE
699	8.28.28.804	1	COMPLETE LANCE
726	8.38.08.803	1	ELBOW BEND WITH NOZZLE
813	8.38.48.813	1	TUBE WITH NUTS
814	8.38.48.805	1	COMPLETE HOSE
815	8.38.48.601	1	COMPLETE CYLINDER
903	8.38.47.606	1	SAFETY VALVE
	8.28.40.200	1	INSTRUCTION SHEET
	8.28.40.201	1	PACKAGING