



Compression sprayer with 1 litre useful capacity.
Suitable for houses, balconies, terraces and small gardens.



Technical information

| Technical information | BERRY 1,5 |
|-----------------------------|--------------------|
| VALVE | YES |
| STANDARD NOZZLES | Adjustable conical |
| USEFUL CAPACITY | 1 L |
| TOTAL CAPACITY | 1.5 L |
| NET WEIGHT | 0.33 Kg |
| TRANSLUCENT LEVEL INDICATOR | YES |

Logistics data

| Logistics data | BERRY 1,5 |
|-----------------------|------------------|
| CODE | 8.18.41 |
| EAN | 84.14685.10157.0 |
| CONDITIONING | 6 units |
| UNITS PER PALLET | 90 units |
| DIMENSIONS PER PALLET | 1200 X 800 X 990 |

MAINTENANCE KITS

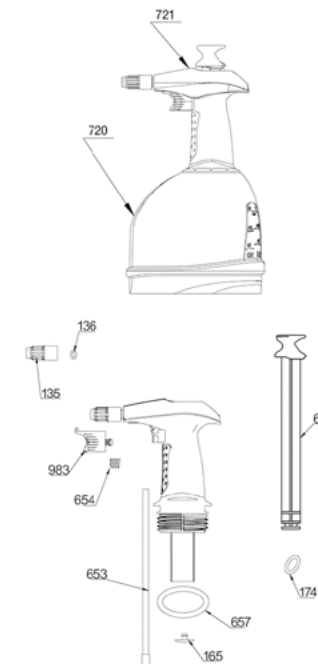


1.5 PP MAINTENANCE KIT
Reference 8.38.018.70
Keep your sprayer at peak performance. Designed for 1.5 L sprayers.

| | | |
|-------------------------|---------------|--|
| NOZZLE Ø1 No. 135 | 8.39.02.323 | |
| ROUND SEAL AN-5 No. 136 | 2.23.15.905 | |
| CHAMBER VALVE No. 165 | 8.38.05.314.1 | |
| O-RING No. 657 | 2.23.99.132 | |
| | | |

SPARE PARTS

Extend the service life of your sprayer easily replacing parts.



| N. | COD. | Q | SPARE PARTS NAME |
|-----|---------------|---|--------------------|
| 135 | 8.39.02.323 | 1 | NOZZLE Ø 1 |
| 136 | 2.23.15.905 | 1 | ROUND GASKET AN-5 |
| 165 | 8.38.05.314.1 | 1 | CHAMBER VALVE |
| 174 | 2.23.99.439 | 1 | ROUND GASKET Ø 15 |
| 652 | 8.28.27.304 | 1 | HANDLE |
| 653 | 8.28.27.320 | 1 | TUBE WITH FILTER |
| 654 | 8.28.27.309 | 1 | SPRING |
| 657 | 2.23.99.132 | 1 | ROUND GASKET |
| 720 | 8.18.41.301 | 1 | BERRY-1,5 TANK |
| 721 | 8.18.41.801 | 1 | COMPLETE BODY |
| 983 | 8.28.27.803 | 1 | TRIGGER WITH SEALS |
| | 8.18.41.200 | 1 | INSTRUCTION SHEET |
| | 8.18.41.201 | 1 | PACKAGING |

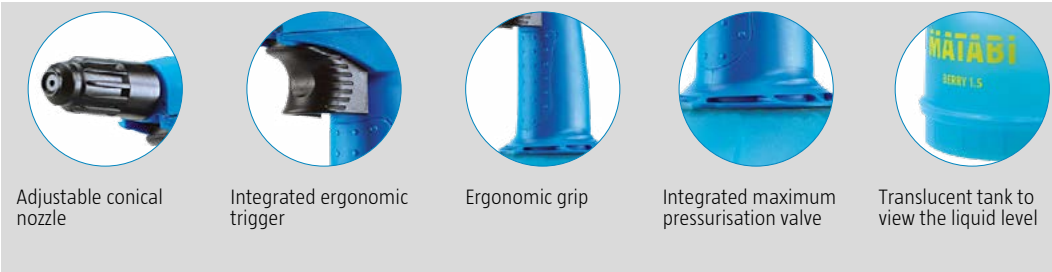


Advantages

- Greater stability thanks to the wide base.
- Ergonomic design with translucent tank.
- Integrated safety valve.
- Suitable for application of products of natural origin (pelargonicon, acetic, etc...).



Functional information



Adjustable conical nozzle

Integrated ergonomic trigger

Ergonomic grip

Integrated maximum pressurisation valve

Translucent tank to view the liquid level