



Compression sprayer with 5 litre useful capacity, with an innovative design and an ergonomic pressure system. Sprayer suitable for use in medium gardens.



Advantages

- The large size of the separate filling opening allows a complete, fast and save filling and emptying.
- Translucent tank to see the liquid level.
- Cover with integrated dispenser (4 levels).
- Safety valve integrated in the cover for an easy decompression.
- Easy placement of the lance for storage and transportation.
- Suitable for application of products of natural origin (pelargonio, acetic, etc...).



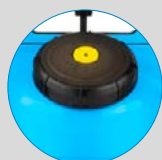
Functional information



Low-effort ergonomic handle



Ergonomic handle for transport and pressurisation



Depressurisation valve integrated into the cover



2/5/10/15 ml dispenser integrated into the cover



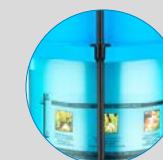
Translucent tank to view the liquid level



Hose connections to the lance and to the tank by thread without clamps or fittings



Fibreglass lance



Easy-to-assemble lance clamping system



Adjustable strap

Technical information

Technical information	EVOLUTION 7
VALVE	YES
HOSE	1,3m PVC
STANDARD NOZZLES	Adjustable conical
LANCE	Fibreglass
USABLE CAPACITY	5 L
TOTAL CAPACITY	7 L
LITRES/MIN. 1,5 BAR	0,43 l/m
LITRES/MIN. 3 BAR	0,60 l/m
NET WEIGHT	1,48 Kg
WIDE FILLER OPENING	YES
TRANSLUCENT LEVEL INDICATOR	YES
STANDARD ACCESSORIES	NO
LANCE AND EXTENSIONS	Lance
STRAPS	Adjustable
PRESSURE REGULATOR	NO

Logistics data

Logistics Data	EVOLUTION 7
CODE	8.20.47
EAN	84.14685.10179.2
CONDITIONING	4 units
UNITS PER PALLET	48 units
DIMENSIONS PER PALLET	1200 X 800 X 1100

MAINTENANCE KITS



PP MAINTENANCE KIT
Reference 8.38.05.870
Keep your sprayer at peak performance. Designed for 5-9 L sprayers.

ROUND SEAL AN-5 No. 136	2.23.15.905	
RETAINER CLAMP No. 164	8.39.02.314	
ROUND SEAL AN-30 No. 159	2.23.15.930	
CHAMBER VALVE No. 165	8.38.05.314.1	



ACCESSORIES

Personalize your sprayer adapting it to your application needs (height, hard-to-reach areas...)



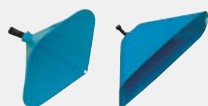
3.2 M TELESCOPIC LANCE
Reference 8.35.40.913
5.4 M TELESCOPIC LANCE
Reference 8.35.40.915



DOUBLE ADJUSTABLE NOZZLE
Reference 8.34.46.802



4-HOLE NOZZLE
Reference 8.34.46.801



CONICAL HOOD
Reference 8.34.40.870
RECTANGULAR HOOD
Reference 8.34.40.871



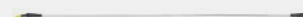
NORMAL WEED-KILLERS ELBOW
Reference 8.34.60.934



LOW-VOLUME WEED-KILLERS ELBOW
Reference 8.34.60.935



NOZZLE SET
Reference 8.34.46.870



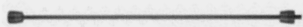
1 M ALUMINIUM LANCE TUBE WITH COMPLETE ELBOW
Reference 8.34.60.871
1.5 M ALUMINIUM LANCE TUBE WITH COMPLETE ELBOW
Reference 8.34.60.872



EXTENDIBLE DOUBLE NOZZLE
Reference 8.35.40.872



TELESCOPIC EXTENSION
Reference 8.35.40.876



EXTENSION 0.5M
Reference 8.35.40.870



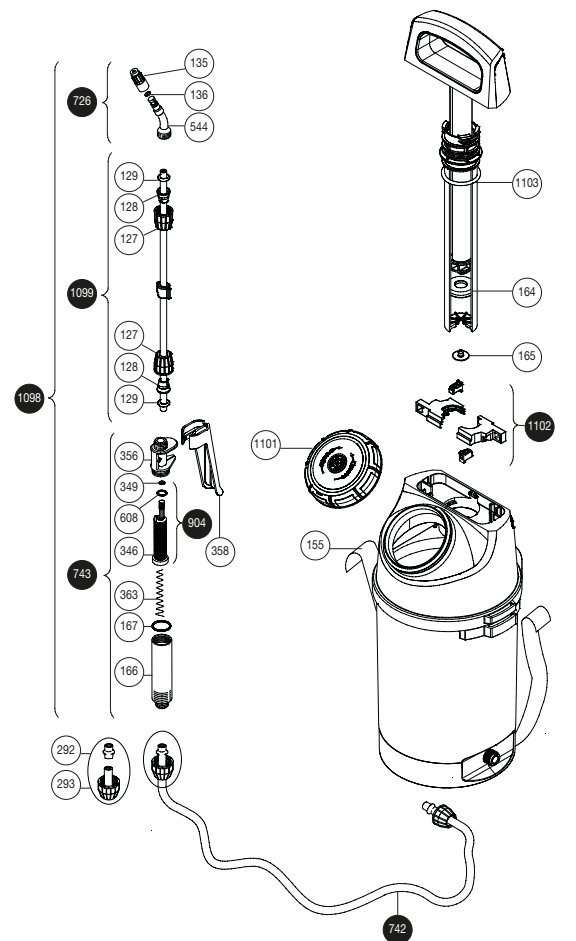
1 M FIBREGLASS LANCE TUBE WITH COMPLETE ELBOW
Reference 8.34.60.873
1.5 M FIBREGLASS LANCE TUBE WITH COMPLETE ELBOW
Reference 8.34.60.874



FLEXIBLE DOUBLE NOZZLE
Reference 8.35.40.871

SPARE PARTS

Extend the service life of your sprayer easily replacing parts



N.	COD.	Q	SPARE PARTS NAME
127	8.38.12.323	2	CONE NUT
128	8.38.12.324	2	Ø 8 CONE
129	2.23.99.910	2	ROUND GASKET Ø 7,5
135	8.39.02.323	1	NOZZLE Ø 1
136	2.23.15.905	1	ROUND GASKET AN-5
155	8.38.12.420	1	STRAP
164	8.39.02.314	1	COLLAR SEAL
165	8.38.05.314.1	1	CHAMBER VALVE
166	8.39.18.367	1	GRIP
167	2.23.15.914	1	ROUND GASKET AN-14
292	8.38.08.328	2	HOSE BUSHING
293	8.38.12.312	2	NUT
346	8.39.47.365	1	LANCE FILTER
349	2.23.16.903	1	ROUND GASKET AN-3
356	8.39.46.366	1	HANDLE BODY
358	8.39.46.368	1	BLACK GRIP
363	8.39.41.342	1	SPRING LANCE
544	8.28.40.322	1	SPRAYER
608	2.23.16.906	1	ROUND GASKET AN-6
726	8.38.08.803	1	ELBOW WITH NOZZLE
742	8.38.05.805	1	COMPLETE HOSE
743	8.38.08.801	1	COMPLETE HANDLE
904	8.39.47.811	1	FILTER WITH GASKET
1098	8.20.47.804	1	COMPLETE LANCE
1099	8.20.47.802	1	TUBE WITH NUTS
1100	8.20.47.801	1	EVOLUTION 7 TANK
1101	8.20.47.601	1	COMPLETE CAP
1102	8.20.47.602	1	STOPS SET
1103	2.23.15.795	1	ROUND GASKET 4x38
	82.047.200	1	INSTRUCTION SHEET
	8.20.47.201	1	PACKAGING