



Backpack manual powder duster with 9-litre capacity, a tube outlet and adjustable diffuser. Wide range of uses: from ant insecticides to sulphur-based fungicides.

Advantages

- Airtight closure on the lid.
- Large filling opening for easy filling and emptying.
- Adjustable powder dispenser.
- Suitable for use with products of ecological origin (diatomaceous earth).



Technical information

Technical information	POLMAX
USEFUL CAPACITY	9 L
TOTAL CAPACITY	9 L
GROSS WEIGHT	3.47 Kg
NET WEIGHT	3.06 Kg
WIDE FILLER OPENING	YES
STRAPS	Adjustable

Logistics data

Logistics data	POLMAX
CODE	8.03.40
EAN	84.14685.30008.9
CONDITIONING	1 unit
UNITS PER PALLET	14 units
DIMENSIONS PER PALLET	1200 X 800 X 960

Functional information



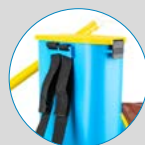
Strong and wide blower



Rigid extension tube



Flexible tube outlet



Large filling opening



Adjustable diffuser



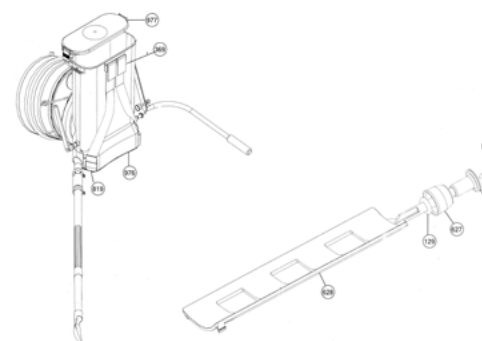
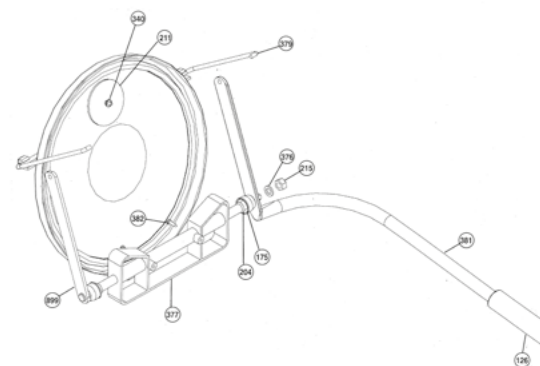
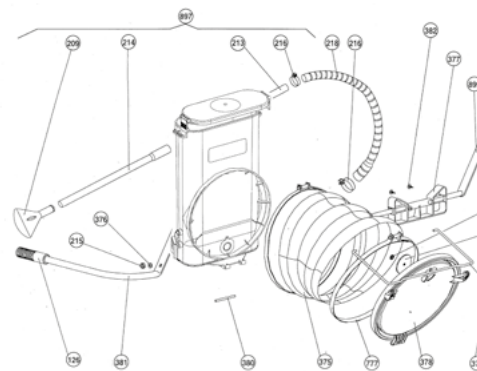
Powder dose dispenser



Adjustable straps

SPARE PARTS

Extend the service life of your sprayer easily replacing parts.



N.	COD.	Q	SPARE PARTS NAME
126	8.39.43.304.1	1	GRIP
129	2.23.99.910	1	ROUND GASKET 7,5
157	2.51.27.901	1	SCREW
175	8.38.08.312	2	NUT
204	2.23.99.533	2	ROUND GASKET
209	8.03.13.305	1	DIFFUSOR
211	8.03.03.331	1	LOCK VALVE
213	8.03.03.354	1	RIGID PIPE
214	8.03.03.454	1	RIGID EXTENSION PIPE
215	2.62.23.008	1	NUT M-8
216	2.01.24.031	2	31-35 CLAMP
218	8.03.43.021	1	FLEXIBLE TUBE
340	2.19.99.073	1	VALVE WASHER
369	8.39.47.420	1	STRAP
375	8.03.43.008	1	BELLOW
376	2.19.99.023	1	LEVER WASHER
377	8.03.43.303	1	AGITATOR
378	8.03.43.302	1	BELLOWS COVER
379	8.03.43.404	1	TIE BAR
380	8.03.43.320	1	RIFLED BOLT
381	8.03.43.007	1	LEVER
382	2.50.23.906	2	STIRRER SCREW
626	8.03.40.305	1	REGULATOR BAR
627	8.38.47.303	1	NUT
628	8.03.40.303	1	REGULATOR
777	8.03.03.805	2	CLAMP
819	8.39.47.802	1	STRAP WITH HOOK
897	8.03.40.806	1	BAG WITH PIPES
899	8.03.43.606	1	BAG WITH ARM
976	8.03.40.601	1	COMPLETE TANK
977	8.03.40.602	1	COMPLETE LID
	8.03.40.200	1	POLMAX INSTRUCTION SHEET
	8.03.40.201	1	POLMAX PACKAGING