

19" DYNAmax Free Standing Server C A B I N E T s



19" DYNAmax Free Standing Server Cabinets F A M I L Y

W=600mm and W=800mm DYNAmax Series Free Standing Server Cabinets

DYNAmax series Servering Enclosures, provide a proper environment for the server and storage equipments with professional ventilation structure as well the heavy duty construction to house the heavy loads of servering equipments.

While product gives maximum performance on servering infrastructure, in parallel provides a very respective economy compared to its quality which is based on high technologic fully automated industry.

The 600 series is available in 5 heights from 12U through to 45U, The 800 series is available with 2 different height of 42U and 45U. Each cabinet is supplied as standard with a %63 perforated curved metal front door, and %63 perforated split (wardrobe style) steel rear door and lift off steel side panels, all of which are lockable.

The wide product height portfolio meets any U requirement in infrastructure needs.

DYNAmax series have a professional technical but aesthetic look with decorative curved %63 perforated front door, the product range attracts the attention with the mostly environmentally fit and selected color of RAL 9005 Black, and RAL 7035 Light Grey, with fine wrinkle soft touch paint.

Completely standard and stocked product portfolio, being delivered a single piece assembled product, as shipping configuration the adjustable feet group and caster set is included.

DYNAmax Series product range with optimal panel mounting size, and a variety range of accesories enclose the whole expectation of users.



CONSTRUCTION DETAILS:

Main Profile- Framework- Top/Bottom Cases:
Multi Folded Automated Bending technology applied corner closed profile system, provides a heavy duty structure results to high load capacity of: 1000 kgs dynamic load.

Monoblock multi folded top and bottom cases, tightly fixed to the framework with fixing hardware , fully modular system generated.

Top case has a ready Forced Ventilation (Fan Module) integration housing.

Fan Module installation is from roof where the roof perforated pattern to be removed first.

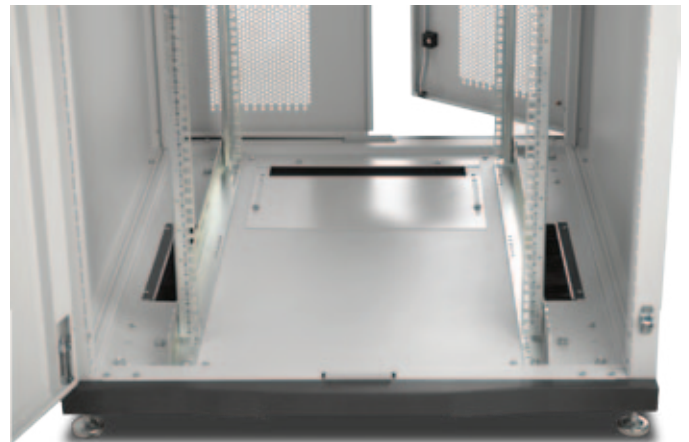
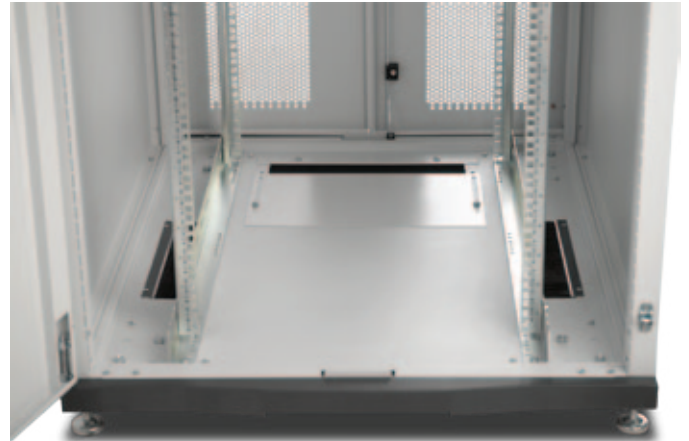
The advantage of this system is, once the Fan Unit needs maintenance or replacement and while the cabinet is carrying integrated active and passive devices, than no need to remove some of them to replace the Fan Module Unit. Lande Server Cabinet Fan Module Unit access is from roof where no interference with the already installed components inside cabinets.

Bottom case integrated with Wide cable entry point provides maximum versatility. The rubber edged sliding mechanism on the cable entry point at bottom with $w=350\text{mm} \times d=250\text{mm}$ allows large cabling infrastructure applications. On rubber edged sliding mechanism max cable entry opening is $w=350\text{mm} \times d=150\text{mm}$. After inserting the cables, the rubber edged mechanism holds and fixes the cables in parallel preventing the cabinet from dust entry.

W800mm segment bottom case , there is also $60 \times 300\text{mm}$ 2 pcs brushed cable entry points at sides are available.

Top case integrated with Wide cable entry point provides maximum versatility. The rubber edged sliding mechanism on the cable entry point at bottom with $w=175\text{mm} \times d=250\text{mm}$ allows large cabling infrastructure applications. On rubber edged sliding mechanism max cable entry opening is $w=175\text{mm} \times d=150\text{mm}$. After inserting the cables, the rubber edged mechanism holds and fixes the cables in parallel preventing the cabinet from dust entry.

W800mm segment top case , there is also $60 \times 300\text{mm}$ 2 pcs brushed cable entry points at sides are available.



CONSTRUCTION DETAILS:

Access to enclosure:
Front door monoblock %63 perforated curved welded structure with four point locking handled lock.

Curved Front Door with RAL 7035 Light Grey and RAL 9005 Black Colors charming the attraction in terms of visual appearance.

Front door opening direction is set right to left, but reversible to left to right at site with removing the hinge system. Hinge System is spring loaded easy operating version, which allows you to remove the whole front door from cabinet in seconds. Alternative doors and panels are available for customer selection. Please see door options at the end of each product size.

**12U 600x1000mm Underdesk Usage Mini Server Cabinet has single curved %63 perforated metal front door with single point handled locking system

Side Panels are lockable and removable with barrel style lock, Multifolded bending technology with 8 fold bending provides the rigidity. Easy mechanical locking of panel to main frame with snap capture system allows easy attachment of panels and easy removal in seconds while installation in process.

For easy handling in the installation process, the side panels are splitted in to 2 parts horizontally, for 36U and higher sizes. In 12U underdesk server cabinet segment and 26U size has single piece side panel as a conventional approach where the weight of side panel is illegible compared to 36U and higher sizes.

Rear Doors are in standard % 63 perforated Split rear door, with handled locking 3 point locking system.

**12U 600x1000mm Underdesk Usage Mini Server Cabinet has single flat %63 perforated metal rear door with single point handled locking system

Multifolded bending technology with 8 fold bending provides the rigidity in rear doors.

Incase of more mechanical and functional needs as a hinged rear door, there are various design and functionality on the created selection charts. Please see rear door options at the end of each product size.

All design features provide 4 way access to your enclosure and equipments, easy to reach to enclosure and equipments for all infrastucture installations and maintenance needs.



19" DYNAmax Free Standing Server Cabinets F A M I L Y

CONSTRUCTION DETAILS:

19" rails of Lande DYNAmax Series Free Standing Server cabinets are with automated silk-screen U numbering, depends on size 1U to 45U, from top to bottom or bottom to top results to same U height selection. No matter where you have started counting from 19" rails are 4 fold bending surfaces, 2,0 mm thickness provides the high load capacities. The 19" rails are made of steel with 8-12 micron zinc plating for corrosion resistance. 19" rails are adjustable in depth. For easy adjustment purpose, no need to detach the screws, just ease the screws and slide them in the channels on the top/bottom chassis bends.



Side Horizontal Support Bar in depth;
W600mm segment

12U and 26U 600x1000 has 2 left- 2 right Z side support bars.
36U 600x1000 has 3 left- 3 right Z side support bars
42U and 45U 600x1000 has 4 left – 4 right Z side support bars

W800mm segment

42U and 45U 800x1000 has 4 left and 4 right side support bars L and Z shaped.

All side support bars are 2,0mm thickness material with 8-12 micron zinc plating

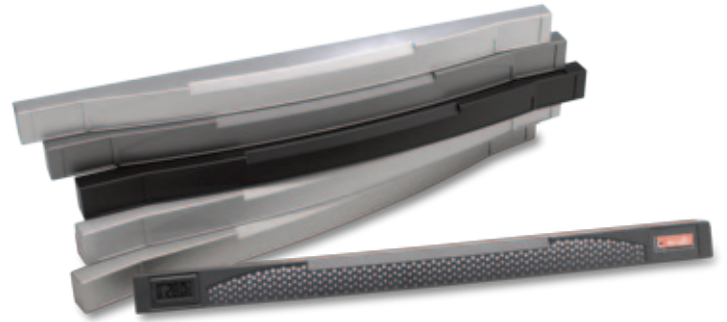


ADDITIONAL FEATURES:

DYNAmax Series Free Standing Server cabinets has a Decorative header unit, where has a placement of art designs, and logo.



DYNAmax Series Free Standing Server Cabinets has a decorative header unit. For volume orders or projects, please coordinate with sales department to select any other color application than Anthracite Grey and Black colors in standard offer of Lande.



Your company corporate colors are applicable!

DYNAmax Series Free Standing Server Cabinets in shipping configuration supplied with heavy duty caster group , as well 4 pcs as a set of Leveling Feet Group which is heavy duty 75mm height metal housing rubber feet



Width=600mm
Depth=1000mm

Standard Heights:

5 Different U Heights:
12U, 26U, 36U, 42U, 45U

Standards, and Compliances:



ISO 9001:2008
Quality Management System

EN 61587 -1:2012
Mechanical Structures for
Electronic Equipment

IEC 297-1, 19" mounting
IEC 297-2 Overall cabinet dimensions



CE conform to
EN 60950-1:2006
Information Technology
Equipment – Safety – Part-1-
General Requirements



Environment Friendly;
*Environmental awareness
*RoHS compliancy
*% 100 Recyclable
Material

Load Capacity: 1000 kgs.

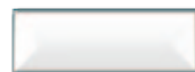


DYNAmax series Server Enclosures, with 19" w:600mm and d:1000mm physical sizes, with max internal usable depth, and 5 different height, gives a wide selection chart for users

*** Please see door options at the end of each product size.

* 12U 600x1000mm Underdesk Usage Mini Server Cabinet has single curved %63 perforated metal front door with single point handled locking, and single flat %63 perforated metal rear door with single point handled locking, as a standard feature
** 36 U and above sizes has split side panels horizontally, 12U and 26U sizes has single side (not splitted horizontally) panels

Standard Color:



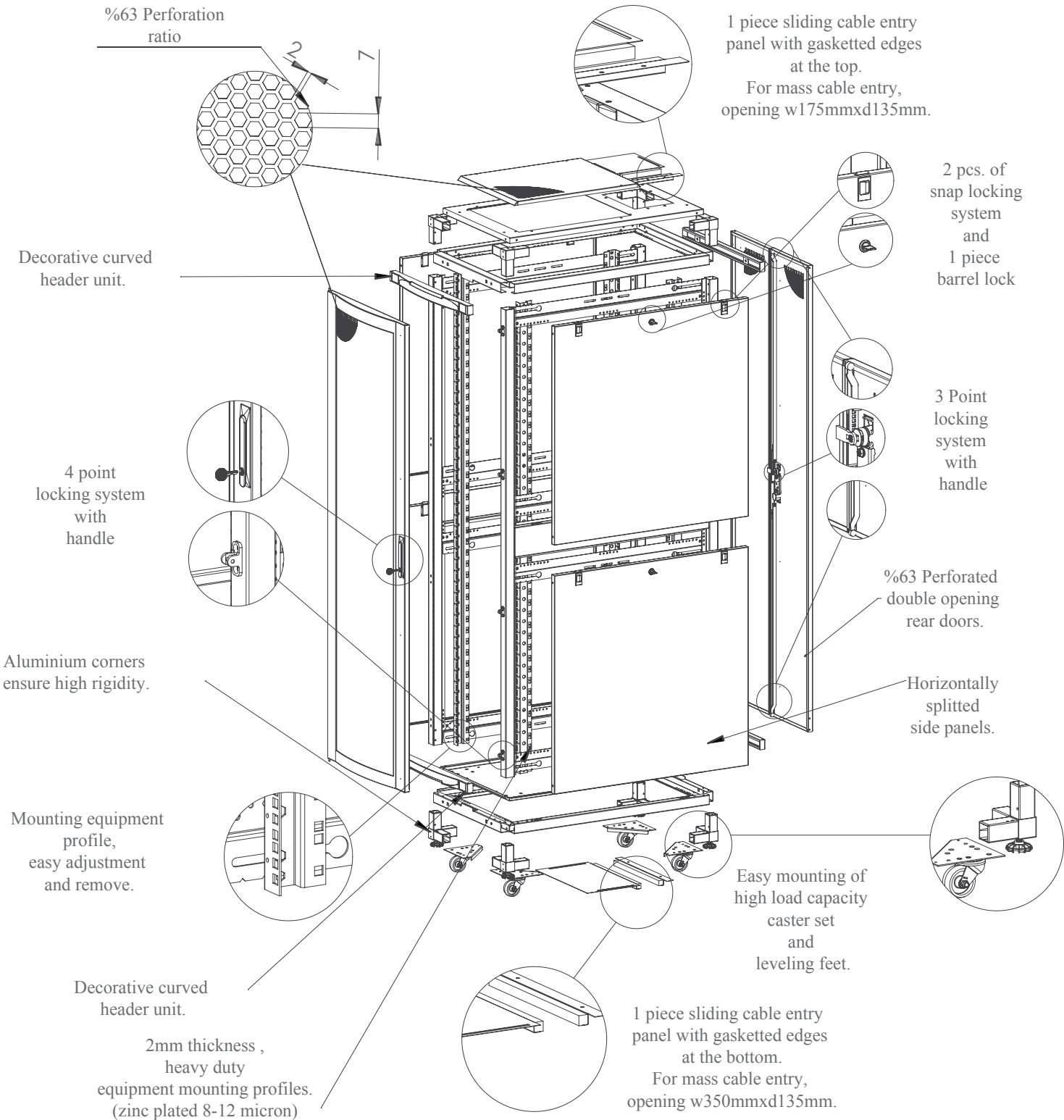
RAL 7035 Light Grey



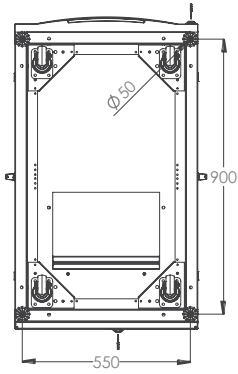
RAL 9005 Black



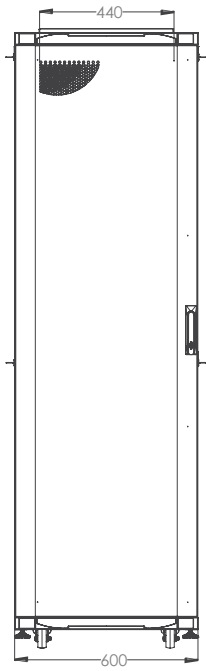
DETAILS ON
EXPLODED
VIEW



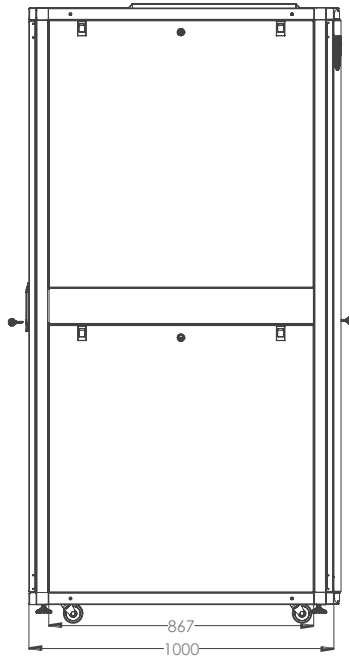
CONSTRUCTION
DRAWING



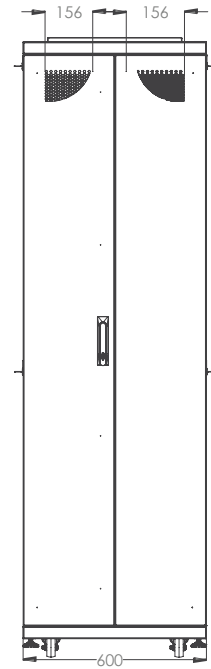
BOTTOM VIEW



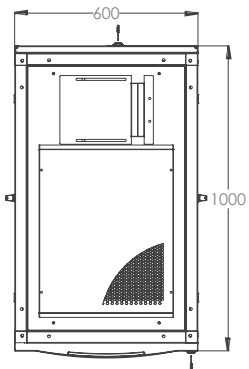
FRONT VIEW



SIDE VIEW

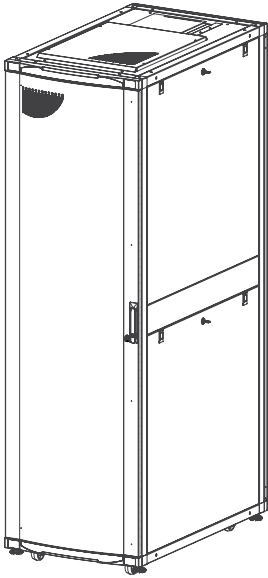


REAR VIEW

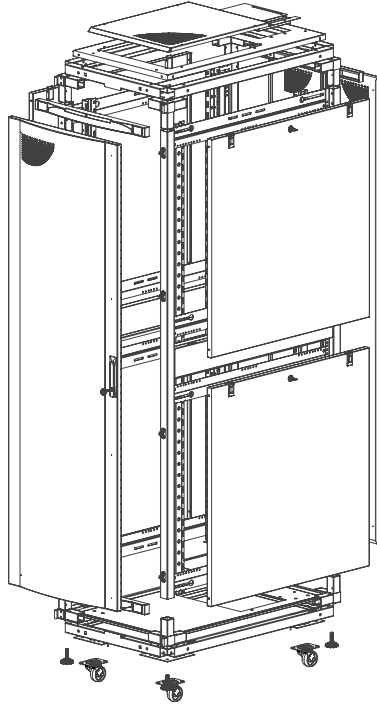


TOP VIEW

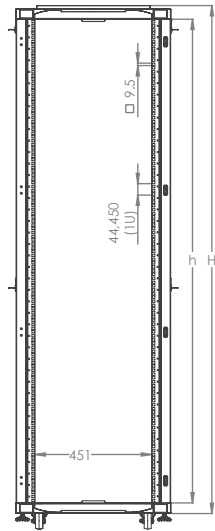
CONSTRUCTION
DRAWING



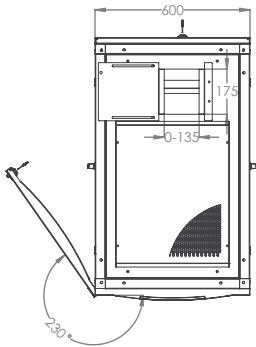
ISOMETRIC VIEW



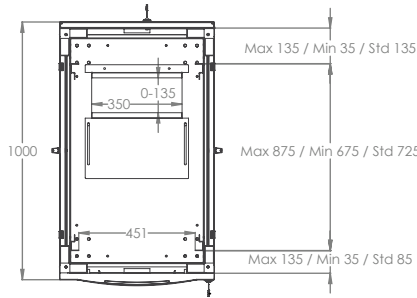
EXPLODED VIEW



DIMENSIONS IN
WIDTH AND HEIGHT



FRONT DOOR
OPENING ANGLE



MAX/STD/MIN
EQUIPMENT MOUNTING DISTANCE

DYNAmax Series Free Standing 19" Server Cabinets W=600mm D=1000mm

| ROOT Product Number *** | Product Description | Size WxDxH mm | h size in U | h in mm | *H mm, overall without feet and/or castor | Width Overall mm | Width Rail to Rail | Depth Overall mm | **Depth Shipping Conf. Rail to Rail mm | QTY IN PACKAGE | PACKING DIMENSIONS WxDxH mm | Standard NET Weight of product kgs | Gross Weight of Product kgs | QTY IN PALETTE | PALETTE DIMENSIONS WxDxH mm | Palette Weight kgs |
|-------------------------|---|---------------|-------------|---------|---|------------------|--------------------|------------------|--|----------------|-----------------------------|------------------------------------|-----------------------------|----------------|-----------------------------|--------------------|
| LN-SR12U6010-CC-111 | 12U 19" Free Standing Server Cabinet W=600mm D=1000mm | 600x1000x640 | 12U | 533 | 640 | 600 | 19" | 1000 | 720 | 1 | 680x1080x850 | 32,4 | 46 | 2 | 680x1080x1700 | 92 |
| LN-SR26U6010-CC-111 | 26U 19" Free Standing Server Cabinet W=600mm D=1000mm | 600x1000x1260 | 26U | 1156 | 1260 | 600 | 19" | 1000 | 720 | 1 | 680x1080x1400 | 70 | 84 | 1 | 680x1080x1400 | 84 |
| LN-SR36U6010-CC-111 | 36U 19" Free Standing Server Cabinet W=600mm D=1000mm | 600x1000x1705 | 36U | 1600 | 1705 | 600 | 19" | 1000 | 720 | 1 | 680x1080x1845 | 97,2 | 111 | 1 | 680x1080x1845 | 111 |
| LN-SR42U6010-CC-111 | 42U 19" Free Standing Server Cabinet W=600mm D=1000mm | 600x1000x1970 | 42U | 1867 | 1970 | 600 | 19" | 1000 | 720 | 1 | 680x1080x2100 | 114 | 131 | 1 | 680x1080x2100 | 131 |
| LN-SR45U6010-CC-111 | 45U 19" Free Standing Server Cabinet W=600mm D=1000mm | 600x1000x2105 | 45U | 2000 | 2105 | 600 | 19" | 1000 | 720 | 1 | 680x1080x2245 | 121 | 138 | 1 | 680x1080x2245 | 138 |

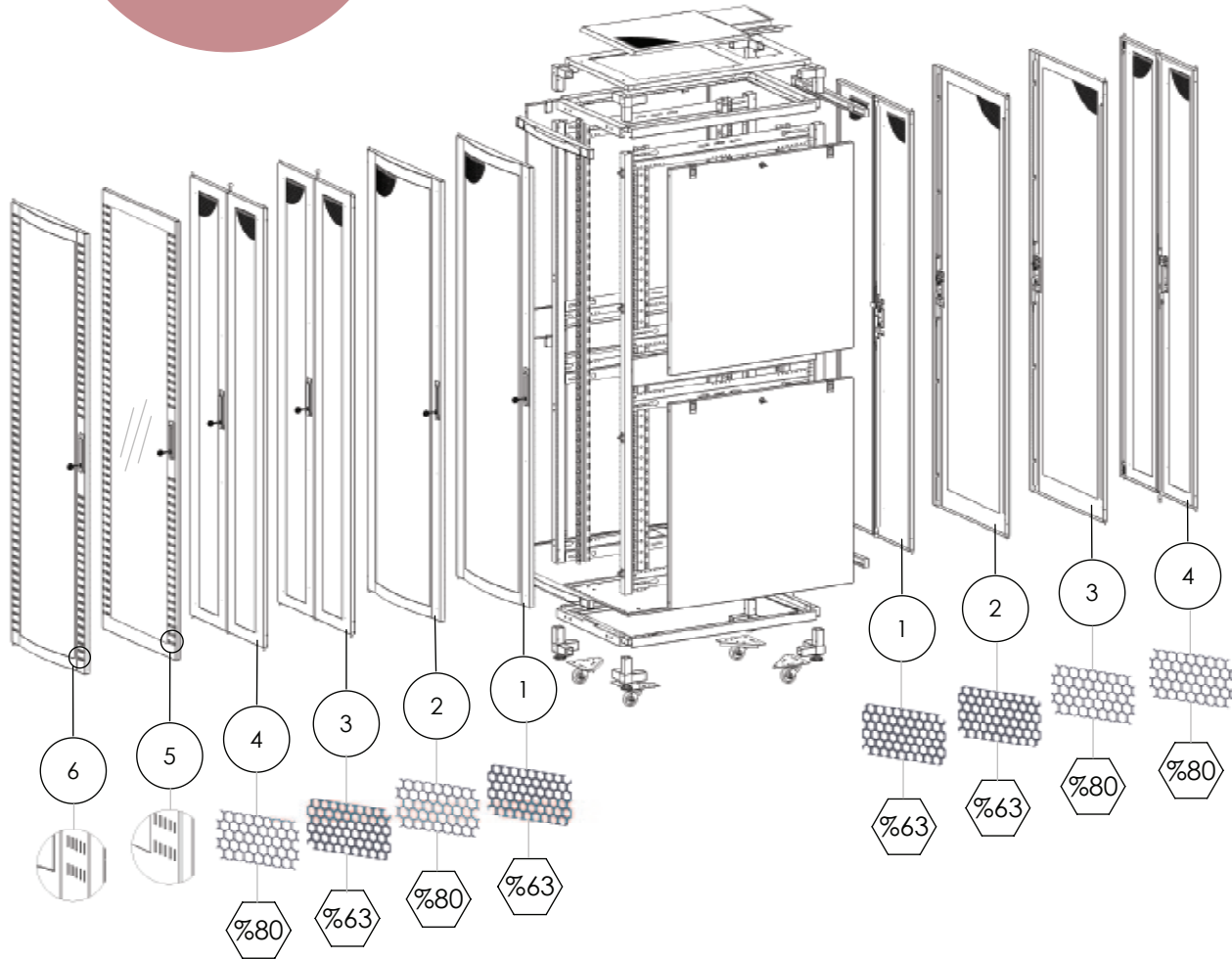
* Please add 80mm to H mm for combined castor and leveling feet for shipping configuration.

** See min and max Adjustable depth variations on drawings.

***CC= LG for Light Grey RAL 7035 & BL for Black RAL 9005 for customers to define while ordering, for "111" selection please see the door options.



DOOR
OPTIONS



DYNAmax Server Cabinet W=600mm D=1000mm
All Heights FRONT DOOR Options

- 0 Without front Door
- 1 Single Opening, Curved Shape, Complete Framed %63 perforated, Solid Metal Front Door, 4 Point Handled Locking
- 2 Single Opening, Curved Shape, Complete Framed %80 perforated, Solid Metal Front Door, 4 Point Handled Locking
- 3 Double Opening, Flat Shape, Complete Framed %63 perforated, Solid Metal Front Door, 3 Point Handled Locking
- 4 Double Opening, Flat Shape, Complete Framed %80 perforated, Solid Metal Front Door, 3 Point Handled Locking
- 5 Single Opening, Flat Shape, Complete Framed Glass Center Ventilation Slotted pattern on frame, Solid Metal Front Door, 4 Point Handled Locking
- 6 Single Opening, Curved Shape, Complete Framed Plexi-glass Center Ventilation Slotted pattern on frame, Solid Metal Front Door, 4 Point Handled Locking

DYNAmax Server Cabinet W=600mm D=1000mm
All Heights REAR DOOR Options

- 0 Without Rear Door
- 1 Double Opening, Flat Shape, Complete Framed %63 perforated, Solid Metal Rear Door, 3 Point Handled Locking
- 2 Single Opening, Flat Shape, Complete Framed %63 perforated, Solid Metal Rear Door, 4 Point Handled Locking
- 3 Single Opening, Flat Shape, Complete Framed %80 perforated, Solid Metal Rear Door, 4 Point Handled Locking
- 4 Double Opening, Flat Shape, Complete Framed %80 perforated, Solid Metal Rear Door, 3 Point Handled Locking

DYNAmax Server Cabinet
W=600 D=1000mm All Heights
SIDE PANEL Options

- 0 No Side Panel On product
- 1 Two Side Panels, left / right included in shipping configuration
- 2 One Side Panel Only on Left Side
- 3 One Side Panel Only on Right Side

*** 12U 600x1000mm Underdesk Usage Mini Server Cabinet has single curved %63 perforated metal front door with single point handled locking, and single flat %63 perforated metal rear door with single point handled locking, as a standard feature

LN-AA

XXU

WW

DD

CC

LN Corporate codification beginning letters mentioning Lande in Short Format as LN

AA Family Group of Enclosure; FS for Free Standing cabinets, WM for Wall Mounting Cabinets, SH for Small office Home office Range, SR for Server enclosure Range, SL for Slim series, RS for Home series wall cabinets

XX Numeric Character defining the height of enclosures, depending on model differences between 12 to 45 to be selected from price list, website or catalogue

U U Height Alphanumeric Notation, concrete (non editable- fixed character)

WW The First 2 digits of the width info, 60 for W=600mm, 80 for W=800mm, 54 for W=540mm, 30 for W=300mm Soho 10" enclosure

DD The First 2 digits of the depth info, 45 for D=450mm, 40 for D=400mm, 60 for D=600mm, 80 for D=800mm, 10 for D=1000mm cabinets

CC Color Code, LG for Light Grey RAL 7035, BL for Black RAL 9005

000

0 Front Door Variation number, numeric character 1 to 9 / 0 means no front door, standard front door defined in Lande System as option 1., Please select other variations if needed from above door selection drawing. Unless defined option 1 should be delivered

0 Rear Door Variation number, numeric character 1 to 9 / 0 means no rear door, standard rear door defined in Lande System as option 1., Please select other variations if needed from above door selection drawing. Unless defined option 1 should be delivered

0 Side Panel/Door Variation number, numeric character 1 to 9 / 0 means no side panel on product, standard side panel/door defined in Lande System as option 1. Unless defined option 1 should be delivered

