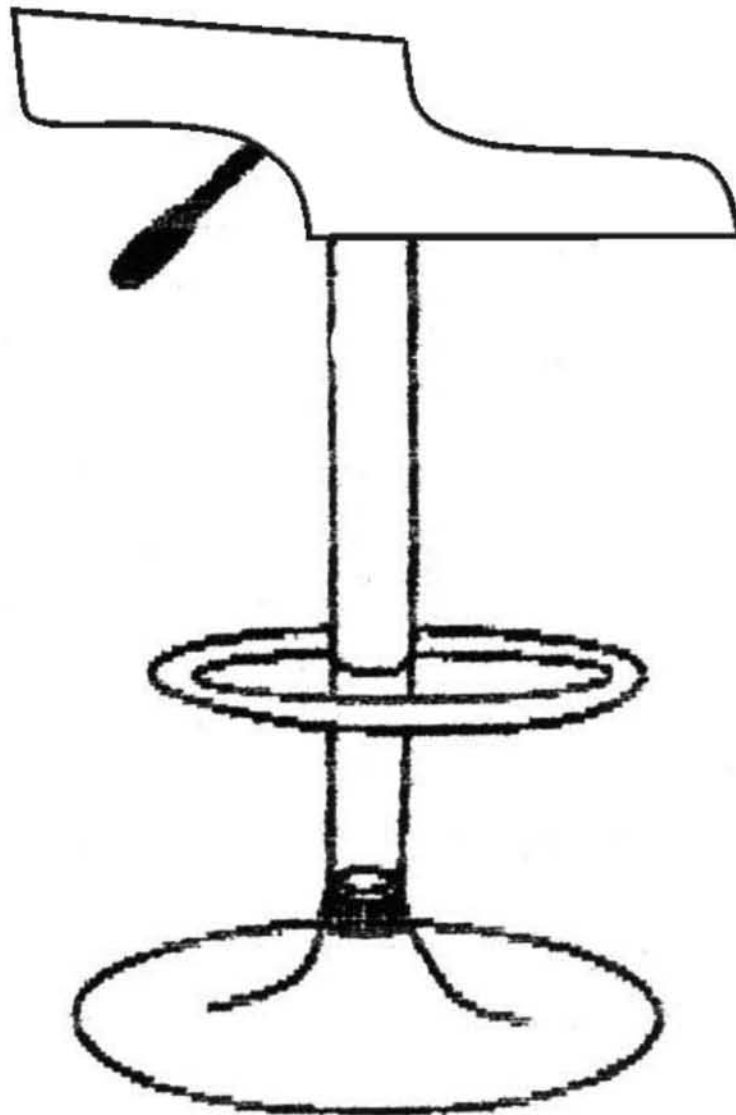
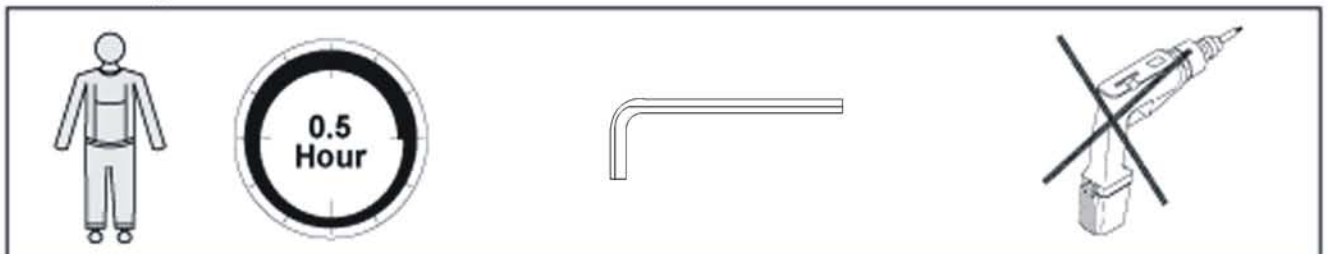


Dan barstool

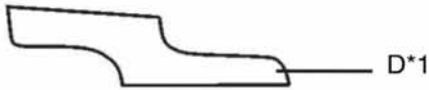
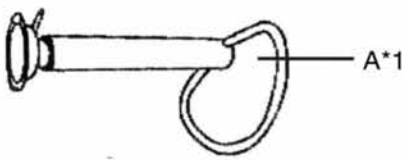


Necessary tools:



Dan barstool

Parts list



B*4



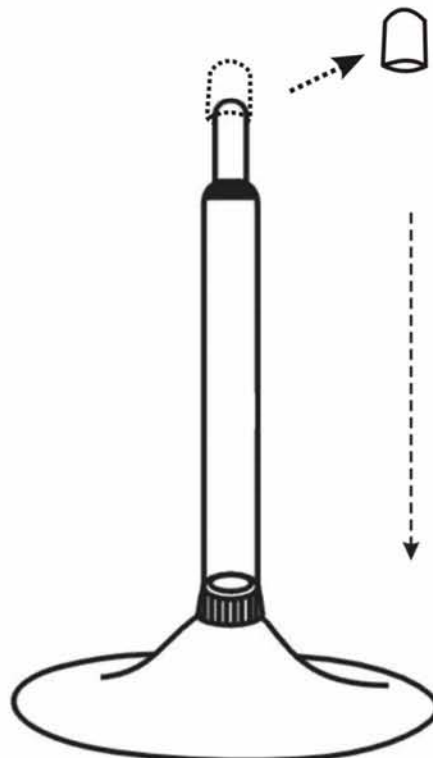
C*1



Contents of the bag

Assembly instruction

Step 1



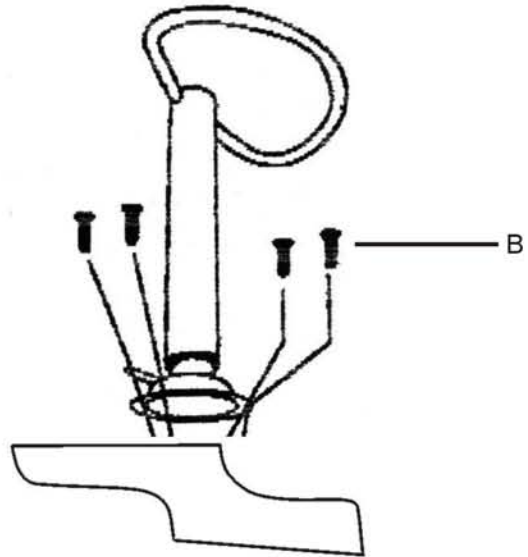
B*4



C*1



Step 2



Step 3

