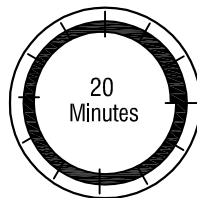
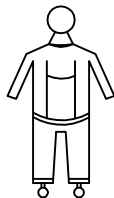
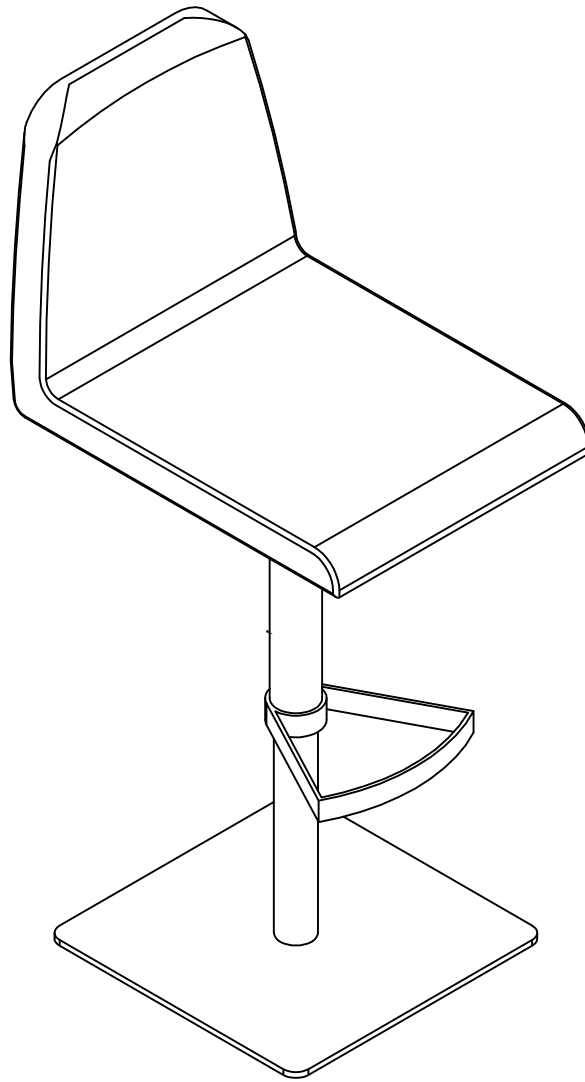
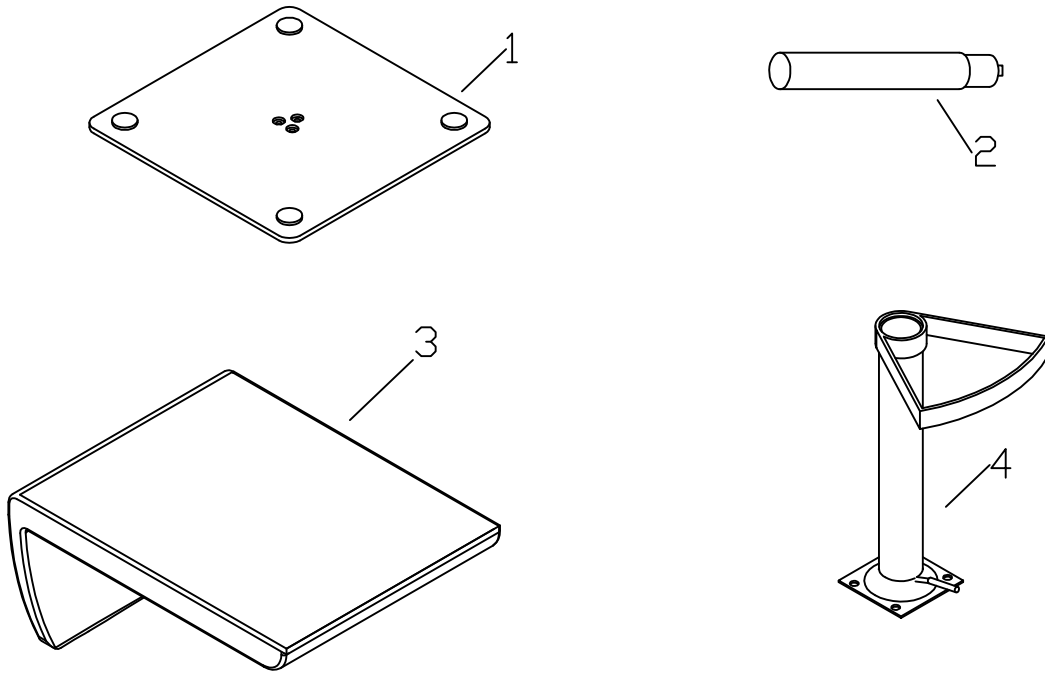


Assembly instruction

Amagi



Assembly instruction

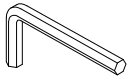


4mm
A x 1

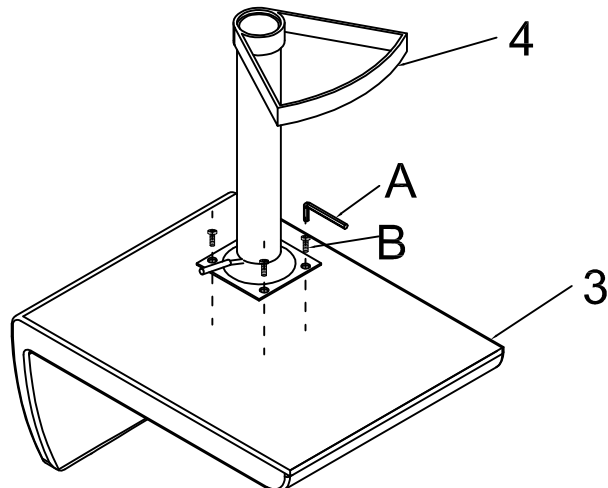
M6x12mm
B x 4

5mm
C x 1

M8x30mm
D x 3

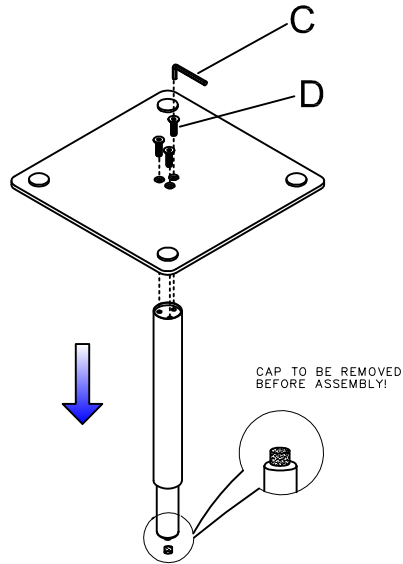


①

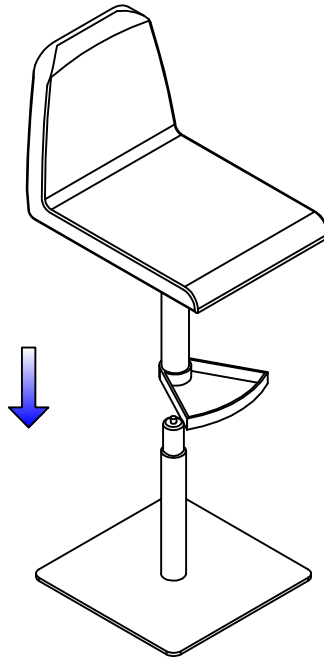


Assembly instruction

②



③



④

