

HEIGHT-ADJUSTABLE DRAWBAR, TYPE 353 VB

for trailers with pneumatic brakes 3,500 kg



TECHNOLOGY

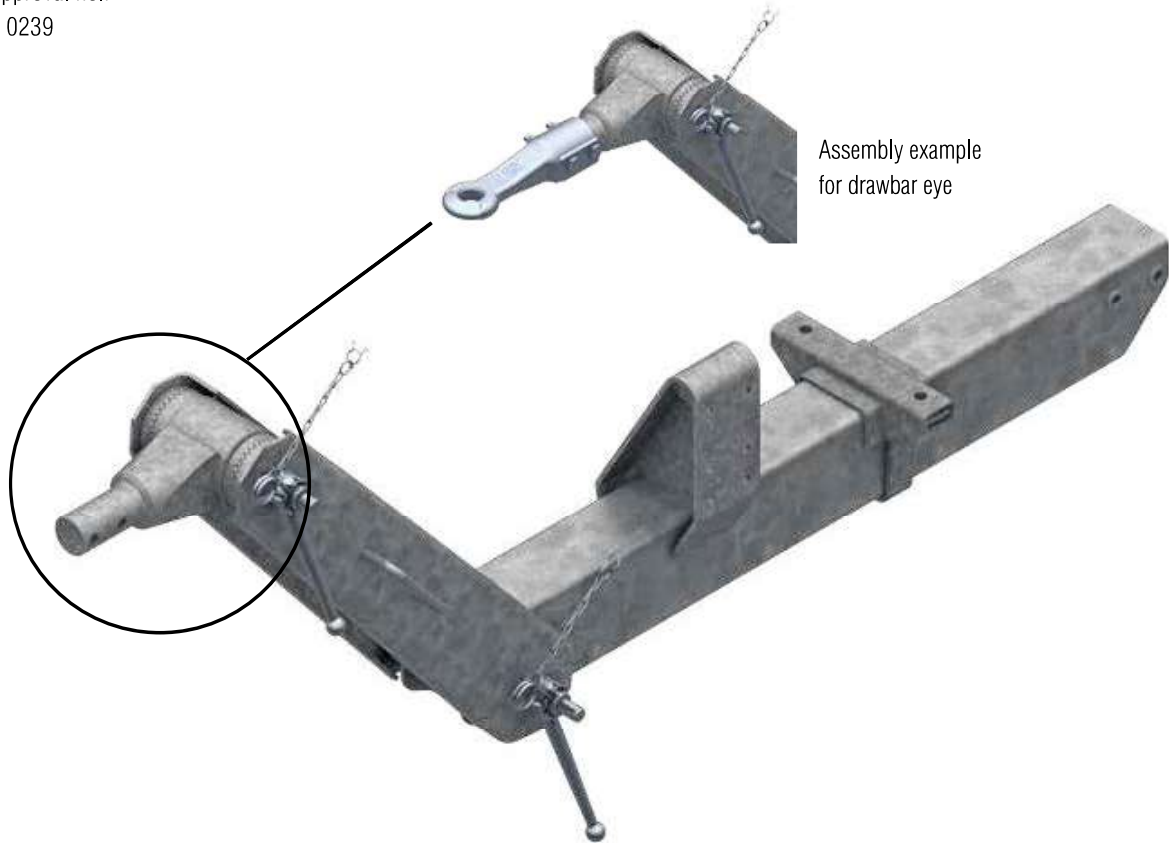
Drawbar type 353 VB vers. G

Intermediate piece with drawbar section

Permitted nose load 150 kg

ECE type approval no.:

E1 55R-01 0239



SURFACE TREATMENT

| Hot-dip galvanised

| Hitches, eyes and small parts galvanised

SAP: ZUGDEICHS KPL 353VB

Drawbar cpl. with drawbar section mounted (without hitch components)

Part no.	Drawbar length E in mm	Total length K (at 0°) mm with DIN drawbar eye D40				
200 615 41	1,970	3,190	151	10	–	10
200 615 42	2,130	3,350	155	10	–	10
200 615 43	2,290	3,510	159	10	–	10
200 615 44	2,450	3,670	163	10	–	10
200 615 45	2,610	3,830	167	10	–	10

Push-on hitch components: Drawbar eye connection D60 / 353 VB

Hitch
AKS™ 3504
 Part no. 1 225 761

Ball hitch
AK 351 – Ø 50
 Part no. 1 224 391

Drawbar eyes
England E30/B
 Part no. 1 224 112

Drawbar eyes
England E40/B
 Part no. 1 224 113

Drawbar eyes
DIN D40/G
 Part no. 1 224 114

Drawbar eyes
DIN D50
 Part no. 1 730 613

Drawbar eyes
Italy I45/G
 Part no. 1 224 115

Drawbar eyes
England E50/B
 Part no. 1 224 116

Drawbar eyes
Sweden VBG 57.5
 Part no. 1 225 077

Drawbar eyes
France F68/F
 Part no. 1 224 117

Drawbar eyes
NATO N76/F
 Part no. 1 224 118

Refer to chapter 6 for drawbar eye illustrations and descriptions

