

HEIGHT-ADJUSTABLE DRAWBAR, TYPE 751 VB

for trailers with pneumatic brakes 6,500 kg



TECHNOLOGY

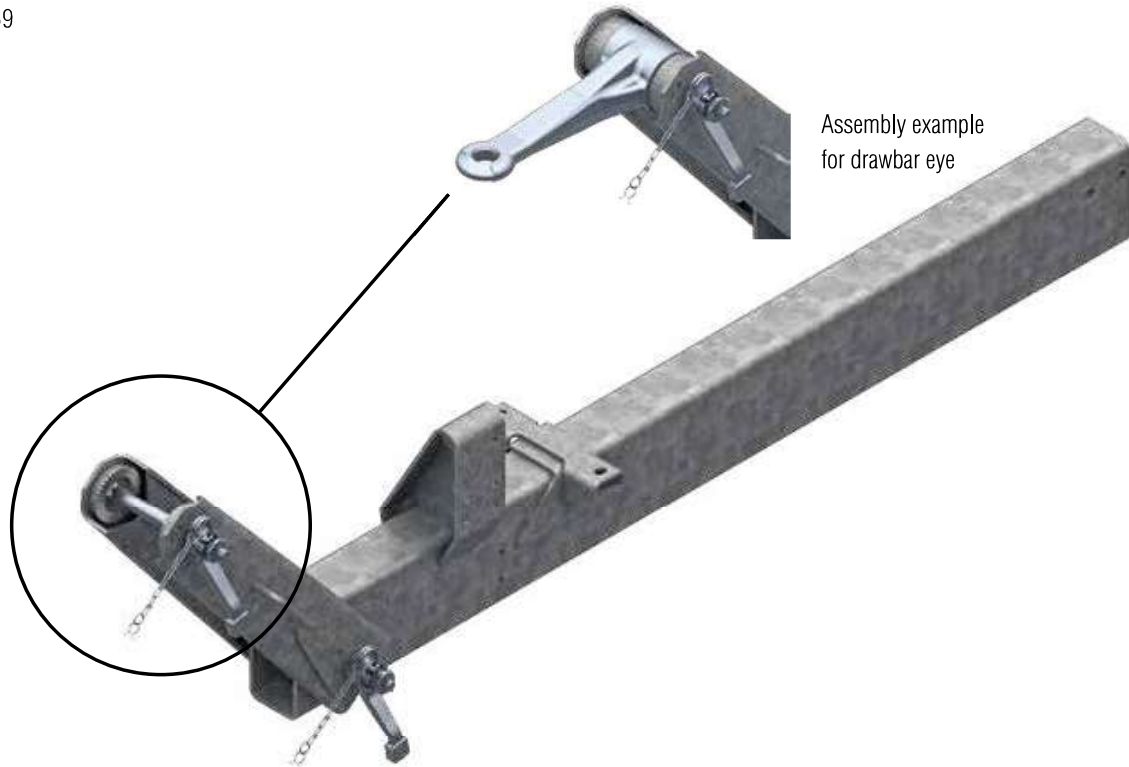
Drawbar type 751 VB vers. A1

Intermediate piece with drawbar section

Permitted nose load 650 kg

ECE type approval no.:

E1 55R-01 0259



Assembly example
for drawbar eye

SURFACE TREATMENT

| Hot-dip galvanised

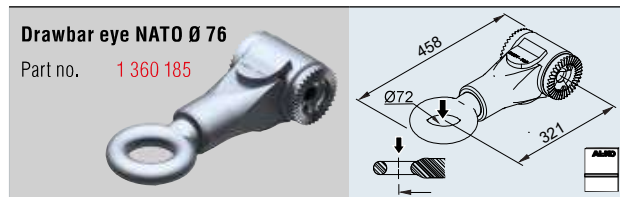
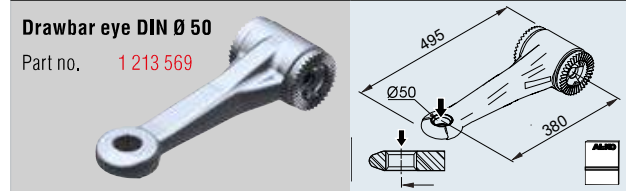
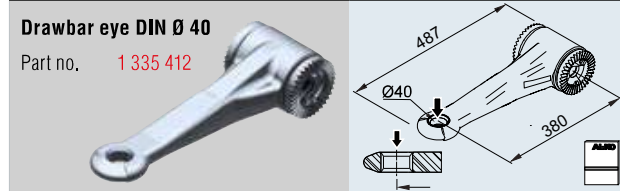
| Hitches, eyes and small parts galvanised

SAP: ZUGDEICHS KPL 751VB

Drawbar cpl. with drawbar section mounted (without hitch components)

Part no.	Drawbar length E in mm	Total length K (at 0°) mm with DIN drawbar eye D40					
200 615 01	1,970	2,950	180	10	–	10	
200 615 02	2,130	3,110	190	10	–	10	
200 615 03	2,290	3,270	200	10	–	10	
200 615 04	2,450	3,430	210	10	–	10	
200 615 05	2,610	3,590	220	10	–	10	

Hitch components: Drawbar eye connection D60 / 751 VB



2

