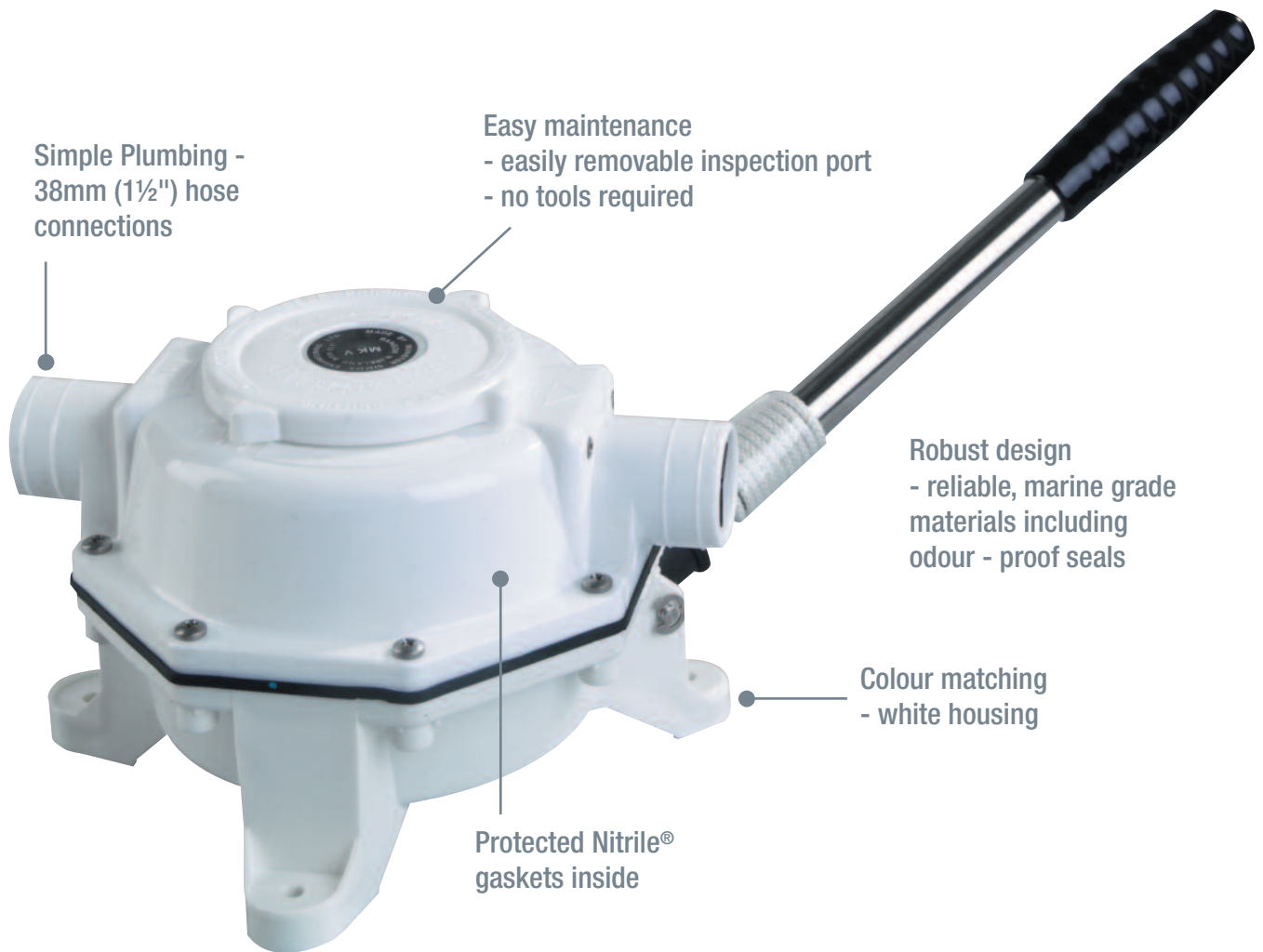


# Mark V – Manual Sanitation Pump

**The manual black waste pump designed for toilet flush, or holding tank pump out**

Designed to ensure total reliability in black waste pump out. Totally sealed unit ensures no nasty odours



## Maximum Performance - Wide Hose Connections 38 mm (1½”), 66 ltrs (17.5 US gals) Per Minute

- Tough plastic housing keeps in nasty smells
- Large virtually non-block valves
- Easy to clean (no tools required)
- Maximum performance - wide hose connections 38 mm (1½”), 66 ltrs (17.5 US gals) per minute
- Lightweight design for easy operation

### 5 Year Warranty

#### Tips

Ideal for use in conjunction with Whale's robust and durable Diverter Valve 1 ½” ports – DV5606 - page 124

### YOU MAY ALSO LIKE

Gulper Toilet Pump – Electric Black Waste Pump – page 120

Bilge IC – Pre-wired Automatic bilge system with intelligent control built in – page 24

Grey IC and Gulley IC – Automatic Grey waste pump kits with automatic intelligent control built in –pages 96-99



### Product Information

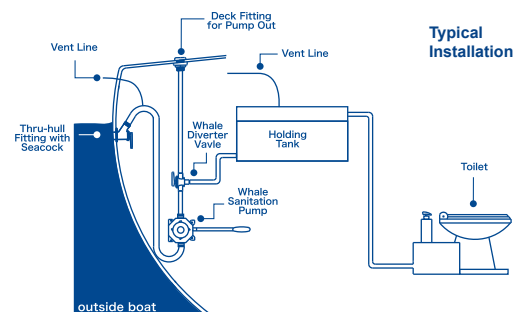
#### Model Specifications

Model	Mk5 Bulkhead	Mk5 Thru Deck
Product Code	BP0527	BP0535
Weight	1.17 kg (2.6 lbs)	
Hose Connections	38 mm (1½”) Hose Connections	
Materials	Pump Body: Glass-filled Polypropylene, Acetal Diaphragm and Seals: Nitrile®, Operating Lever: Glass-filled Nylon Handle, Spring and Fasteners: Stainless Steel	
Materials In Contact With Fluid	Glass-filled Polypropylene, Acetal, Nitrile, Stainless Steel	
Service Kit	<b>AK8050 - Service Kit for Mk5 Sanitation</b> Contains: Diaphragms, Valves and Circlips	
Accessories	<b>DP9905 - Deck Ring - for BP0535 only, DP9906 - Conversion Kit</b>	
Maximum Suction Lift	4.5 m (15 ft)	
Maximum Discharge Head	4.5 m (15 ft)	

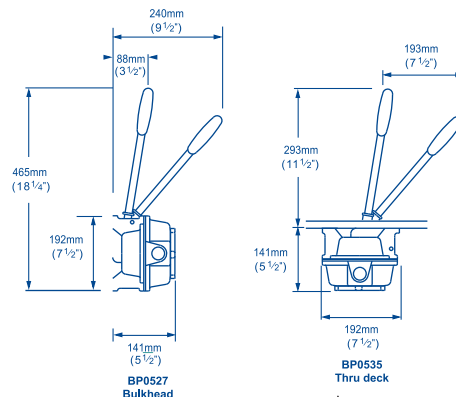
#### Performance Data

Suction Lift	1 m (3 ft)
Discharge Head	0.5 m (1.5 ft)
45 Strokes per Minute	42 ltrs (11 US gals)
70 Strokes per Minute	66 ltrs (17.5 US gals)

Note: These specifications are retail items only.  
For details of our bulk pack range for boat builders and wholesalers - contact Whale Support.



Note: Where discharge is below the water line, a siphon break must be fitted.



WARNING

It is important to ensure that a siphon break is fitted, where discharge is below the water line.