



AXIstorage Li 7S



High-performance lithium-ions-energy storage for residential, e-mobility and commercial applications

Advantages:



5,4 kWh useable capacity



Flexible configuration:
up to max. 777 kWh Off-Grid
up to max. 259 kWh On-Grid



Permanent charging performance of up to 5 kW (90 A)
Permanent discharge performance of up to 8,3 kW (150 A)



Up to 20 years of life time due to an optimized cooling system



10 years of time value replacement warranty



3 units stackable



5.4
kWh
capacity

777
kWh
flexible

AXIstorage Li 7S

Electrical Data

| | SMA |
|------------------------------------|--|
| Nominal Capacity | 6,8 kWh |
| Useable Capacity | 5,4 kWh |
| Nominal Voltage | 55,5 V |
| Nominal Capacity | 121,5 Ah |
| Charging Power | up to 5 kW (90 A) |
| Discharging Power | up to 8,3 kW (150 A) + 330 A Peak (for 1 sec.) |
| Efficiency | up to 97% (at 25°C) |
| Cooling | active fan |
| Range of Temperature | 0 - 45°C |
| Max. Air Humidity (not condensing) | 85% |
| BMS (Battery Management System) | integrated |

Mechanical Data

| | SMA |
|-------------------------------|--------------------|
| Technology | Lithium (NMC) |
| H x W x D | 421 x 638 x 487 mm |
| Weight | 95 kg |
| Protection Category | IP21 |
| Certifications and Standards: | CE + UN38.3 |

Safety

- Double wall housing
- Elevated construction to protect against water damage
- Monitoring of current, voltage and temperature
- Single cell monitoring
- State of charge determination and battery monitoring (SOC + SOH)
- Passive balancing

Included in Delivery

- 50 mm² connecting cable, length 2 m
- NH disconnect (without NH-fuse)
- Integrated communication interface CAN, CANopen, Mod Bus, RS232, RS485

Compatibility

- SMA Sunny Island: 4.4 / 6.0 / 8.0

Accessories for System Expansion

- Master Unit for 2 to 12 storages used in parallel
- Optionally expandable with SMA Multicluster Box 6 / 12 / 36

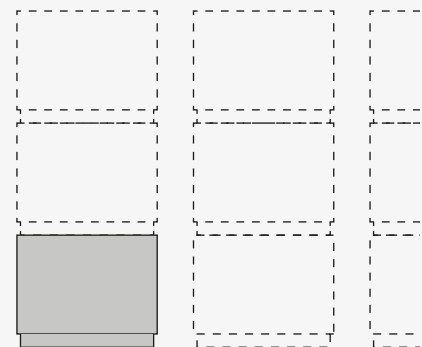
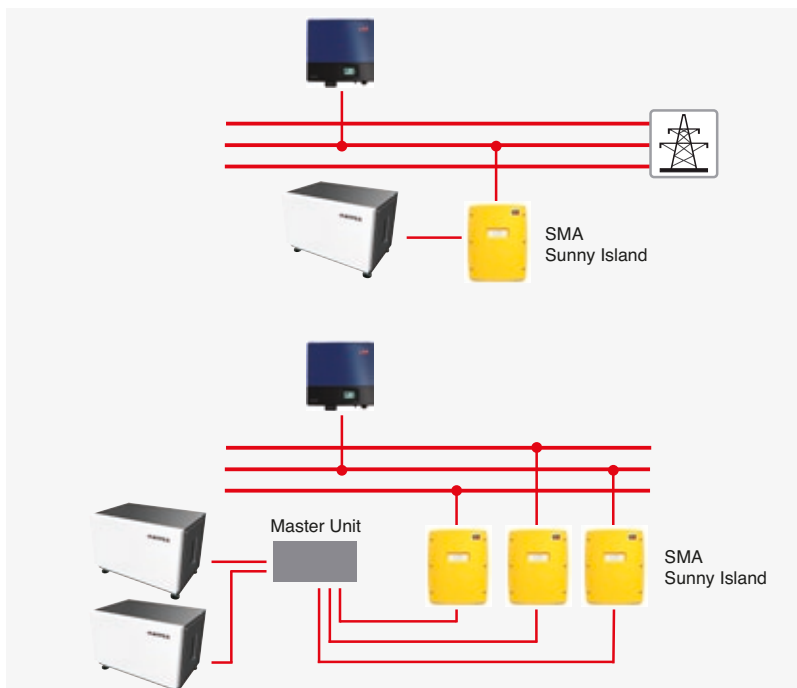


Fig. similar
flexibly expandable for 2 to 144 storages = 777 kWh