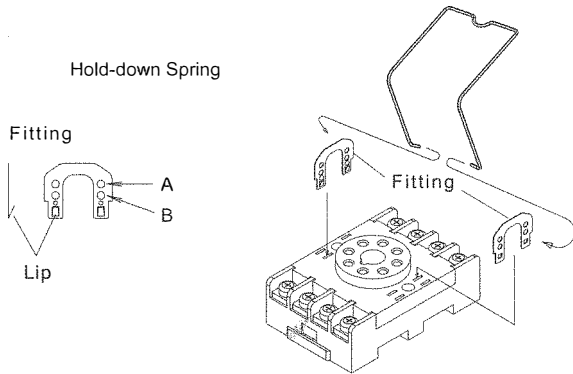


HOLD-DOWN SPRING & FITTINGS (OPTIONAL)

" Hold down spring does not come included with socket.
Must be ordered separately.

Hold-down spring can be used to secure relay to socket when vibration becomes a factor.

Instructions: 1. Insert fittings into slots, as shown in diagram, with the lip facing inside part of socket.
2. Place the ends of the hold-down spring into the hole of each fitting; Hole-A for SM, SY, SH sockets and Hole-B for SR sockets.



Caution: 1. Once inserted, fittings cannot be removed.
2. For SR2P-06 socket, insert fittings into the inner slots.

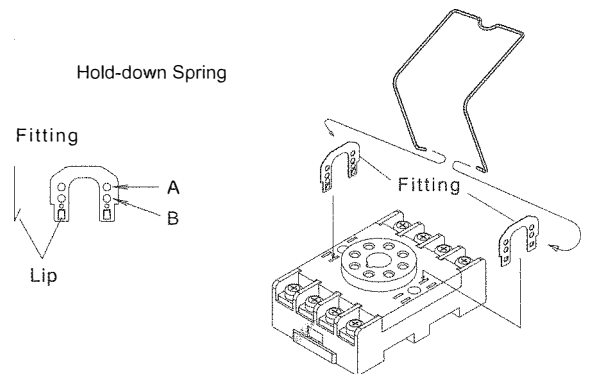
IDEC CORPORATION

HOLD-DOWN SPRING & FITTINGS (OPTIONAL)

" Hold down spring does not come included with socket.
Must be ordered separately.

Hold-down spring can be used to secure relay to socket when vibration becomes a factor.

Instructions: 1. Insert fittings into slots, as shown in diagram, with the lip facing inside part of socket.
2. Place the ends of the hold-down spring into the hole of each fitting; Hole-A for SM, SY, SH sockets and Hole-B for SR sockets.



Caution: 1. Once inserted, fittings cannot be removed.
2. For SR2P-06 socket, insert fittings into the inner slots.

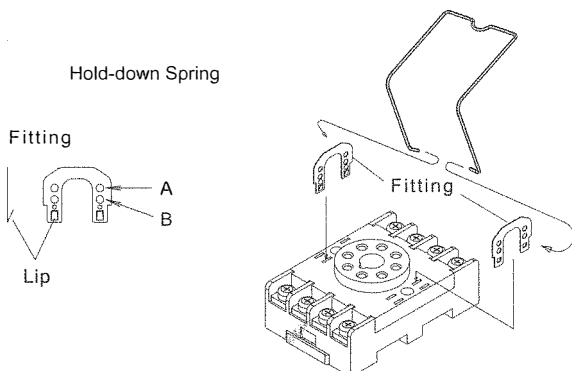
IDEC CORPORATION

HOLD-DOWN SPRING & FITTINGS (OPTIONAL)

" Hold down spring does not come included with socket.
Must be ordered separately.

Hold-down spring can be used to secure relay to socket when vibration becomes a factor.

Instructions: 1. Insert fittings into slots, as shown in diagram, with the lip facing inside part of socket.
2. Place the ends of the hold-down spring into the hole of each fitting; Hole-A for SM, SY, SH sockets and Hole-B for SR sockets.



Caution: 1. Once inserted, fittings cannot be removed.
2. For SR2P-06 socket, insert fittings into the inner slots.

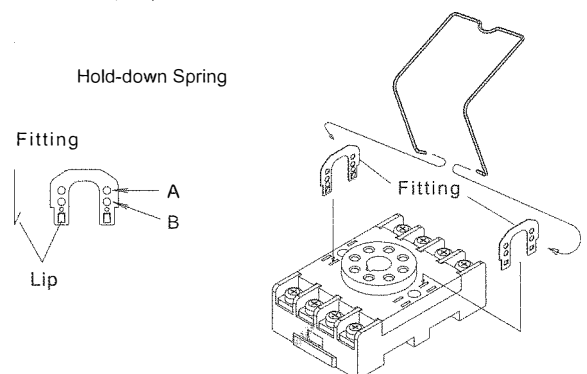
IDEC CORPORATION

HOLD-DOWN SPRING & FITTINGS (OPTIONAL)

" Hold down spring does not come included with socket.
Must be ordered separately.

Hold-down spring can be used to secure relay to socket when vibration becomes a factor.

Instructions: 1. Insert fittings into slots, as shown in diagram, with the lip facing inside part of socket.
2. Place the ends of the hold-down spring into the hole of each fitting; Hole-A for SM, SY, SH sockets and Hole-B for SR sockets.



Caution: 1. Once inserted, fittings cannot be removed.
2. For SR2P-06 socket, insert fittings into the inner slots.

IDEC CORPORATION