

Secumatic

General Information

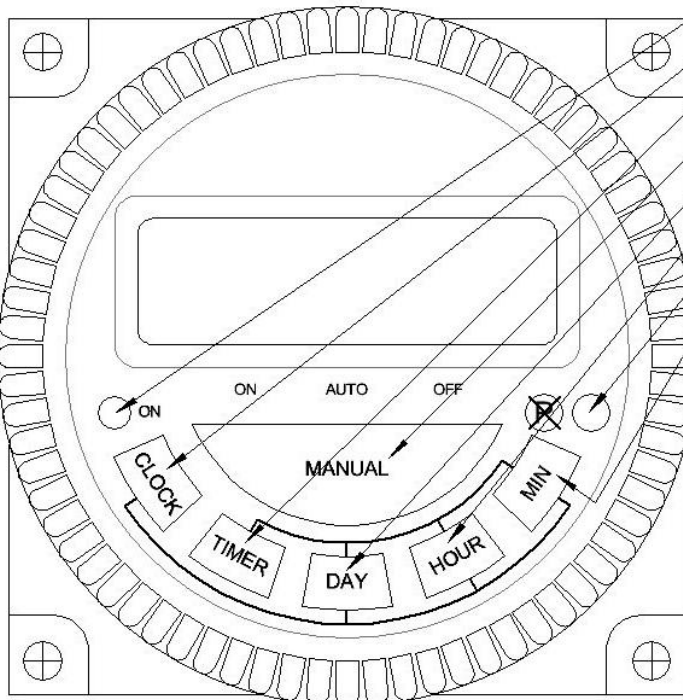
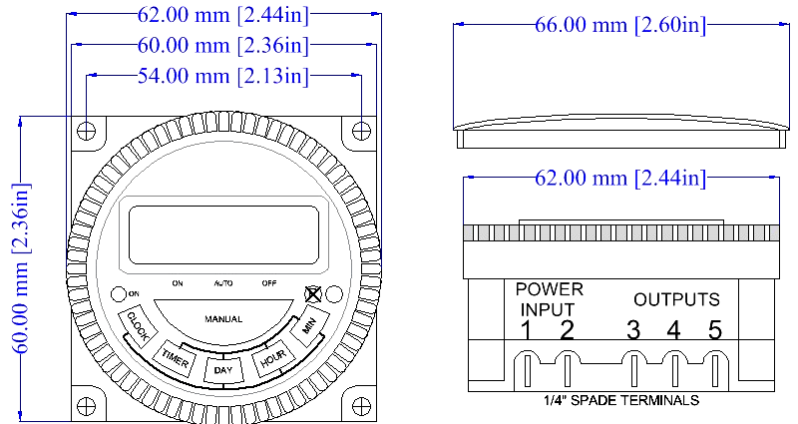
ETM-17 Digital Timer Instructions

The ETM-17 series are panel mount digital timers that can be operated in 12V dc or 24V ac/dc power supply ranges depending on model ordered. The output is a form "C" relay capable of 16A@ 30VDC.

The ETM-17 has an internal battery for memory backup of programming in the event of power failure. The ETM-17 is designed with 17 ON/OFF events per day and 15 combinations of daily programs for the best flexibility to the user.



15 DAILY PROGRAM OPTIONS							
1.	MO	TU	WE	TH	FR	SA	SU
2.	MO						
3.		TU					
4.			WE				
5.				TH			
6.					FR		
7.						SA	
8.							SU
9.	MO	TU	WE	TH	FR		
10.						SA	SU
11.	MO	TU	WE	TH	FR	SA	
12.	MO	TU	WE				
13.				TH	FR	SA	
14.	MO		WE		FR		
15.		TU		TH		SA	



- 1 ON: Red relay output on indicator LED
- 2 CLOCK: To adjust current day and time
- 3 TIMER: Set up and review of programmed events
- 4 MANUAL: To select ON / OFF / AUTO
- 5 DAY: To adjust day of the week
- 6 HOUR: To adjust hour time
- 7 : To reset timer settings
- 8 MIN: To adjust minutes time

Note: ON/AUTO/OFF condition is indicated by a line at the bottom of the LCD display.

See picture at top of page for example

Set up and programming on other side

ETM-17 Digital Timer Instructions

Setting clock

- Step1.** Press and hold the CLOCK button
- Step2.** Press the DAY button to set current day
- Step3.** Press the HOUR button to set current time (military format)
- Step4.** Press MIN to adjust time minutes

Setting Programs

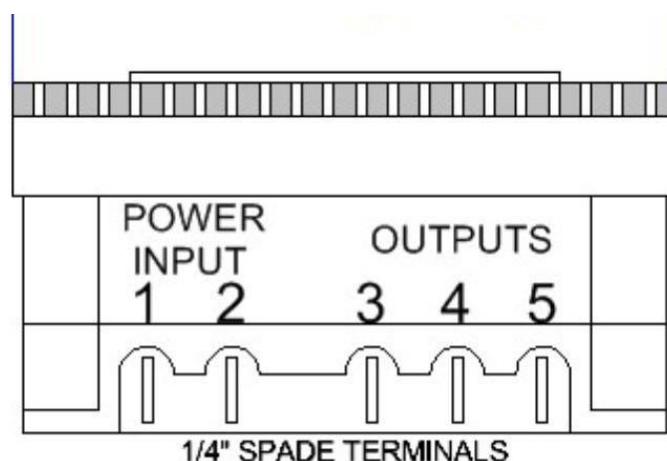
- Step1.** Press TIMER button 1^{ON} --:-- .. will appear on the LCD display
- Step2.** Press DAY button until the desired daily options appears on LCD display (see chart page 1)
- Step3.** Press HOUR and MIN respectively to set desired on time
- Step4.** Press TIMER button again 1^{OFF} --:-- .. will appear on the LCD display
- Note:** Daily options must match for each event ON and OFF (1ON and 1 OFF same for 2-17)
- Optional:** Repeat Step 1-4 above to set event 2-17 ON and OFF
- Step5.** Press CLOCK button to start programs.
- Step6.** Press MANUAL button to have indicator line at the bottom of the LCD screen move to AUTO

Manual Button

Sets ETM-17 Digital Timers into the following states

- ON:** Timer function bypassed constant on
- AUTO:** Follows program if timer program is to be on the output will be on and if timer program is to be off the output will be off
- OFF:** Timer function bypassed constant off

Connections



- 1 = Power input Positive 12V dc 24V ac/dc
ETM-17-12 ETM-17-24
- 2 = Power input Negative 12V dc 24V ac/dc
- 3 = Timer Internal Contact N/C Normally Closed
- 4 = Timer Internal Contact N/O Normally Open
- 5 = Timer Internal Contact Common

Ordering Information

ETM-17-12 12 dc Volt Digital Timer

ETM-17-24 24 Volt ac/dc Digital Timer

Secumatic B.V.
Tiber 2
2491 DH, Den Haag
Nederland

info@secumatic.eu

Tel.: +31887071100
Fax: +31887071199

www.secumatic.eu

KvK Den Haag 64017877
BTW nr. NL855489674B01

RaboNL39RABO0306591812
Swift code RABONL2U

