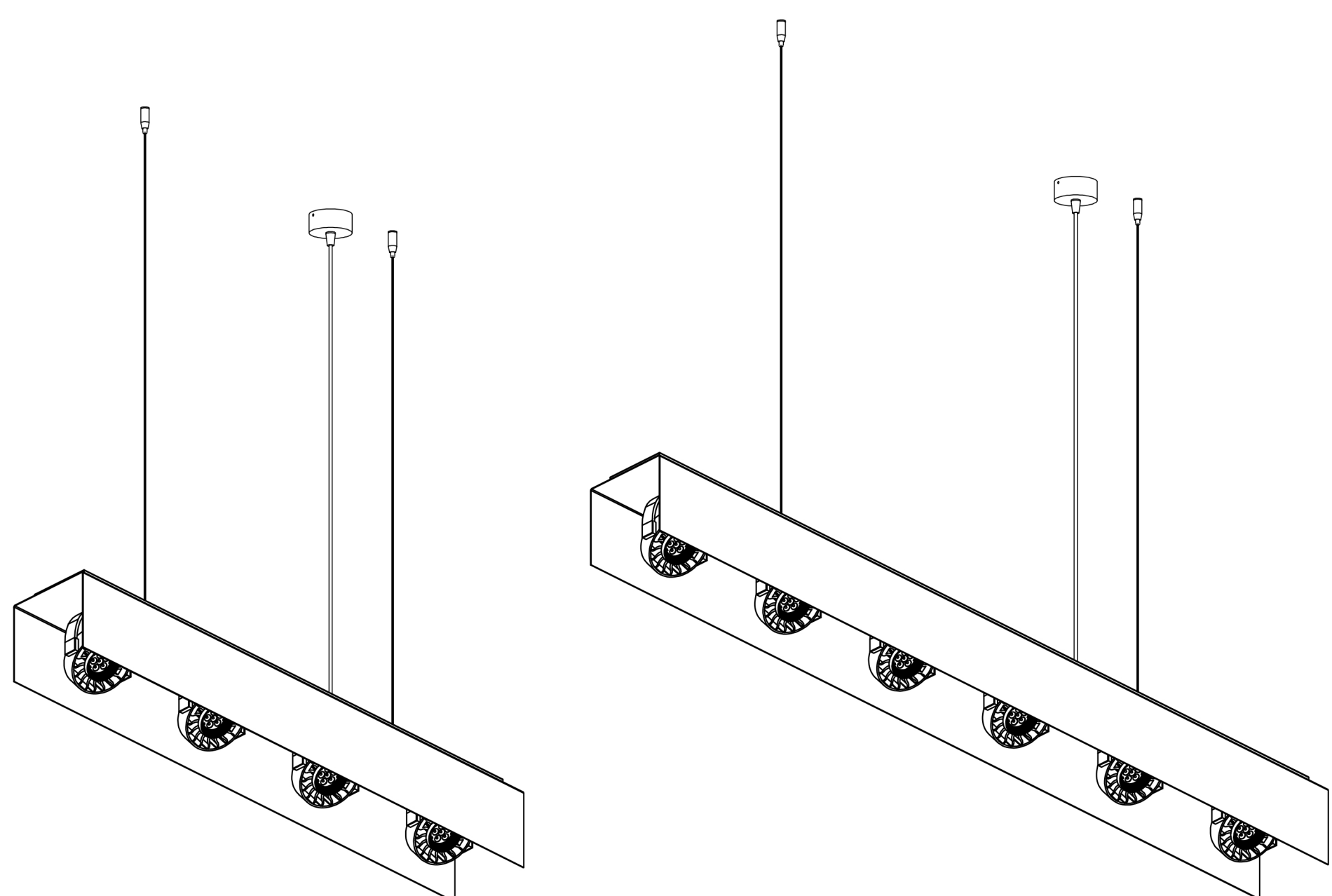
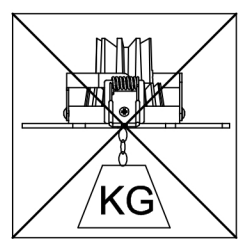
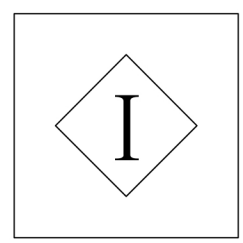
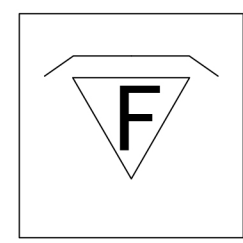
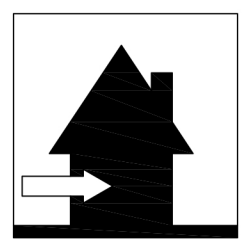
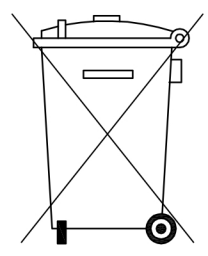


- 01.SWITCH OFF MAIN
- 02.MAKE HOLE PATTERN
- 03.INSTALL THE BASE PLATE
- 04.CONNECT LAMP TO THE MAIN
- 05.DRIVE IN THE SCREWS UNTILL TIGHT
- 06.ADJUST BEAMING
- 07.SWITCH ON THE MAIN AND LIGHT ON



890 MM
L890×W140×H1200(mm)
LED-24×1W

1350 MM
L1350×W140×H1200(mm)
LED-36×1W

Lamp:CREE XPE LED
 Color: 6000/4000/3000K
 Color rendering: Ra80
 Input: 100V-240V AC
 Current: Constant 300mA
 Frequency: 50/60Hz
 Watt: 24×1W/36×1W
 Life span: 20,000hrs
 Operating temp: -20°C-+40°C
 Indoor use only
 IP20
 Dimmable: NO

Cautions: a.Installed by qualified electrician
 b.Use only power-supply supplied
 by manufacturer for products guarantee