

**ATTENTION: PLEASE READ THE INSTRUCTIONS**

The safety of this product can only be guaranteed if the installation instructions are respected and carried out by a qualified professional.

**Always disconnect the power before installation.**

Do not attempt to make any modifications on the products. Lightinova declines any responsibility on modified products. Installation should be carried out by a qualified professional. This product is designed for indoor installation.

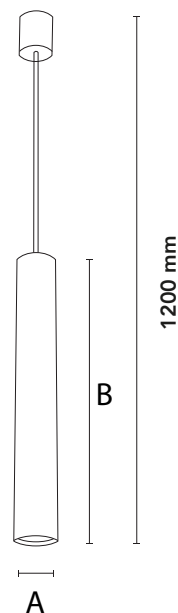
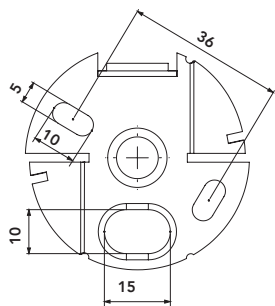
Maintenance: Clean with a soft cloth, possibly moistened with soap and water. Do not use alcohol and/or solvent.

If any steps in the installation instructions are unclear, please contact us:

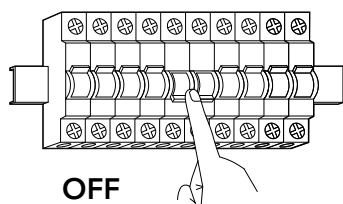
tel. +31 (0) 76 369 00 24  
 e-mail support@lightinova.com  
[www.lightinova.com](http://www.lightinova.com)

IP20/54 24V **SELV**

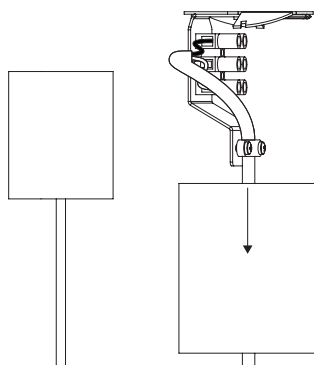
| AFMETING | A     | B     |
|----------|-------|-------|
| 250MM    | Ø55MM | 250MM |
| 400MM    | Ø55MM | 400MM |



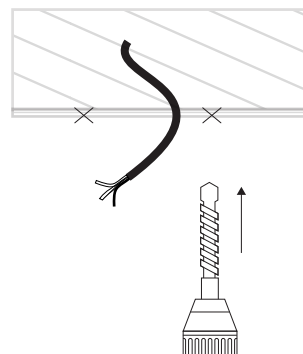
**01**



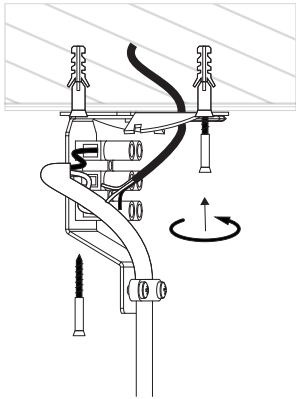
**02**



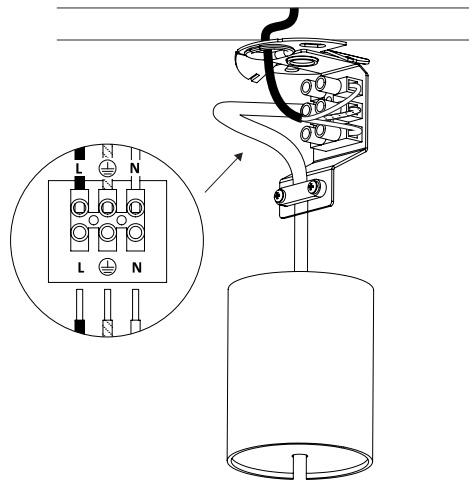
**03**



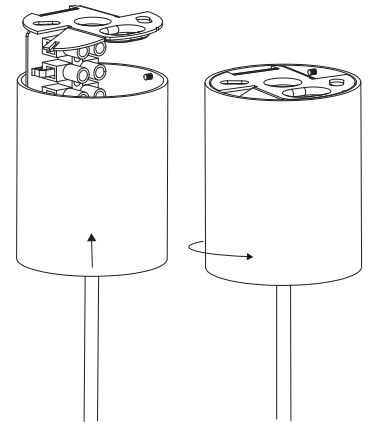
04



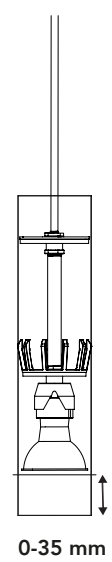
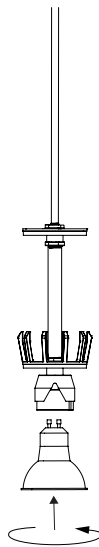
05



06



07



0-35 mm