

**ATTENTION: PLEASE READ THE INSTRUCTIONS**

The safety of this product can only be guaranteed if the installation instructions are respected and carried out by a qualified professional.

**Always disconnect the power before installation.**

Do not attempt to make any modifications on the products. Lightinova declines any responsibility on modified products. Installation should be carried out by a qualified professional. This product is designed for indoor installation.

Maintenance: Clean with a soft cloth, possibly moistened with soap and water. Do not use alcohol and/or solvent.

If any steps in the installation instructions are unclear, please contact us:

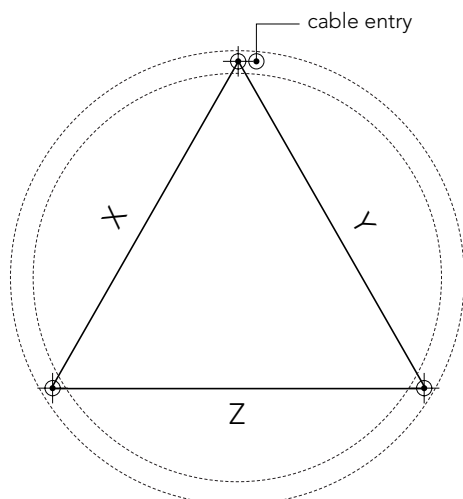
tel. +31 (0) 76 369 00 24  
 e-mail support@lightinova.com  
[www.lightinova.com](http://www.lightinova.com)

IP20 CE 24V SELV

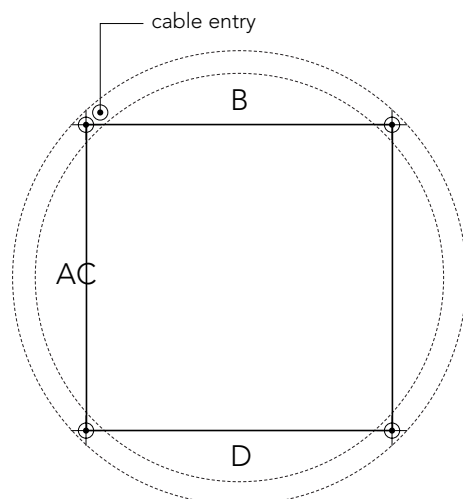
**01**

SIZE	X / Y / Z
Ø 1200MM	101MM
Ø 900MM	75MM
Ø 600MM	49MM

SIZE	A / B / C / D
Ø 1800MM	125MM

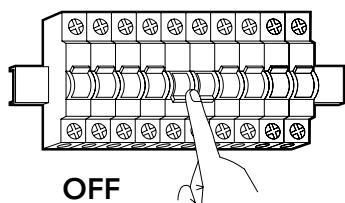


Ø 600MM, 900MM, 1200MMØ

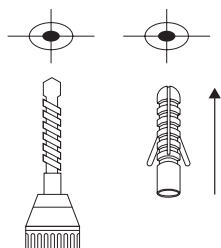


1800MM

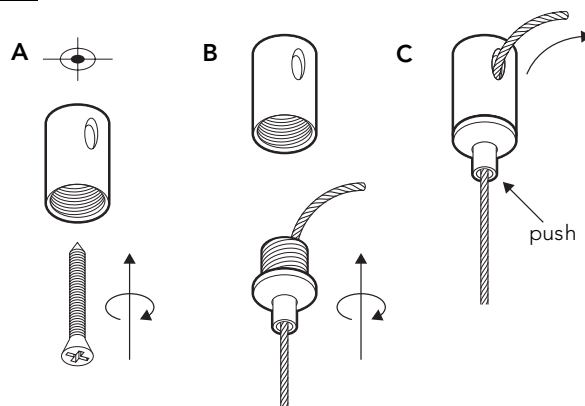
**02**



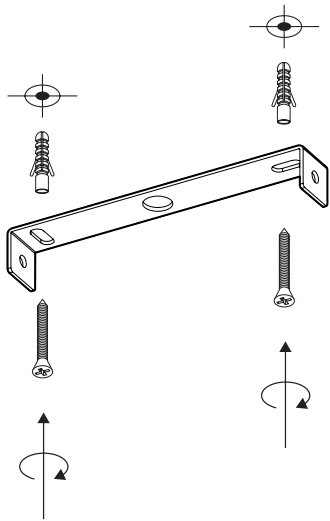
**03**



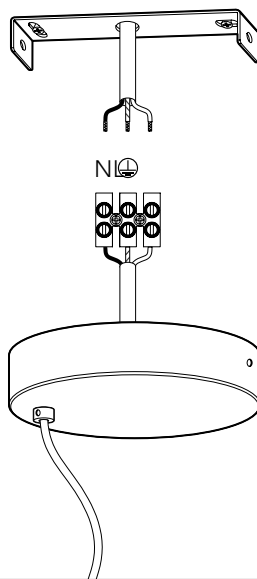
**04**



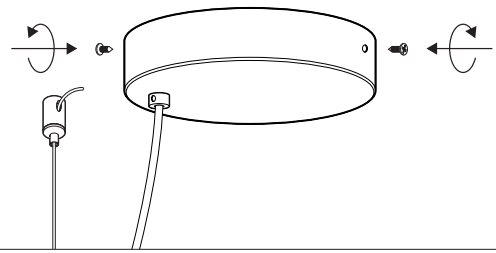
05



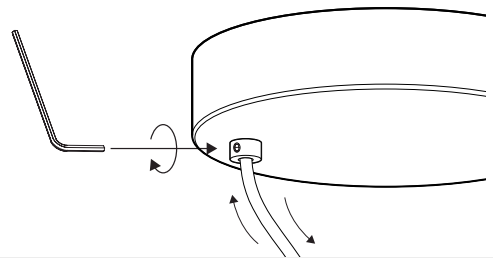
06



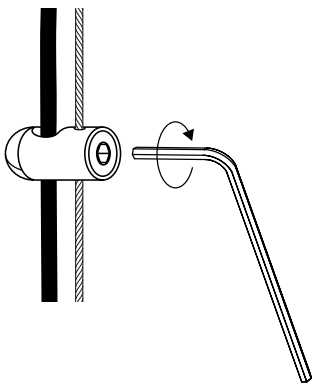
07



08



09



10

