

IP20 CE   SELV

**ATTENTION: PLEASE READ THE INSTRUCTIONS**

The safety of this product can only be guaranteed if the installation instructions are respected and carried out by a qualified professional.

**Always disconnect the power before installation.**

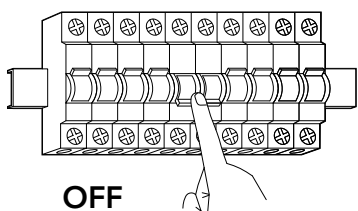
Do not attempt to make any modifications on the products. Lightinova declines any responsibility on modified products. Installation should be carried out by a qualified professional. This product is designed for outdoor installation.

Maintenance: Clean with a soft cloth, possibly moistened with soap and water. Do not use alcohol and/or solvent.

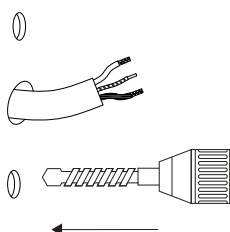
If any steps in the installation instructions are unclear, please contact us:

tel. +31 (0) 76 369 00 24  
 e-mail support@lightinova.com  
[www.lightinova.com](http://www.lightinova.com)

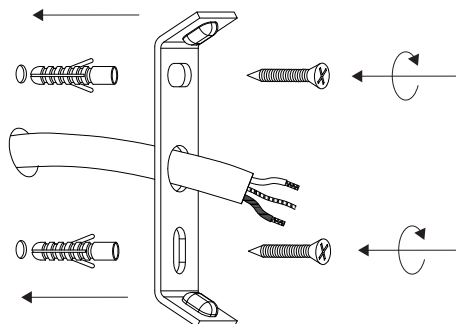
01



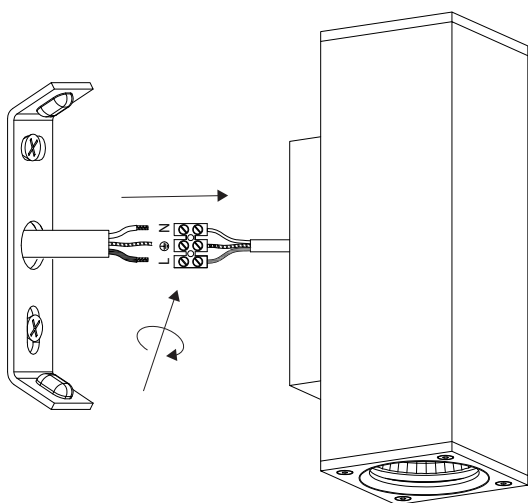
02



03



04



05

