

# Parts Catalogue

'15-'19 KLX110 CFF/CGF/CHF/CJF/CKF(EU)  
(KLX110)

## '15-'19 KLX110 CFF/CGF/CHF/CJF/CKF

## Model Information

---

Year & Model '15 KLX110CFF  
Color 1.LIME GREEN(777)  
VIN No. Range JKALX110CCDA92974 - A97640  
Engine No. Range LX110AEP00001 -  
Owner's Manual No. 99976-1845(E/F/G)  
99976-1846(I/ES/NL)  
Service Manual No. 99924-1429-06

'16 KLX110CGF  
1.LIME GREEN(777)  
JKALX110CCDA97641 - AA2590  
LX110AEP00001 -  
99976-1923(E/F/G)  
99976-1924(I/ES/NL)  
99924-1429-07

'17 KLX110CHF  
1.LIME GREEN(777)  
JKALX110CCDAA2591 - AA8860  
LX110AEP00001 -  
99976-0011(E/F/G)  
99976-0012(I/ES/NL)  
99924-1429-08

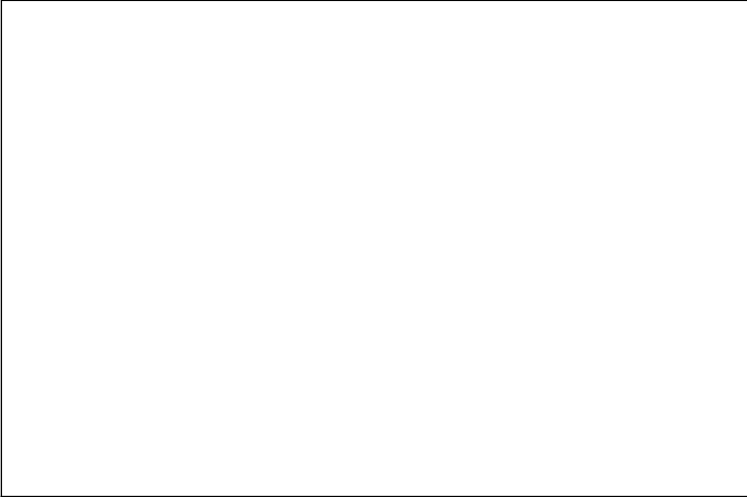
Year & Model '18 KLX110CJF  
Color 1.LIME GREEN(777)  
VIN No. Range JKALX110CCDAA8861 - AB6280  
Engine No. Range LX110AEP00001 -  
Owner's Manual No. 99976-0074(E/F/G)  
99976-0075(I/ES/NL)  
Service Manual No. 99924-1429-09

'19 KLX110CKF  
1.LIME GREEN(777)  
JKALX110CCDAB6281 -  
LX110AEP00001 -  
99976-0132(E/F/G)  
99976-0133(I/ES/NL)  
99924-1429-10

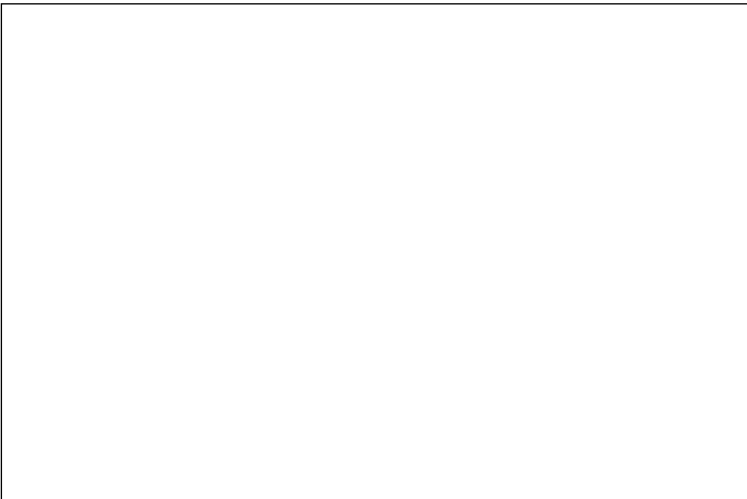


# KLX110CFF

Left Side View

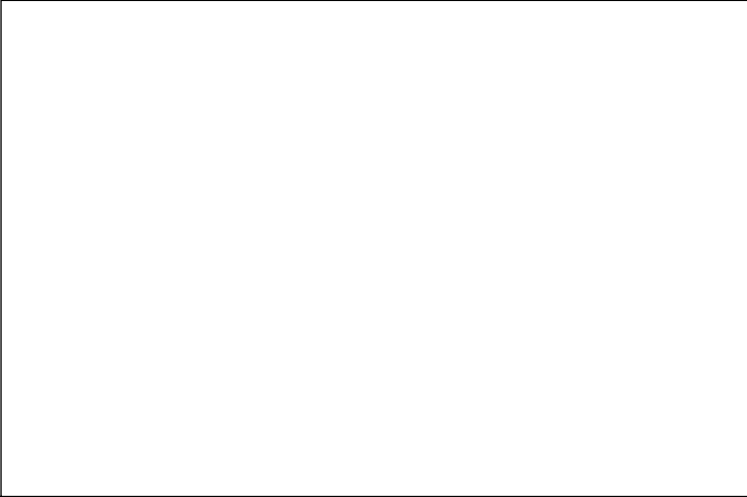


Right Side View

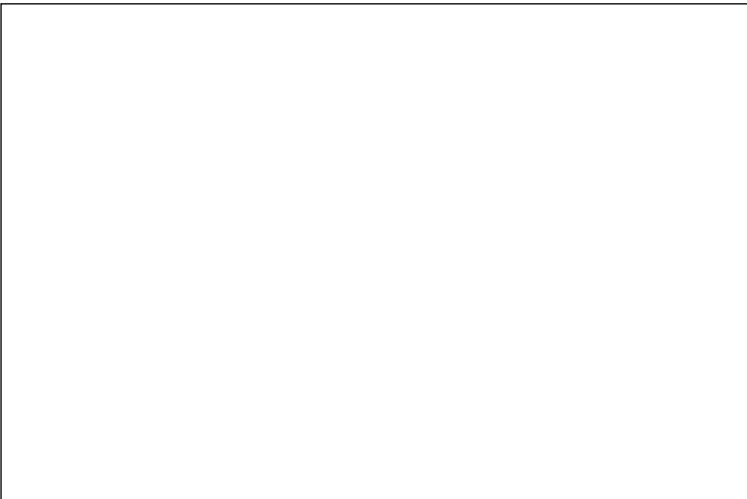


# KLX110CGF

Left Side View



Right Side View

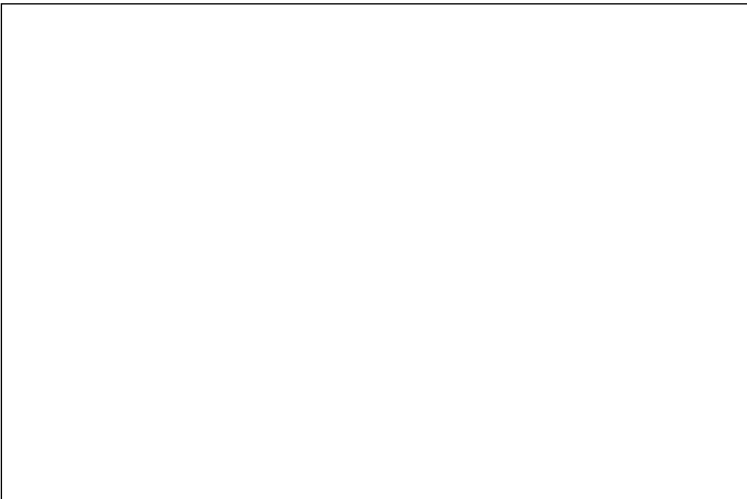


# KLX110CHF

Left Side View



Right Side View



# KLX110CJF

Left Side View

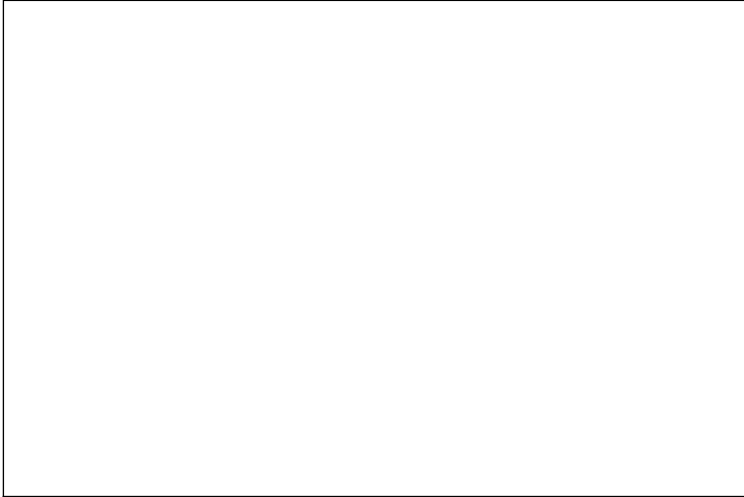


Right Side View

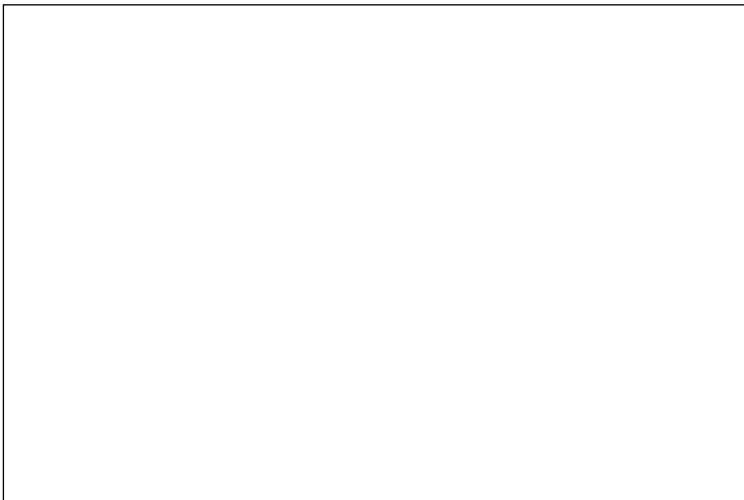


# KLX110CKF

Left Side View



Right Side View





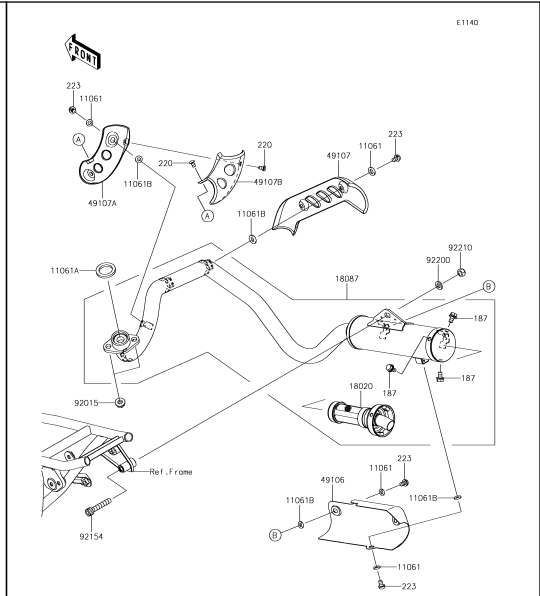
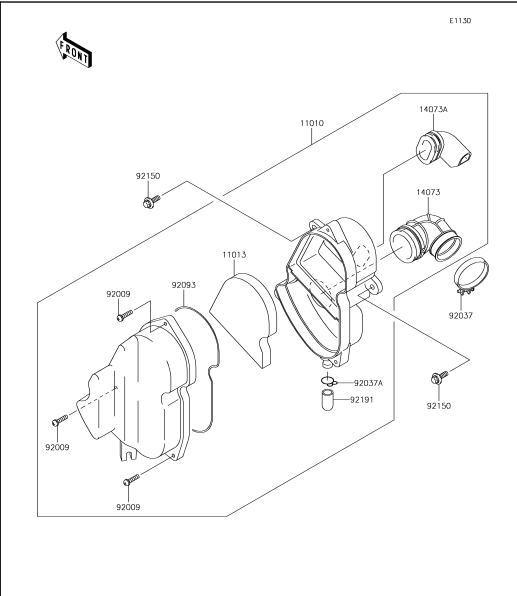
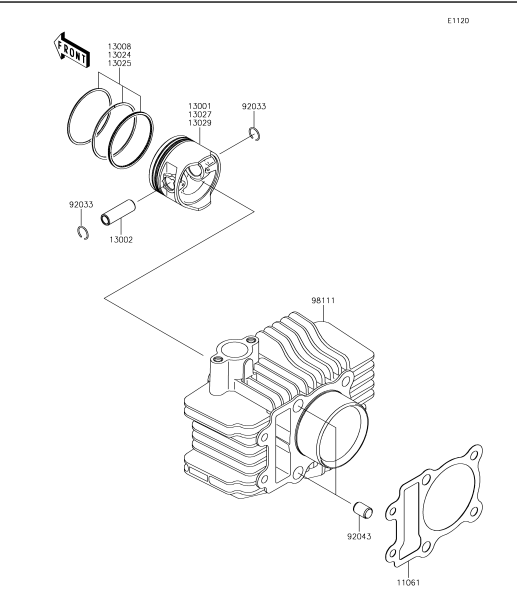
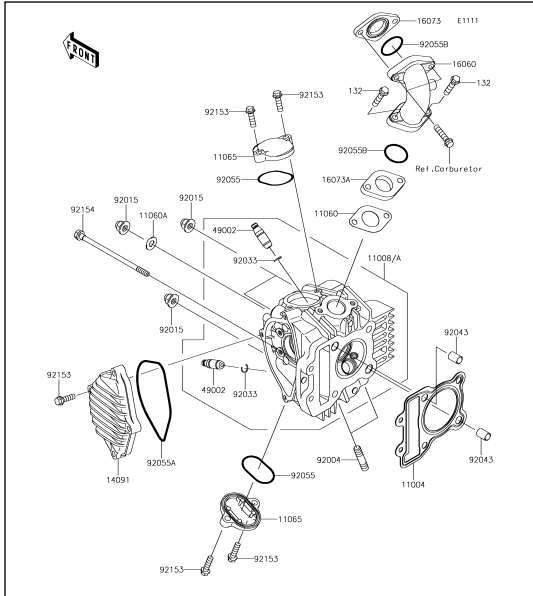










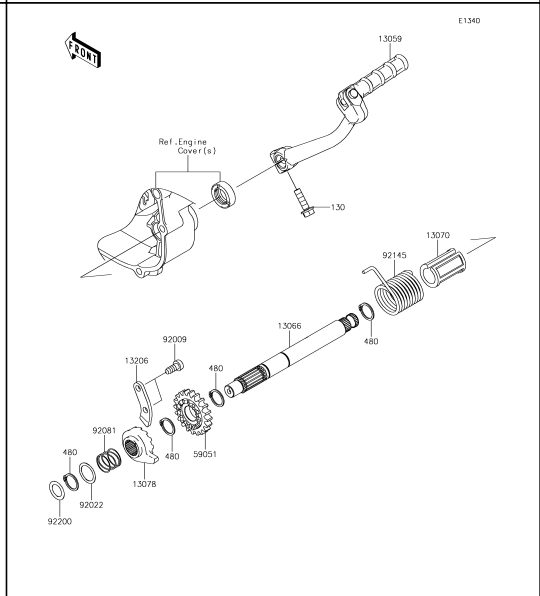
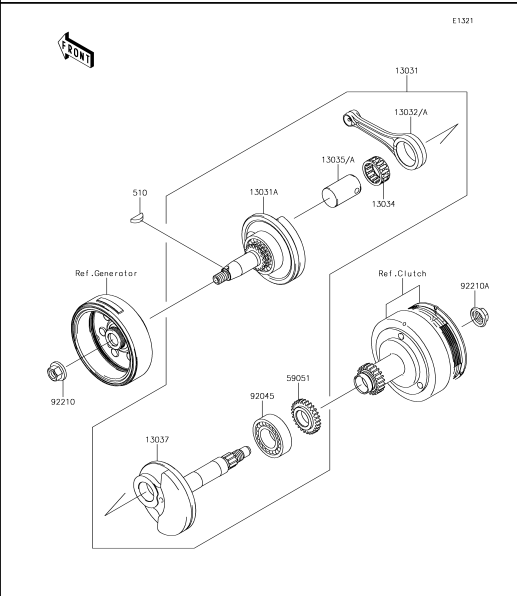
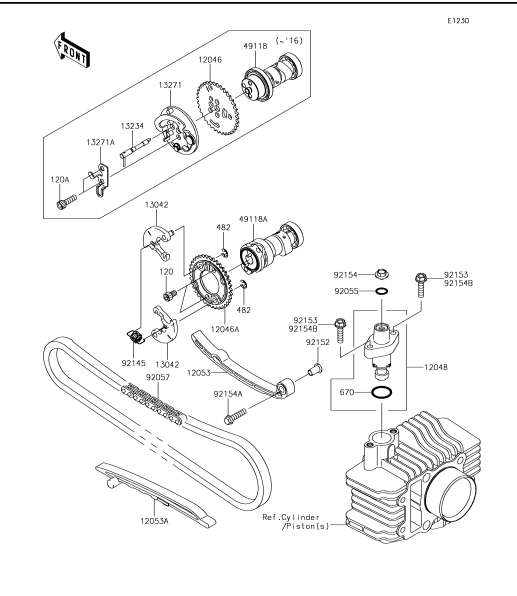
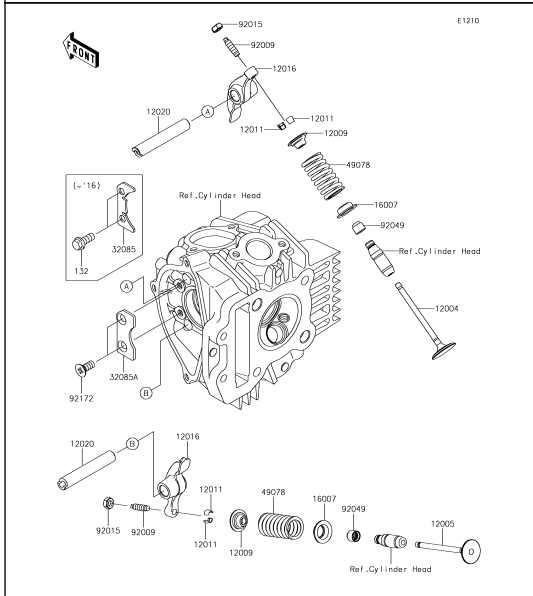


**1** Cylinder Head

**2** Cylinder/Piston(s)

**3** Air Cleaner

**4** Muffler(s)

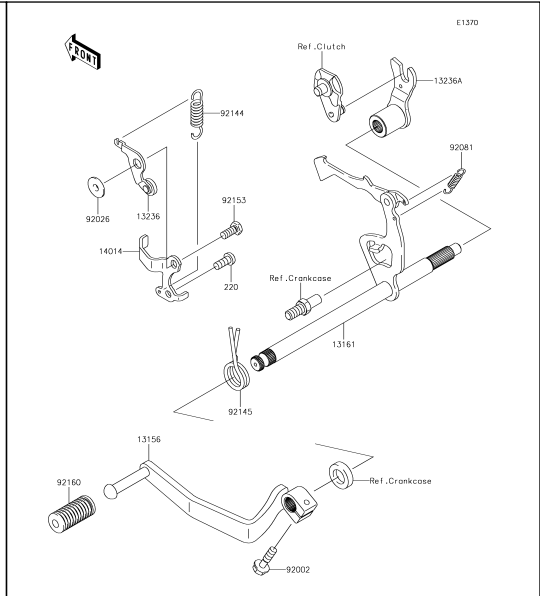
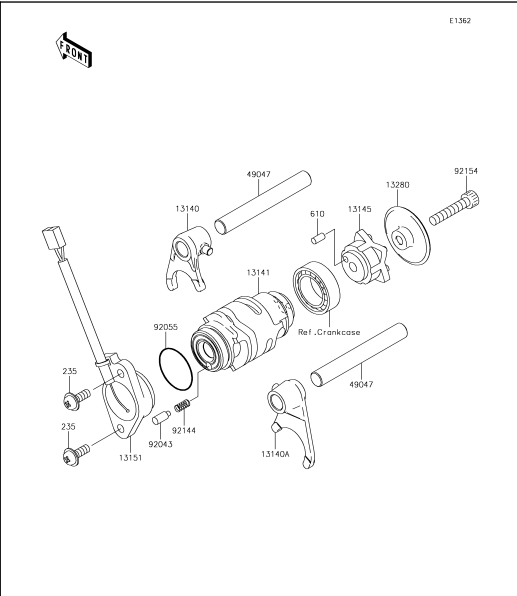
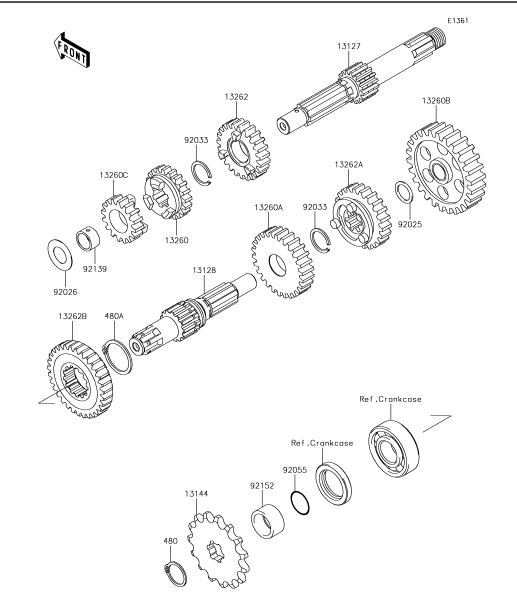
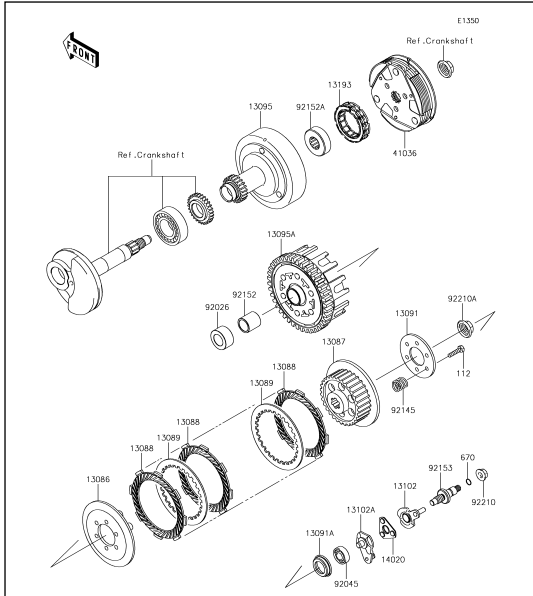


**5** Valve(s)

**6** Camshaft(s)/Tensioner

**7** Crankshaft

**8** Kickstarter Mechanism

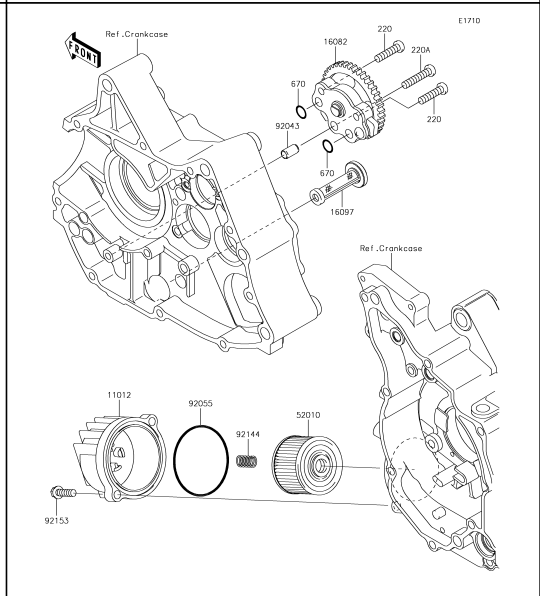
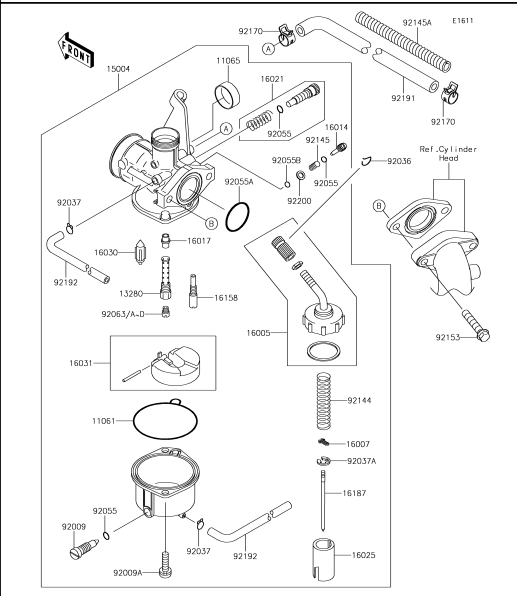
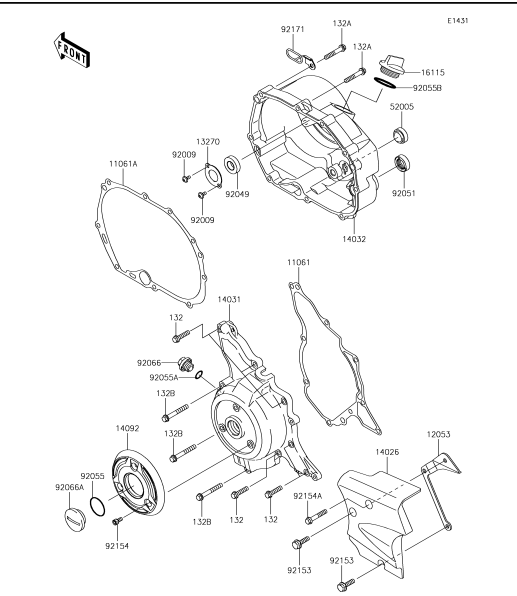
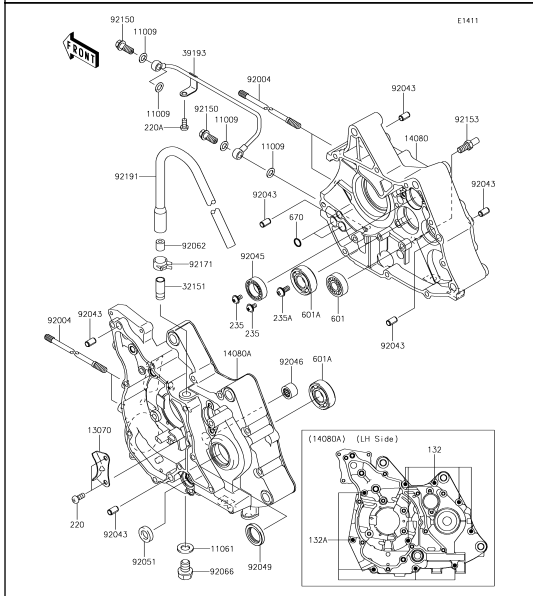


**9** Clutch

**10** Transmission

**11** Gear Change Drum/Shift Fork(s)

**12** Gear Change Mechanism

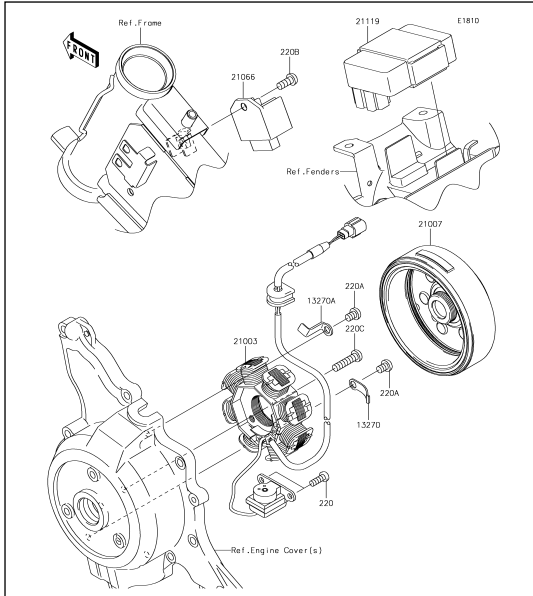


**13** Crankcase

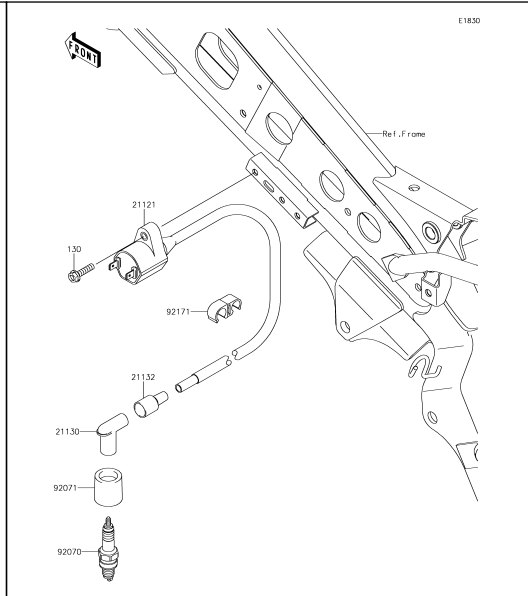
**14** Engine Cover(s)

**15** Carburetor

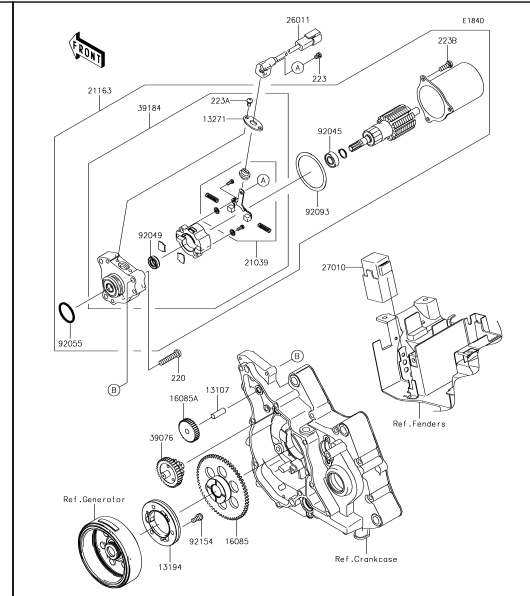
**16** Oil Pump



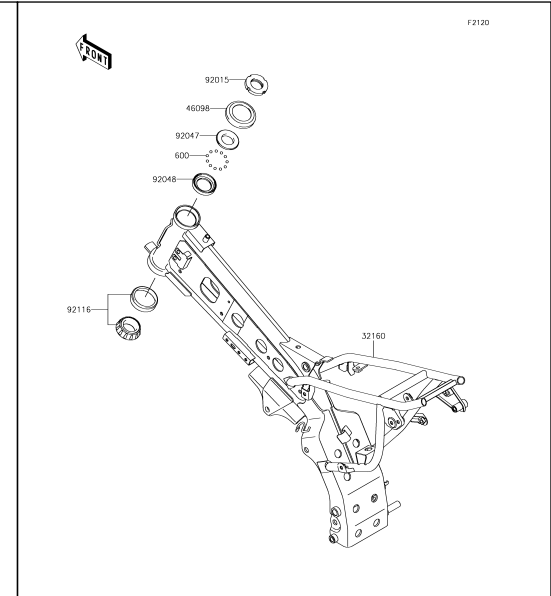
**17** Generator



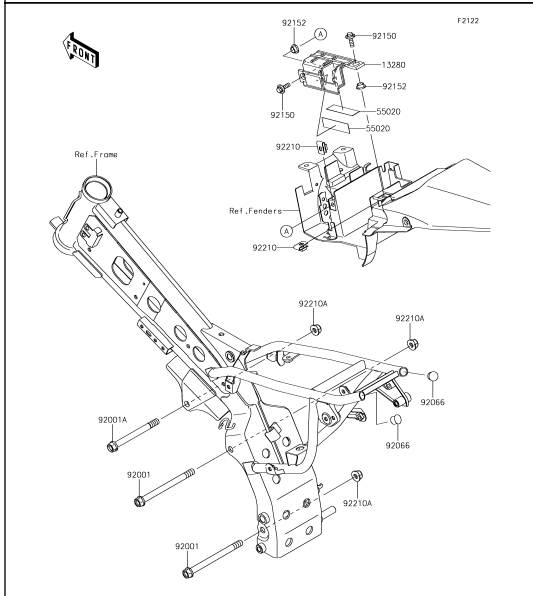
**18** Ignition System



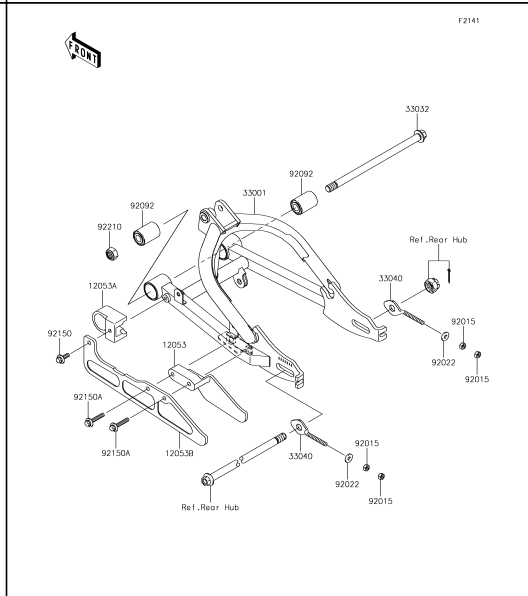
**19** Starter Motor



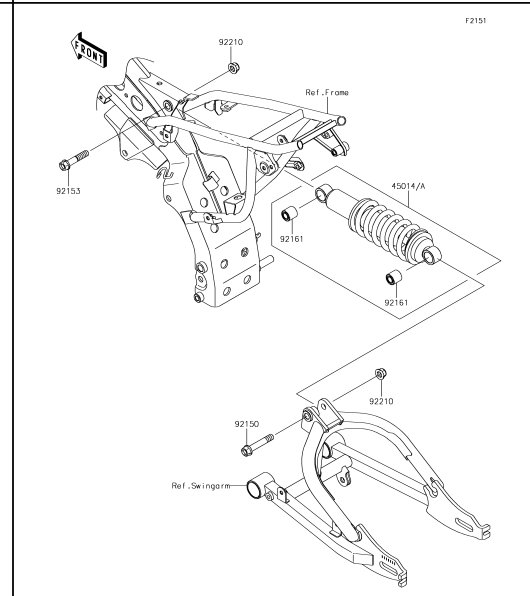
**20** Frame



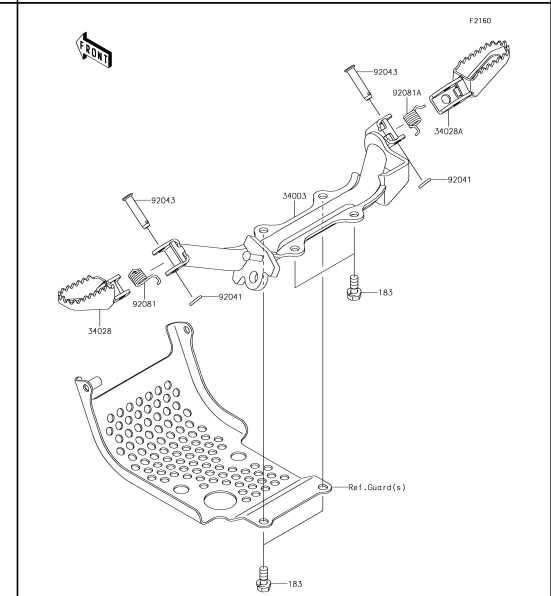
**21** Engine Mount



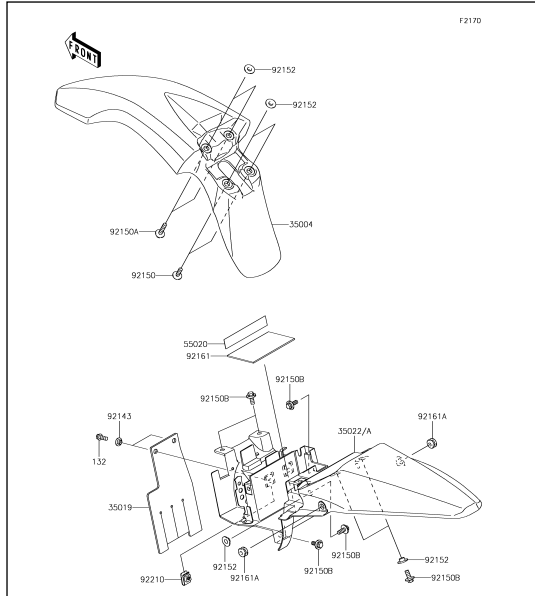
**22** Swingarm



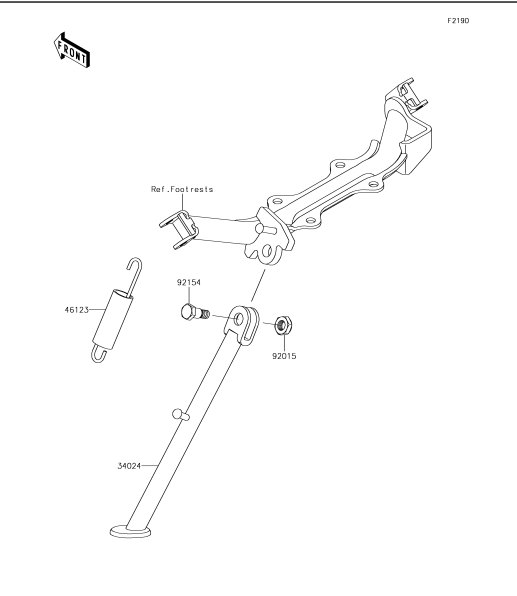
**23** Suspension/Shock Absorber



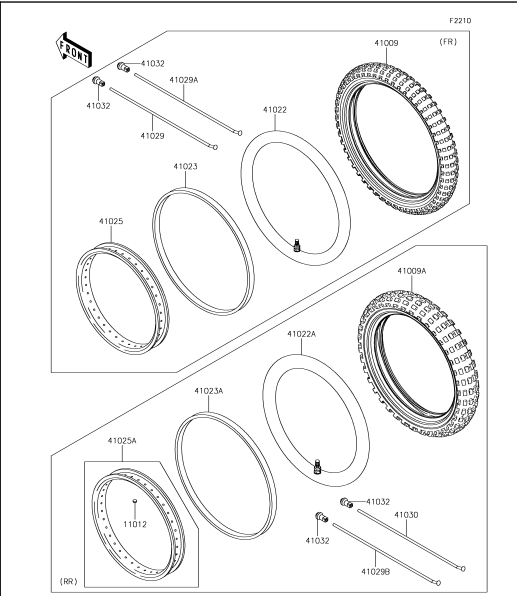
**24** Footrests



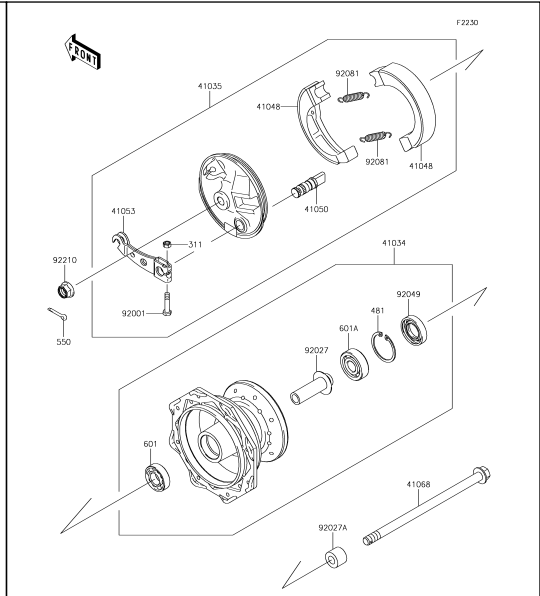
**25** Fenders



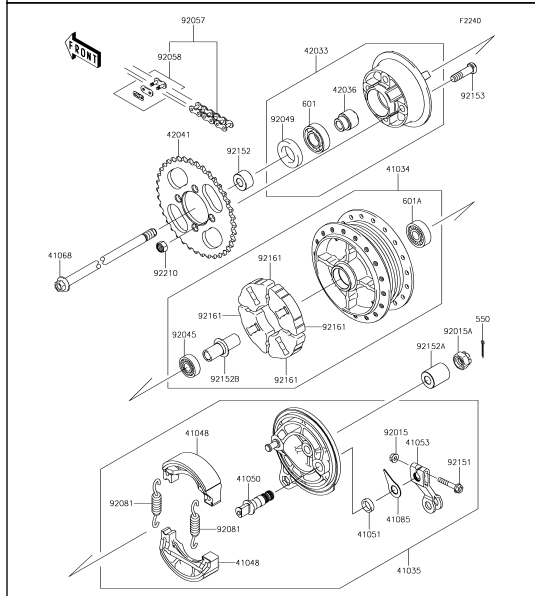
**26** Stand(s)



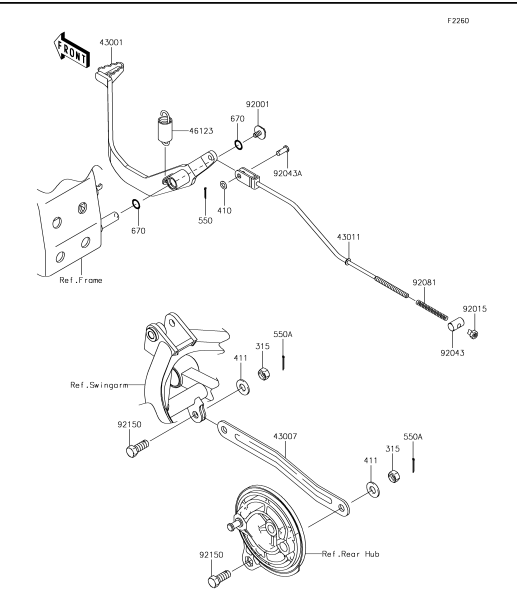
**27** Tires



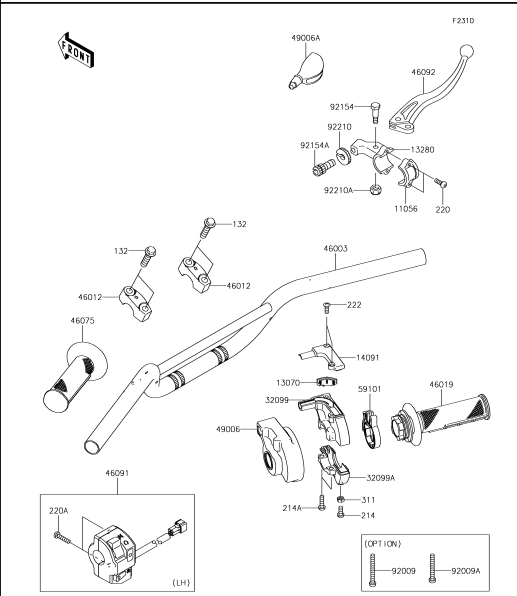
**28** Front Hub



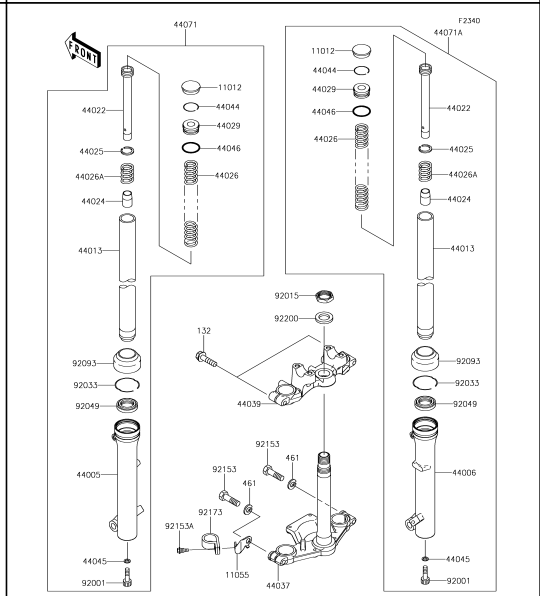
**29** Rear Hub



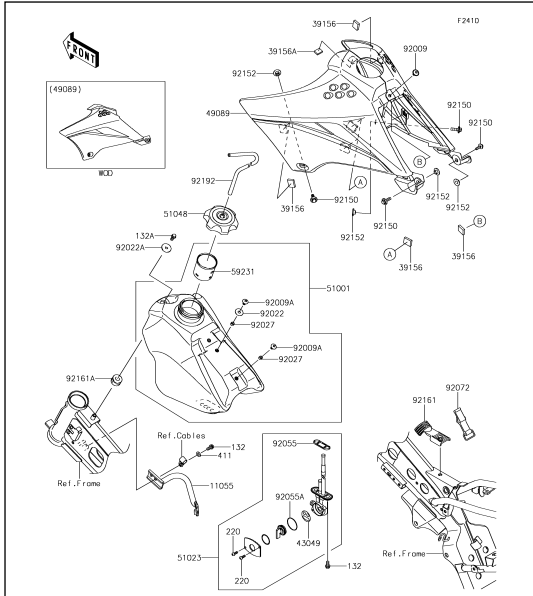
**30** Brake Pedal



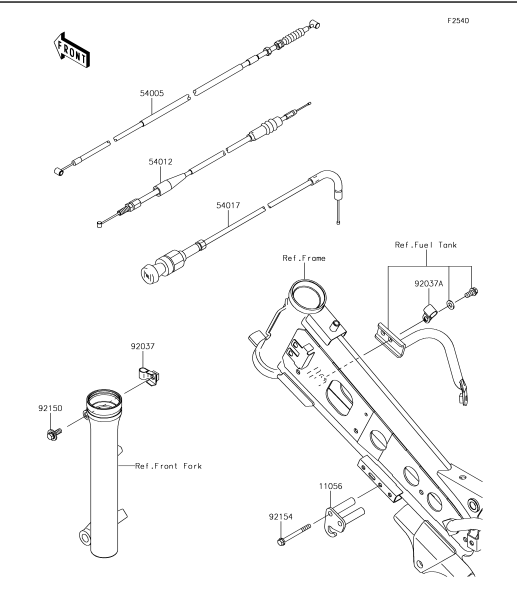
**31** Handlebar



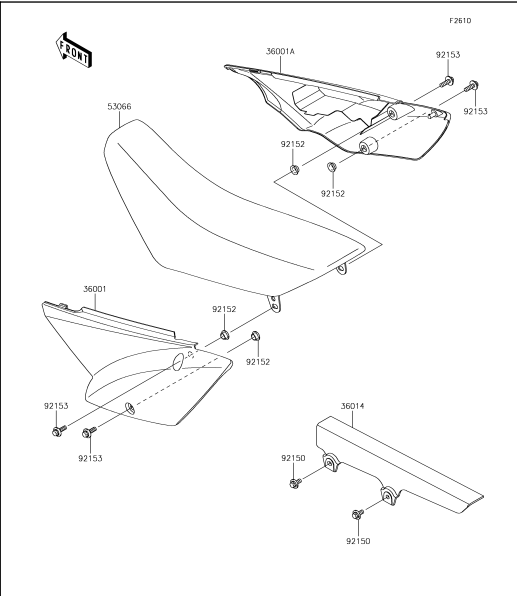
**32** Front Fork



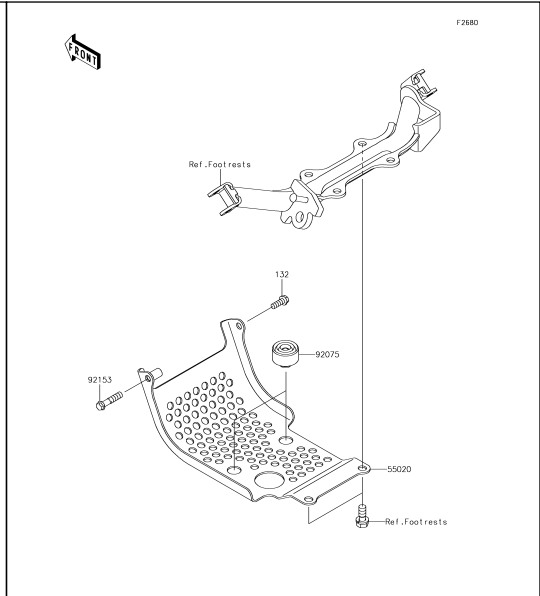
**33** Fuel Tank



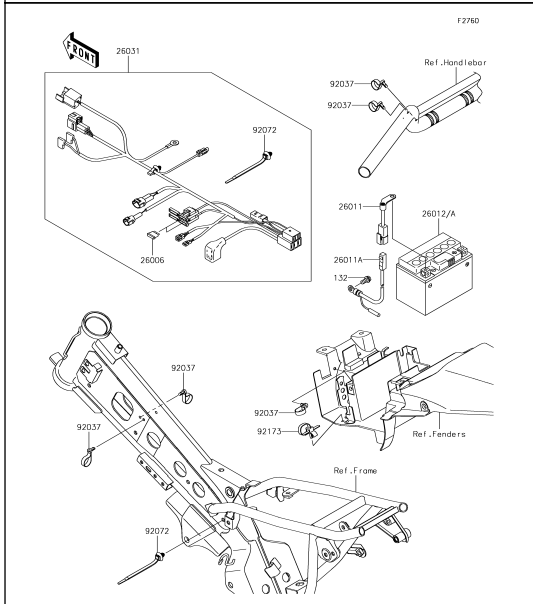
**34** Cables



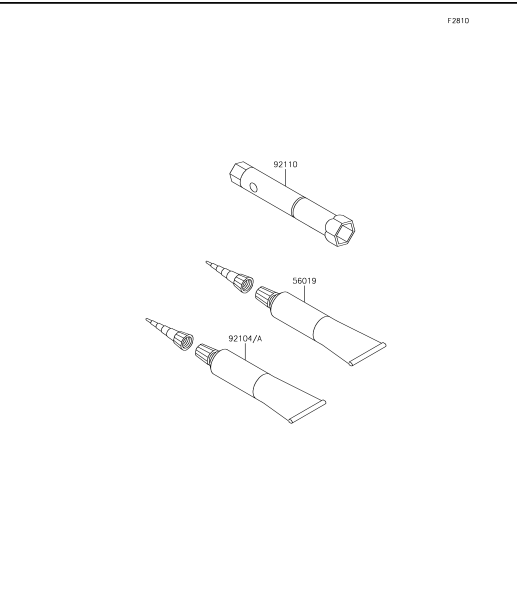
**35** Side Covers/Chain Cover



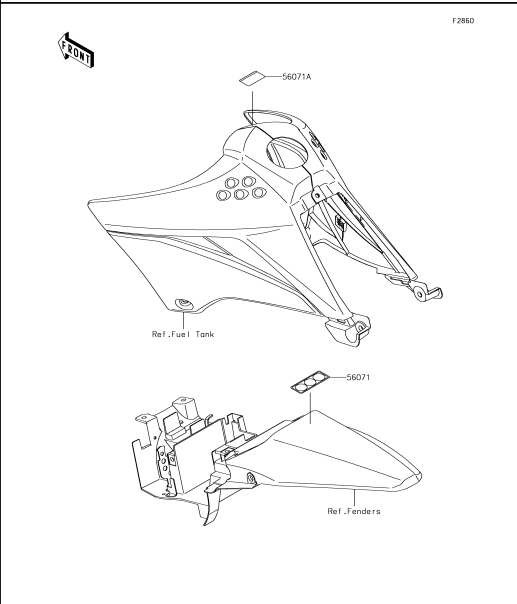
**36** Guard(s)



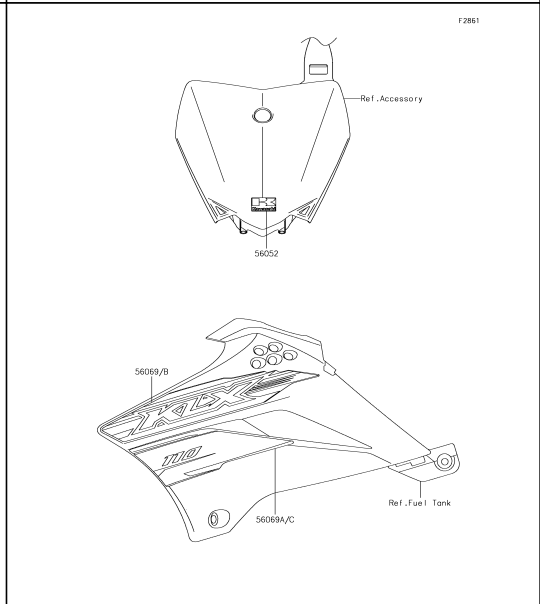
**37** Chassis Electrical Equipment



**38** Owner's Tools

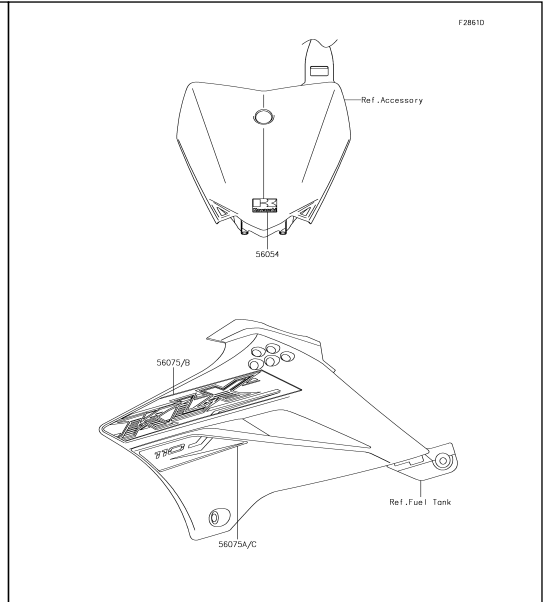
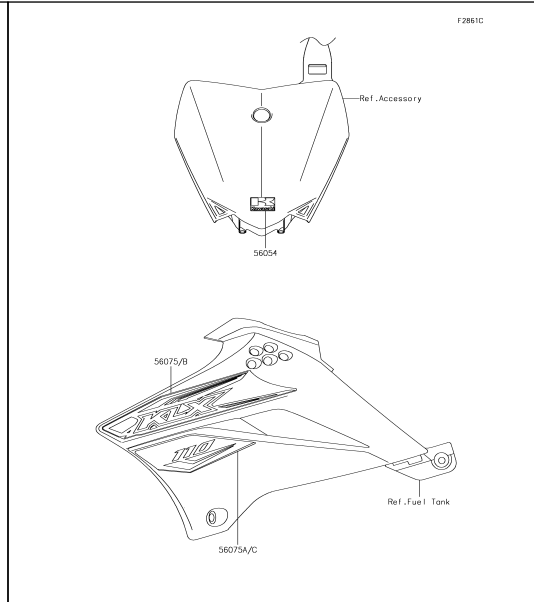
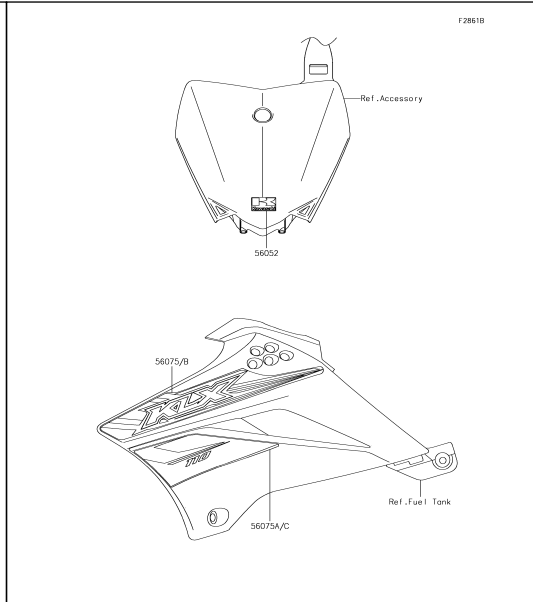
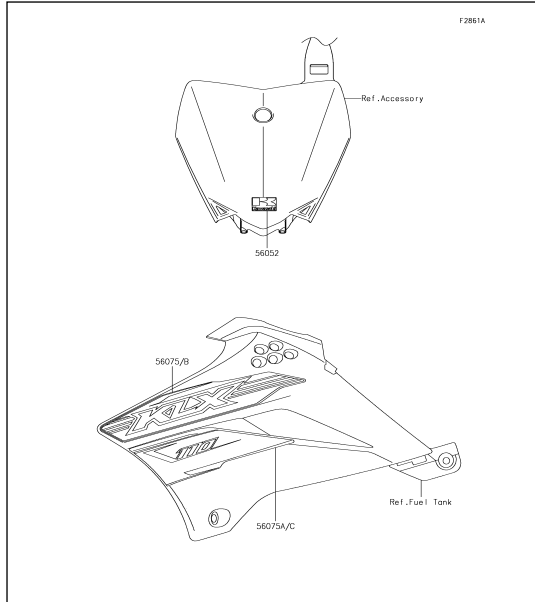


**39** Labels



**40** Decals(CFF)



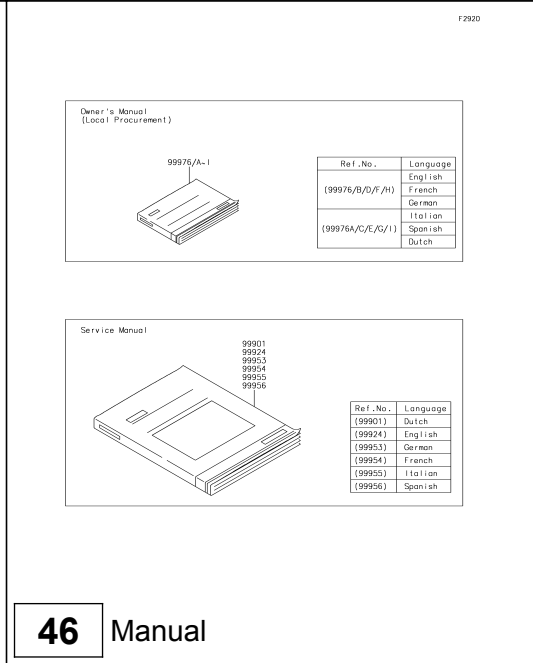
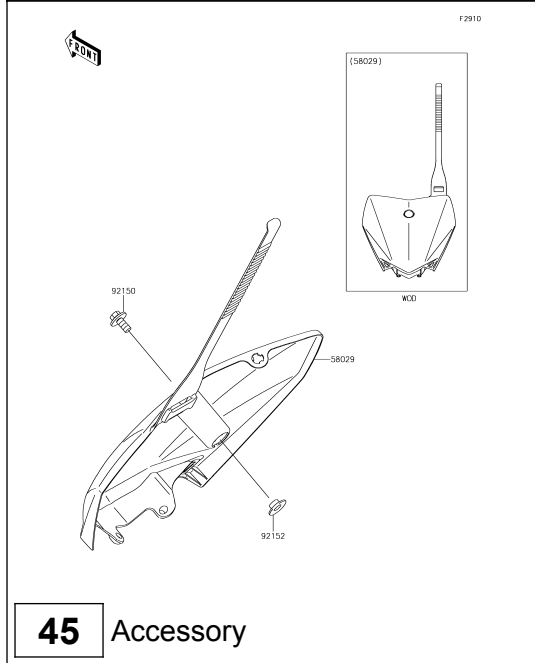


**41** Decals(CGF)

**42** Decals(CHF)

**43** Decals(CJF)

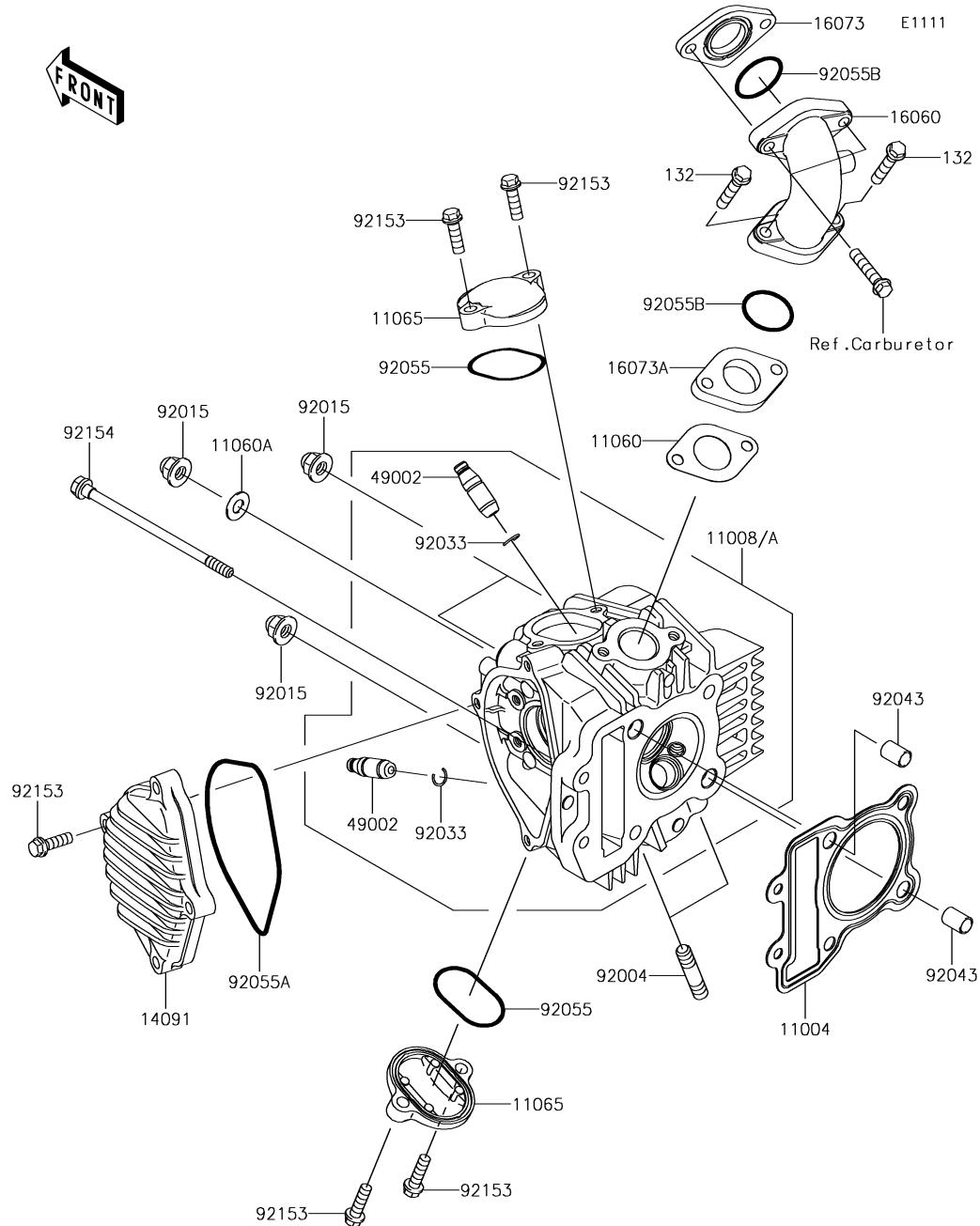
**44** Decals(CKF)



**45** Accessory

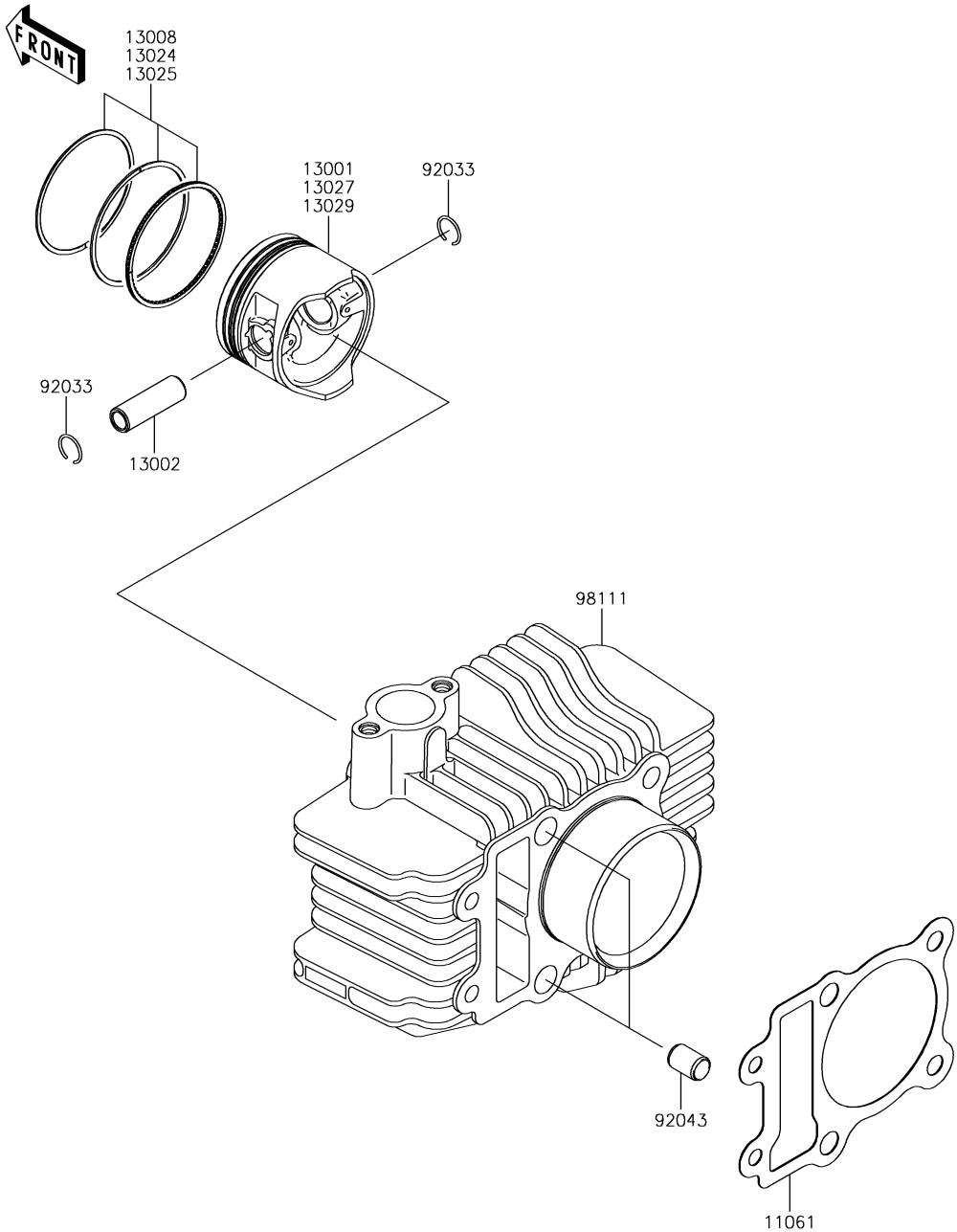
**46** Manual

## 1. Cylinder Head



Ref. No.	Part No.	Description	Spec Code	Quantity				
				'15	'16	'17	'18	'19
				CFF	GGF	CHF	CJF	CKF
11004	11004-1338	GASKET-HEAD	1	1	1	1	1	
11008	11008-0184	HEAD-COMP-CYLINDER	1	1				
11008A	11008-0890	HEAD-COMP-CYLINDER			1	1	1	
11060	11060-1753	GASKET,INTAKE PIPE	1	1	1	1	1	
11060A	11060-1862	GASKET	1	1	1	1	1	
11065	11065-0800	CAP,VALVE,ADJUSTING	2	2	2	2	2	
14091	14091-1447	COVER,CAMSHAFT	1	1	1	1	1	
16060	16060-0021	PIPE-INTAKE	1	1	1	1	1	
16073	16073-1102	INSULATOR,CARBURETOR	1	1	1	1	1	
16073A	16073-1108	INSULATOR,HEAD	1	1	1	1	1	
49002	49002-0033	GUIDE-VALVE	2	2	2	2	2	
92004	92004-1284	STUD,8X28.5	2	2	2	2	2	
92015	92015-1151	NUT,CAP,8MM	4	4	4	4	4	
92033	92033-1247	RING-SNAP	2	2	2	2	2	
92043	92043-0100	PIN,8.2X10X14	2	2	2	2	2	
92055	92055-1231	RING-O,ADJUST CAP	2	2	2	2	2	
92055A	92055-1527	RING-O,91X2.5	1	1	1	1	1	
92055B	92055-1528	RING-O,25.5X2.0	2	2	2	2	2	
92153	92153-1184	BOLT,6X20	8	8	8	8	8	
92154	92154-2693	BOLT,6X106	2	2	2	2	2	
132	132BD0630	BOLT-FLANGED-SMALL,6X30	2	2	2	2	2	

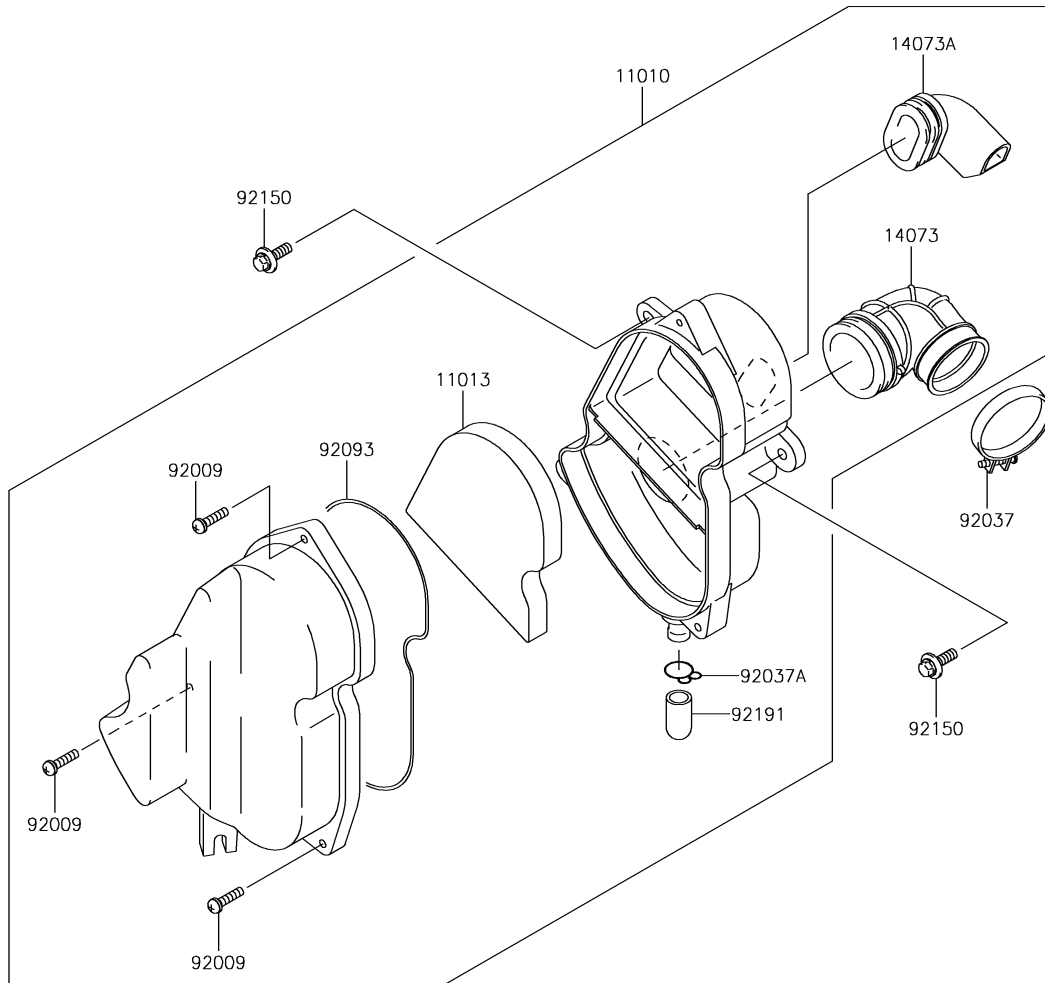
E1120



## 2. Cylinder/Piston(s)

Ref. No.	Part No.	Description	Spec Code	Quantity				
				'15	'16	'17	'18	'19
				CFF	GGF	CHF	CJF	CKF
11061	11061-0256	GASKET,CYLINDER BASE	1	1	1	1	1	
13001	13001-0118	PISTON-ENGINE,STD	1	1	1	1	1	
13002	13002-0031	PIN-PISTON	1	1	1	1	1	
13008	13008-0011	RING-SET-PISTON	1	1	1	1	1	
13024	13024-0007	RING-SET-PISTON LL,O/S 1.00 (OPTION)	1	1	1	1	1	
13025	13025-0008	RING-SET-PISTON L,O/S 0.50 (OPTION)	1	1	1	1	1	
13027	13027-0015	PISTON-ENGINE LL (OPTION)	1	1	1	1	1	
13029	13029-0020	PISTON-ENGINE L (OPTION)	1	1	1	1	1	
92033	92033-1072	RING-SNAP	2	2	2	2	2	
92043	92043-0100	PIN,8.2X10X14	2	2	2	2	2	
98111	98111-0031	CYLINDER-COMP-ENGINE	1	1	1	1	1	

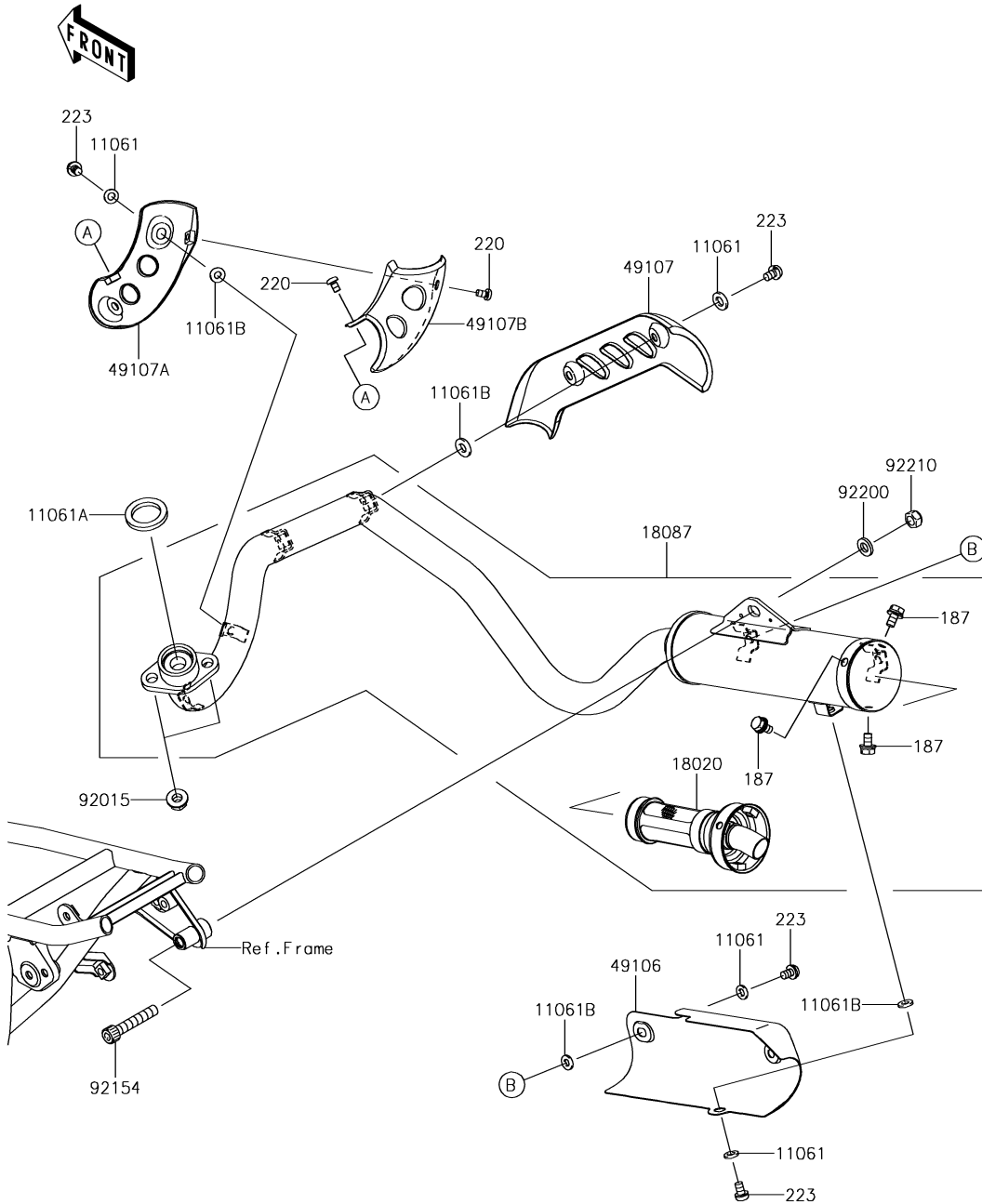
E1130



### 3. Air Cleaner

Ref. No.	Part No.	Description	Spec Code	Quantity				
				'15	'16	'17	'18	'19
				CFF	GGF	CHF	CJF	CKF
11010	11010-1773	FILTER-ASSY-AIR	1	1	1	1	1	
11013	11013-1294	ELEMENT-AIR FILTER	1	1	1	1	1	
14073	14073-1819	DUCT,CARBURETOR	1	1	1	1	1	
14073A	14073-1820	DUCT,IN	1	1	1	1	1	
92009	92009-1990	SCREW,M5X20	3	3	3	3	3	
92037	92037-1305	CLAMP	1	1	1	1	1	
92037A	92037-1900	CLAMP,14.5MM	1	1	1	1	1	
92093	92093-1560	SEAL,AIR CLEANER	1	1	1	1	1	
92150	92150-1339	BOLT,FLANGED,6X20	2	2	2	2	2	
92191	92191-1704	TUBE	1	1	1	1	1	

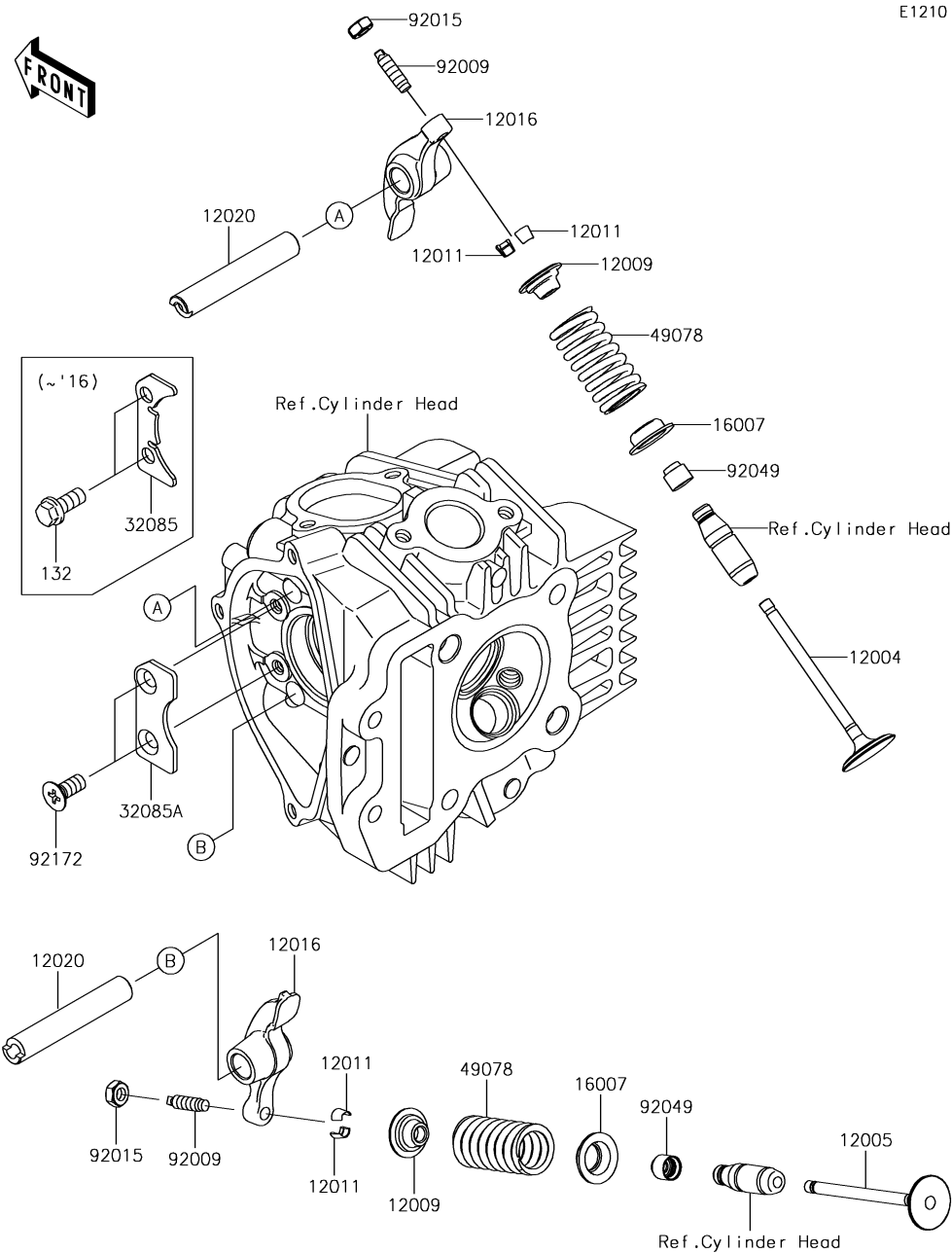
E1140



#### 4. Muffler(s)

Ref. No.	Part No.	Description	Spec Code	Quantity				
				'15	'16	'17	'18	'19
				CFF	GGF	CHF	CJF	CKF
11061	11061-0372	GASKET,6.2X11.5X1.5	7	7	7	7	7	
11061A	11061-1112	GASKET,EXHAUST PIPE	1	1	1	1	1	
11061B	11061-1148	GASKET,5.8X12X1.5	7	7	7	7	7	
18020	18020-0084	BAFFLE	1	1	1	1	1	
18087	18087-0266	MUFFLER	1	1	1	1	1	
49106	49106-0094	COVER-MUFFLER	1	1	1	1	1	
49107	49107-1213	COVER-EXHAUST PIPE	1	1	1	1	1	
49107A	49107-1217	COVER-EXHAUST PIPE	1	1	1	1	1	
49107B	49107-1221	COVER-EXHAUST PIPE	1	1	1	1	1	
92015	92015-1402	NUT,8MM	2	2	2	2	2	
92154	92154-0361	BOLT,SOCKET,8X45	1	1	1	1	1	
92200	92200-0449	WASHER,8.1X15X2.3	1	1	1	1	1	
92210	92210-0606	NUT,LOCK,8MM	1	1	1	1	1	
187	187AA0612	BOLT-UPSET-WSP,6X12	3	3	3	3	3	
220	220AB0508	SCREW-PAN-CROS,5X8	2	2	2	2	2	
223	223AB0610	SCREW-PAN-WS-CROS,6X10	7	7	7	7	7	

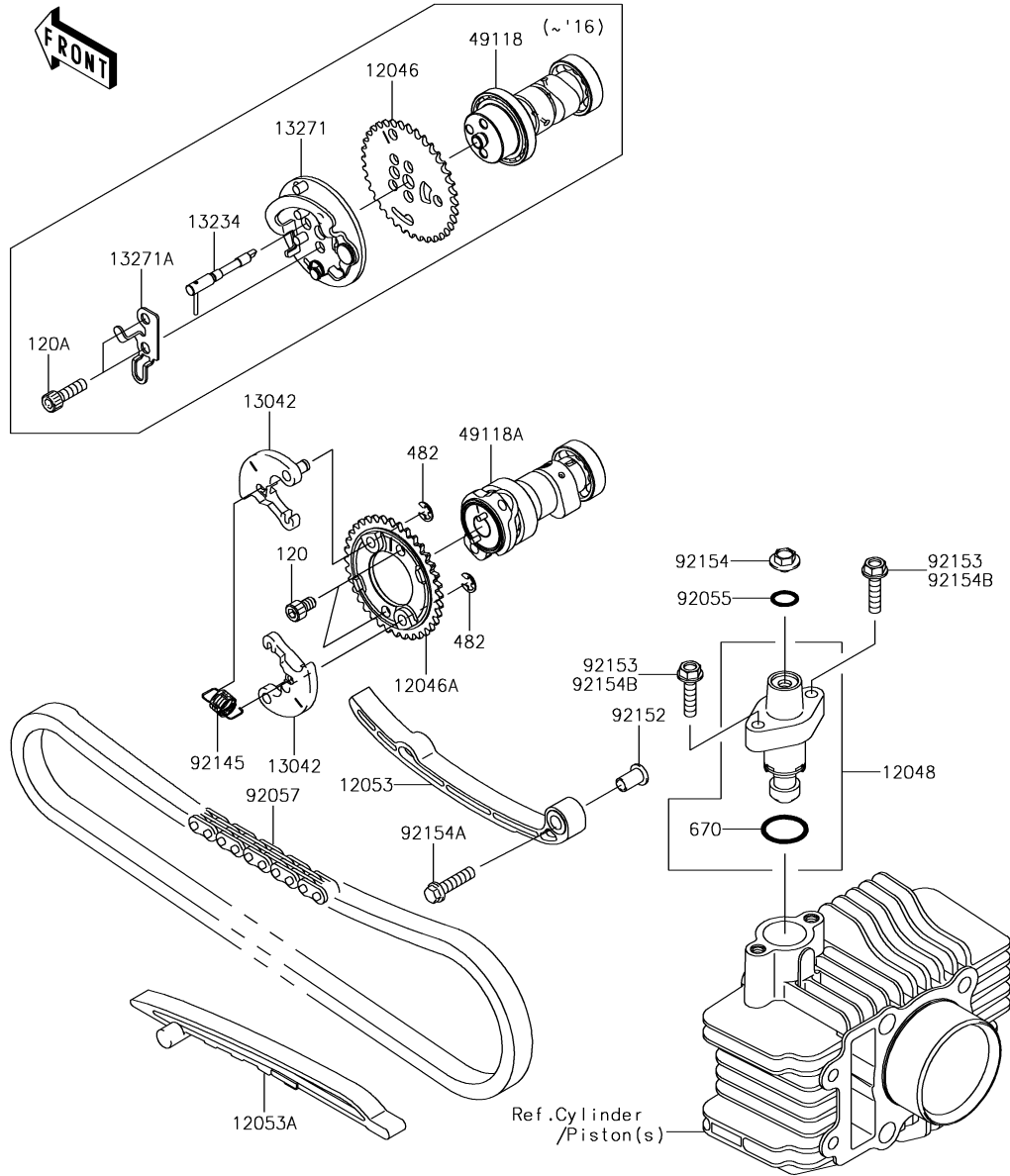
E1210



## 5. Valve(s)

Ref. No.	Part No.	Description	Spec Code	Quantity				
				'15	'16	'17	'18	'19
				CFF	GGF	CHF	CJF	CKF
12004	12004-0710	VALVE-INTAKE	1	1	1	1	1	
12005	12005-0713	VALVE-EXHAUST	1	1	1	1	1	
12009	12009-1073	RETAINER-VALVE SPRING	2	2	2	2	2	
12011	12011-1053	COLLET	4	4	4	4	4	
12016	12016-0001	ARM-ROCKER	2	2	2	2	2	
12020	12020-0010	SHAFT-ROCKER	2	2	2	2	2	
16007	16007-1187	SEAT-SPRING, VALVE	2	2	2	2	2	
32085	32085-0197	STOPPER	1	1				
32085A	32085-1553	STOPPER			1	1	1	
49078	49078-1151	SPRING-ENGINE VALVE	2	2	2	2	2	
92009	92009-1109	SCREW, VALVE ADJUST	2	2	2	2	2	
92015	92015-1137	NUT, VALVE ADJUST LOCK	2	2	2	2	2	
92049	92049-1349	SEAL-OIL, VSB 4.3 7.5 5.3 8.3	2	2	2	2	2	
92172	92172-0143	SCREW, 6X15			2	2	2	
132	132BA0614	BOLT-FLANGED-SMALL, 6X14	2	2				

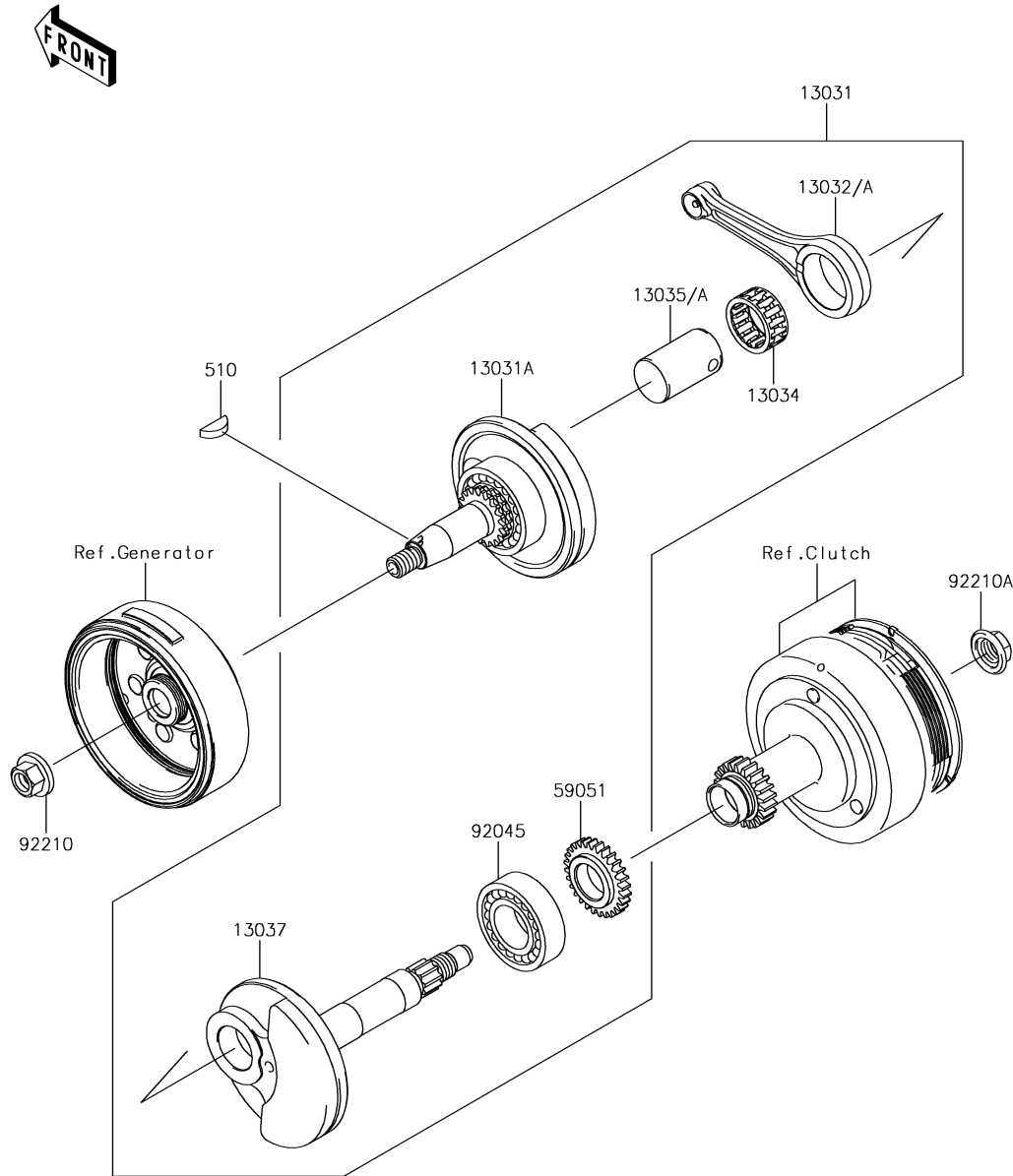
E1230



## 6. Camshaft(s)/Tensioner

Ref. No.	Part No.	Description	Spec Code	Quantity				
				'15	'16	'17	'18	'19
				CFF	GGF	CHF	CJF	CKF
12046	12046-0059	SPROCKET	1	1				
12046A	12046-0591	SPROCKET,36T				1	1	1
12048	12048-1164	TENSIONER-ASSY				1	1	1
12053	12053-0185	GUIDE-CHAIN	1	1	1	1	1	1
12053A	12053-1461	GUIDE-CHAIN	1	1	1	1	1	1
13042	13042-1141	WEIGHT,DECOMP				2	2	2
13234	13234-0033	SHAFT-COMP	1	1				
13271	13271-0948	PLATE	1	1				
13271A	13271-0950	PLATE	1	1				
49118	49118-0769	CAMSHAFT-COMP	1	1				
49118A	49118-0880	CAMSHAFT-COMP				1	1	1
92055	92055-0060	RING-O,9.8X2.4	1	1	1	1	1	1
92057	92057-0610	CHAIN,CAM,94L	1	1	1	1	1	1
92145	92145-0132	SPRING				1	1	1
92152	92152-1369	COLLAR,CHAIN GUIDE	1	1	1	1	1	1
92153	92153-1185	BOLT,6X25	2	2				
92154	92154-0536	BOLT,FLANGED,6X6	1	1	1	1	1	1
92154A	92154-1156	BOLT,FLANGED,6X25	1	1	1	1	1	1
92154B	92154-1196	BOLT,FLANGED,6X25				2	2	2
120	120CA0610	BOLT-SOCKET,6X10				2	2	2
120A	120CA0620	BOLT-SOCKET,6X20	2	2				
482	482J5000	CIRCLIP-TYPE-E,5MM				2	2	2
670	670D2021	O RING,21MM	1	1	1	1	1	1

E1321

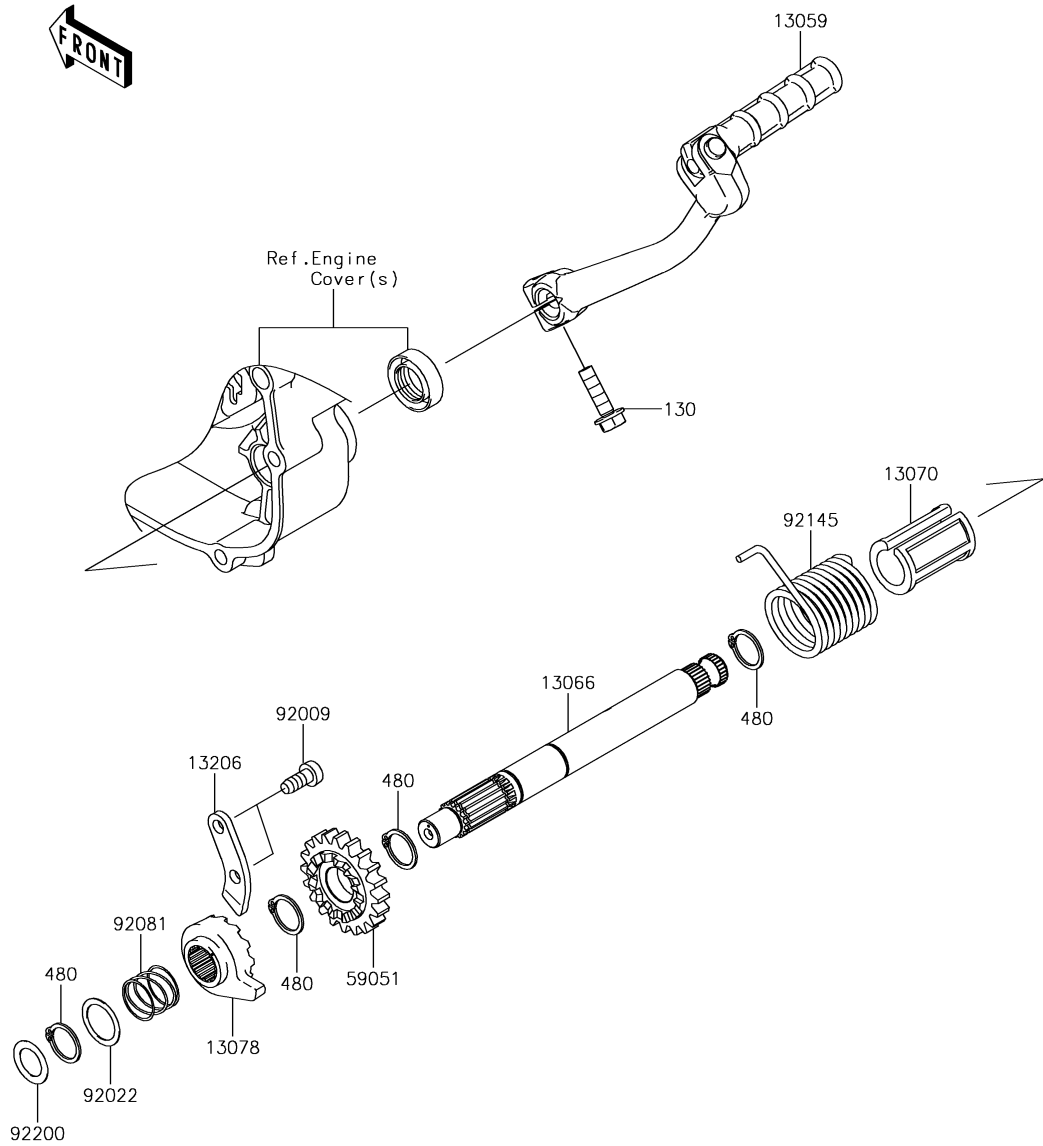


## 7. Crankshaft

Ref. No.	Part No.	Description	Spec Code	Quantity				
				'15	'16	'17	'18	'19
				CFF	GGF	CHF	CJF	CKF
13031	13031-0721	CRANKSHAFT-COMP	1	1	1	1	1	
13031A	13031-0722	CRANKSHAFT-COMP,LH	1	1	1	1	1	
13032	13032-0074	ROD-CONNECTING	1	1				
13032A	13032-0749	ROD-CONNECTING			1	1	1	
13034	13034-0010	BEARING-BIG END,KT 263314EGC06	1	1	1	1	1	
13035	13035-0030	PIN-CRANK			1	1	1	
13035A	13035-0557	PIN-CRANK	1	1				
13037	13037-0128	CRANKSHAFT,RH	1	1	1	1	1	
59051	59051-1402	GEAR-SPUR	1	1	1	1	1	
92045	92045-0771	BEARING-BALL,TMB205CJR2C2	1	1	1	1	1	
92210	92210-0176	NUT,12MM	1	1	1	1	1	
92210A	92210-1374	NUT,14MM	1	1	1	1	1	
510	510A3200	KEY-WOODRUFF	1	1	1	1	1	

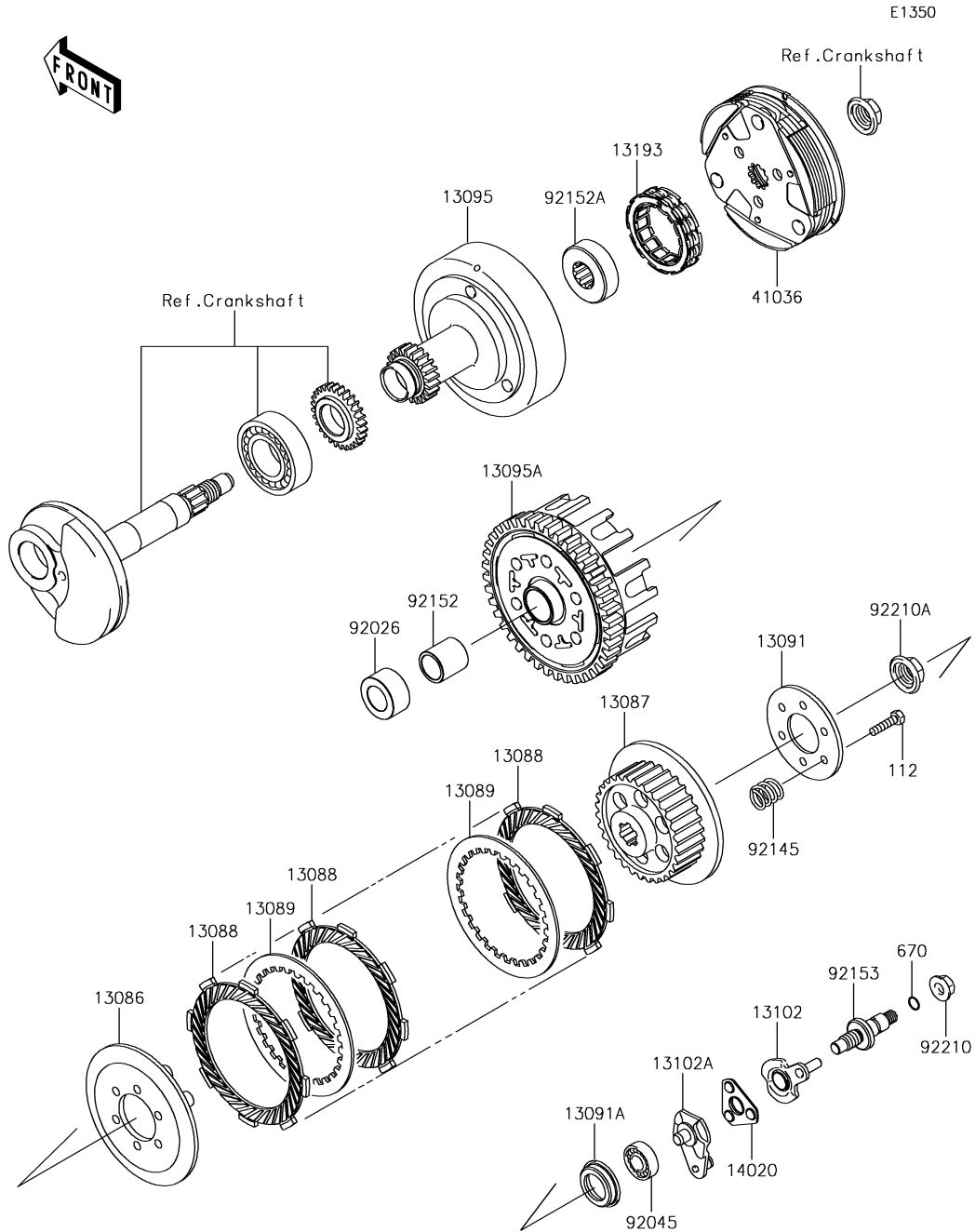


E1340



## 8. Kickstarter Mechanism

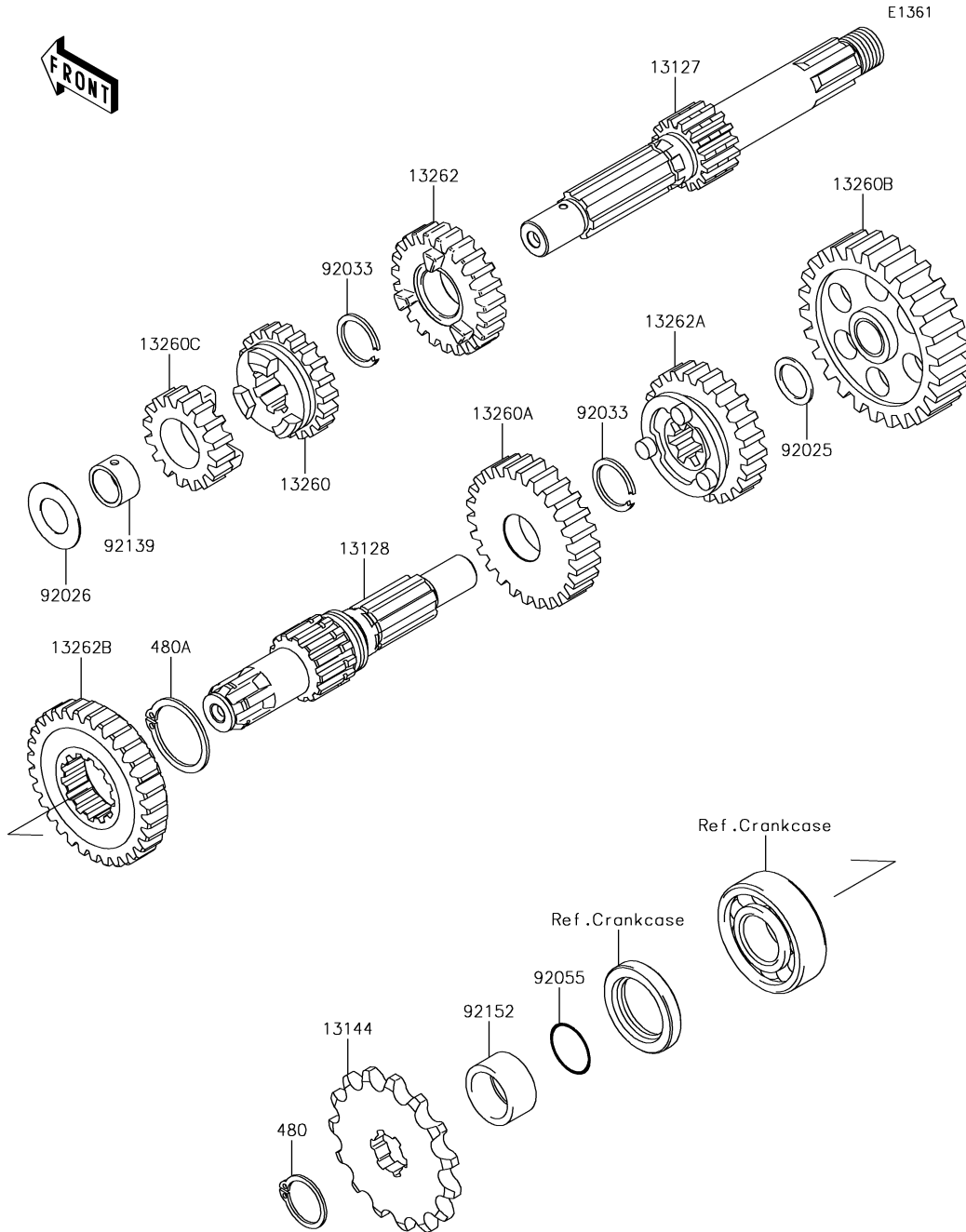
Ref. No.	Part No.	Description	Spec Code	Quantity				
				'15	'16	'17	'18	'19
				CFF	GGF	CHF	CJF	CKF
13059	13059-0046	LEVER-KICK	1	1	1	1	1	
13066	13066-0062	SHAFT-KICK	1	1	1	1	1	
13070	13070-1035	GUIDE,KICK SHAFT	1	1	1	1	1	
13078	13078-0557	RATCHET	1	1	1	1	1	
13206	13206-1006	GUIDE-KICK	1	1	1	1	1	
59051	59051-0715	GEAR-SPUR	1	1	1	1	1	
92009	92009-1104	SCREW,TAPPING	2	2	2	2	2	
92022	92022-315	WASHER,16.8X22X0.5	1	1	1	1	1	
92081	92081-122	SPRING,RATCHET	1	1	1	1	1	
92145	92145-0626	SPRING,KICK STARTER	1	1	1	1	1	
92200	92200-0571	WASHER,13.2X20X0.5	1	1	1	1	1	
130	130CA0622	BOLT-FLANGED,6X22	1	1	1	1	1	
480	480J1600	CIRCLIP-TYPE-C,16MM	4	4	4	4	4	



## 9. Clutch

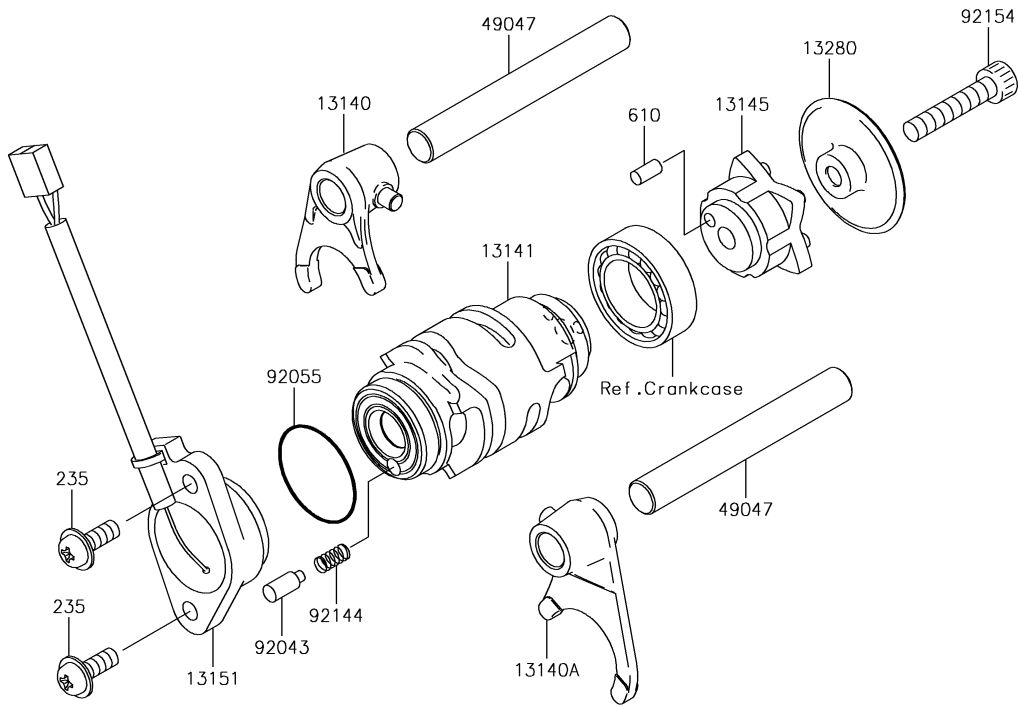
Ref. No.	Part No.	Description	Spec Code	Quantity				
				'15	'16	'17	'18	'19
				CFF	GGF	CHF	CJF	CKF
13086	13086-1065	WHEEL-CLUTCH	1	1	1	1	1	
13087	13087-1151	HUB-CLUTCH	1	1	1	1	1	
13088	13088-1142	PLATE-FRICTION	5	5	5	5	5	
13089	13089-1087	PLATE-CLUTCH	4	4	4	4	4	
13091	13091-1782	HOLDER,CLUTCH	1	1	1	1	1	
13091A	13091-1787	HOLDER	1	1	1	1	1	
13095	13095-0128	HOUSING-COMP-CLUTCH	1	1	1	1	1	
13095A	13095-1403	HOUSING-COMP-CLUTCH	1	1	1	1	1	
13102	13102-1135	RELEASE-COMP-CLUTCH	1	1	1	1	1	
13102A	13102-1136	RELEASE-COMP-CLUTCH	1	1	1	1	1	
13193	13193-0008	CLUTCH-ASSY-ONEWAY	1	1	1	1	1	
14020	14020-1100	RETAINER	1	1	1	1	1	
41036	41036-0261	HUB-ASSY,CLUTCH	1	1	1	1	1	
92026	92026-1605	SPACER	1	1	1	1	1	
92045	92045-1123	BEARING-BALL,#628	1	1	1	1	1	
92145	92145-0744	SPRING	6	6	6	6	6	
92152	92152-0393	COLLAR,17X22X22.7	1	1	1	1	1	
92152A	92152-1370	COLLAR,19X39.9X13	1	1	1	1	1	
92153	92153-0525	BOLT,CLUTCH RELEASE	1	1	1	1	1	
92210	92210-0004	NUT,FLANGED,8MM	1	1	1	1	1	
92210A	92210-1374	NUT,14MM	1	1	1	1	1	
112	112BA0520	BOLT-UPSET,5X20	6	6	6	6	6	
670	670B1508	O RING,8MM	1	1	1	1	1	

10. Transmission



Ref. No.	Part No.	Description	Spec Code	Quantity				
				'15	'16	'17	'18	'19
				CFF	GGF	CHF	CJF	CKF
13127	13127-0661	SHAFT-TRANSMISSION INPUT,12T	1	1	1	1	1	
13128	13128-0672	SHAFT-TRANSMISSION OUTPUT	1	1	1	1	1	
13144	13144-1043	SPROCKET-OUTPUT,13T	1	1	1	1	1	
13260	13260-1839	GEAR,INPUT 3RD,20T	1	1	1	1	1	
13260A	13260-1842	GEAR,OUTPUT 3RD,27T	1	1	1	1	1	
13260B	13260-1862	GEAR,OUTPUT LOW,36T	1	1	1	1	1	
13260C	13260-1986	GEAR,INPUT 2ND,16T	1	1	1	1	1	
13262	13262-0666	GEAR,INPUT 4TH,23T	1	1	1	1	1	
13262A	13262-0667	GEAR,OUTPUT 4TH,25T	1	1	1	1	1	
13262B	13262-0913	GEAR,OUTPUT 2ND,31T	1	1	1	1	1	
92025	92025-1280	SHIM	1	1	1	1	1	
92026	92026-1091	SPACER	1	1	1	1	1	
92033	92033-1060	RING-SNAP,17MM	2	2	2	2	2	
92055	92055-1235	RING-O,16.8MM	1	1	1	1	1	
92139	92139-1102	BUSHING	1	1	1	1	1	
92152	92152-0998	COLLAR,SPROCKET	1	1	1	1	1	
480	480J1700	CIRCLIP-TYPE-C,17MM	1	1	1	1	1	
480A	480J2400	CIRCLIP-TYPE-C,24MM	1	1	1	1	1	

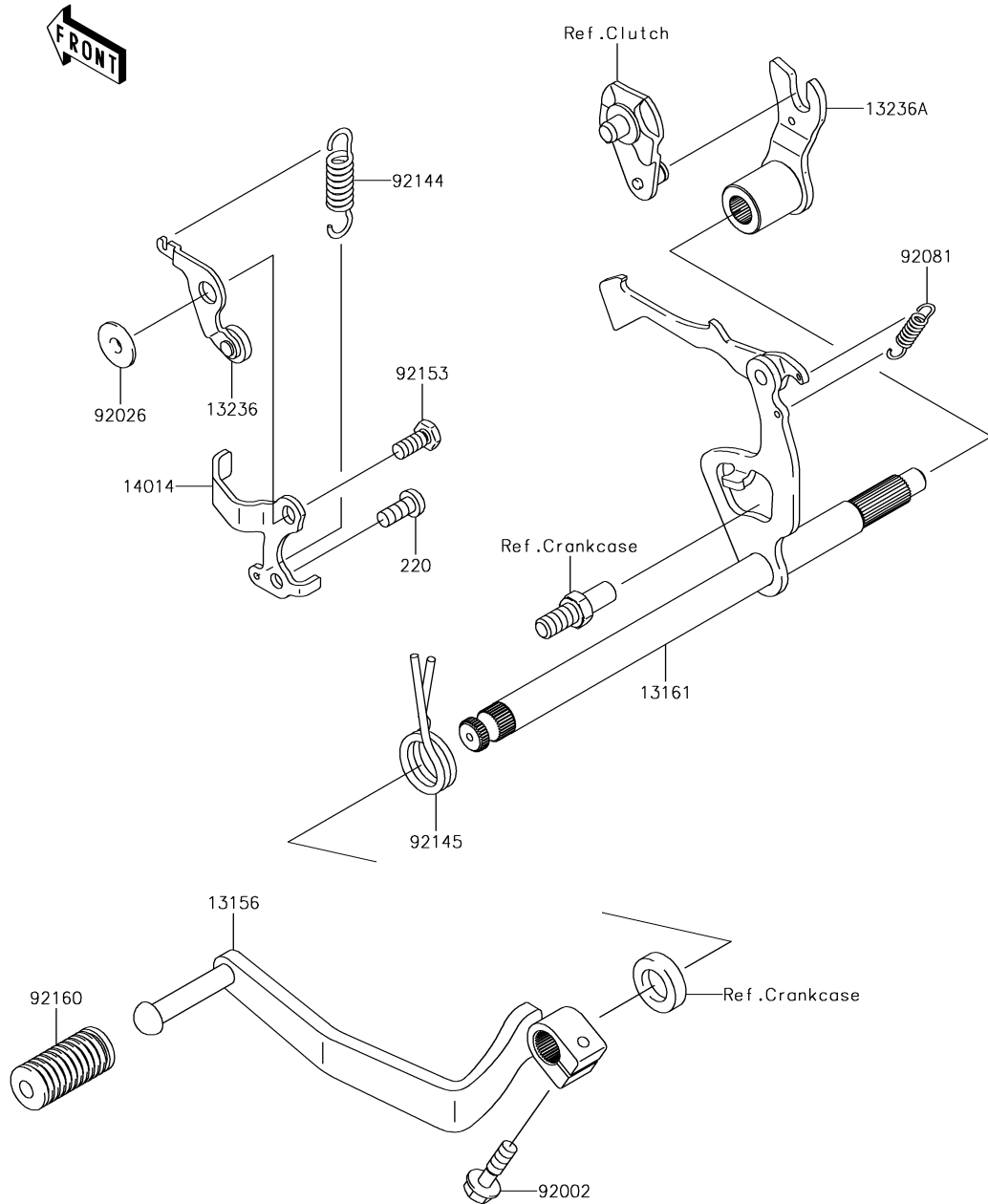
E1362



## 11. Gear Change Drum/Shift Fork(s)

Ref. No.	Part No.	Description	Spec Code	Quantity				
				'15	'16	'17	'18	'19
				CFF	GGF	CHF	CJF	CKF
13140	13140-0036	FORK-SHIFT	1	1	1	1	1	
13140A	13140-0037	FORK-SHIFT	1	1	1	1	1	
13141	13141-0055	DRUM-CHANGE	1	1	1	1	1	
13145	13145-0049	CAM-CHANGE DRUM	1	1	1	1	1	
13151	13151-0050	SWITCH-COMP	1	1	1	1	1	
13280	13280-1228	HOLDER	1	1	1	1	1	
49047	49047-1058	ROD-SHIFT	2	2	2	2	2	
92043	92043-1385	PIN	1	1	1	1	1	
92055	92055-091	RING-O,27.7X2.4	1	1	1	1	1	
92144	92144-1245	SPRING	1	1	1	1	1	
92154	92154-0388	BOLT, SOCKET, 6X30	1	1	1	1	1	
235	235AA0514	SCREW-PAN-WP-CROS, 5X14	2	2	2	2	2	
610	610A0408	ROLLER, 4X8	1	1	1	1	1	

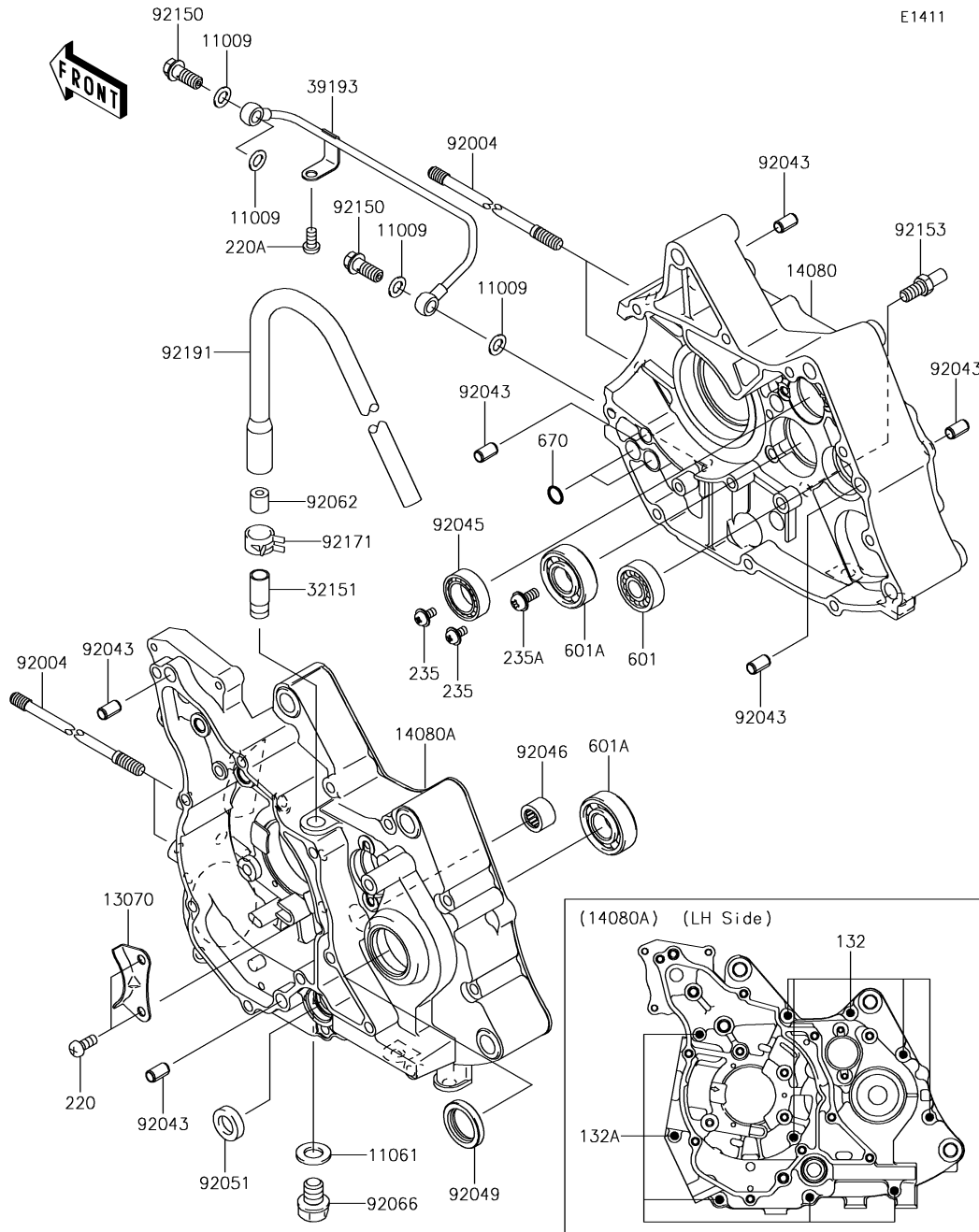
E1370



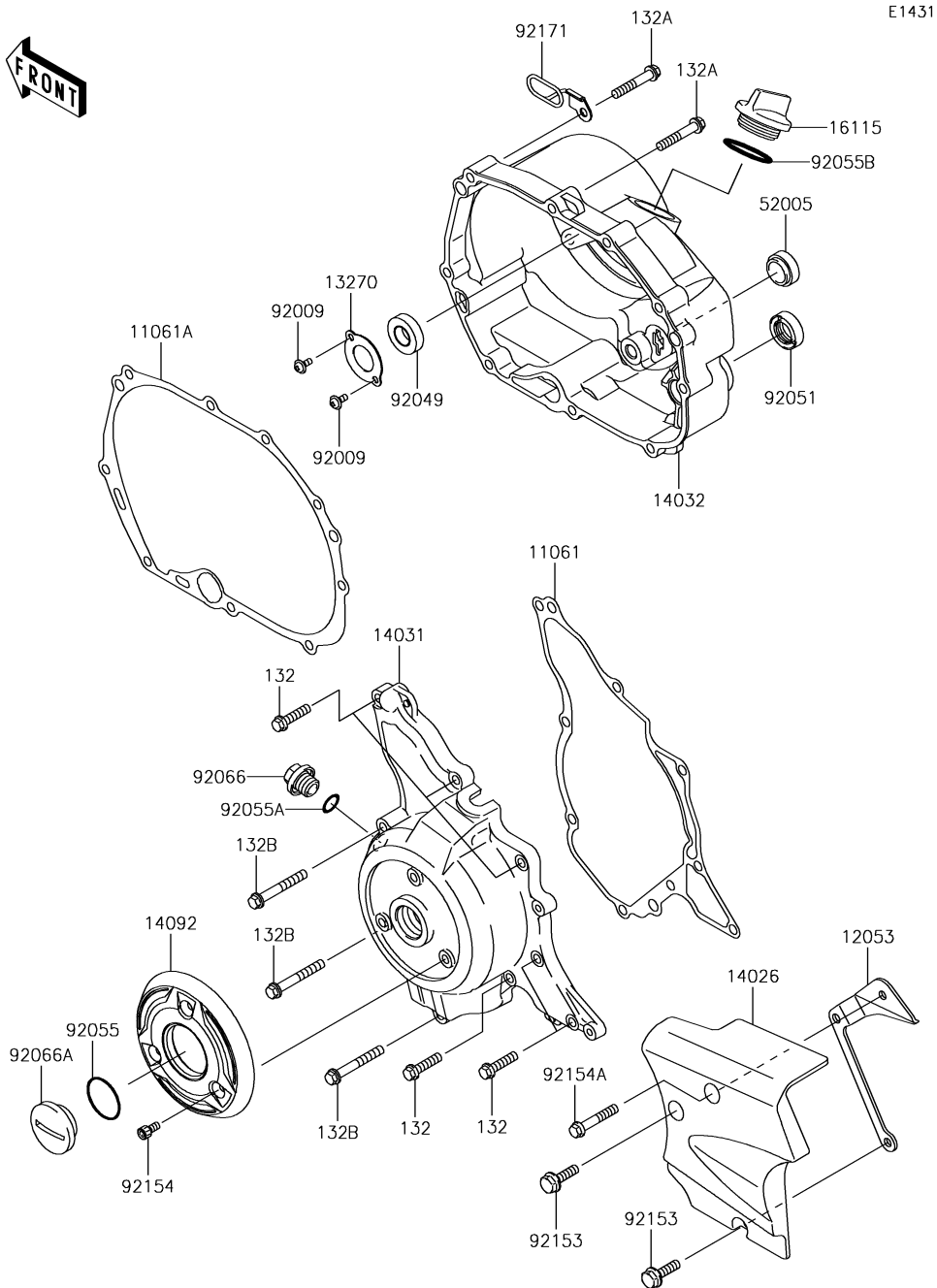
## 12. Gear Change Mechanism

Ref. No.	Part No.	Description	Spec Code	Quantity				
				'15	'16	'17	'18	'19
				CFF	GGF	CHF	CJF	CKF
13156	13156-0144	LEVER-CHANGE	1	1	1	1	1	
13161	13161-0019	LEVER-COMP-CHANGE SHAFT	1	1	1	1	1	
13236	13236-1256	LEVER-COMP,POSITION	1	1	1	1	1	
13236A	13236-1288	LEVER-COMP	1	1	1	1	1	
14014	14014-0037	PLATE-POSITION	1	1	1	1	1	
92002	92002-1237	BOLT,6X20	1	1	1	1	1	
92026	92026-1217	SPACER	1	1	1	1	1	
92081	92081-076	SPRING,CHANGE LEVER	1	1	1	1	1	
92144	92144-1590	SPRING	1	1	1	1	1	
92145	92145-0757	SPRING	1	1	1	1	1	
92153	92153-0571	BOLT,6X14	1	1	1	1	1	
92160	92160-1036	DAMPER,CHANGE PEDAL	1	1	1	1	1	
220	220AA0614	SCREW-PAN-CROS,6X14	1	1	1	1	1	

13. Crankcase

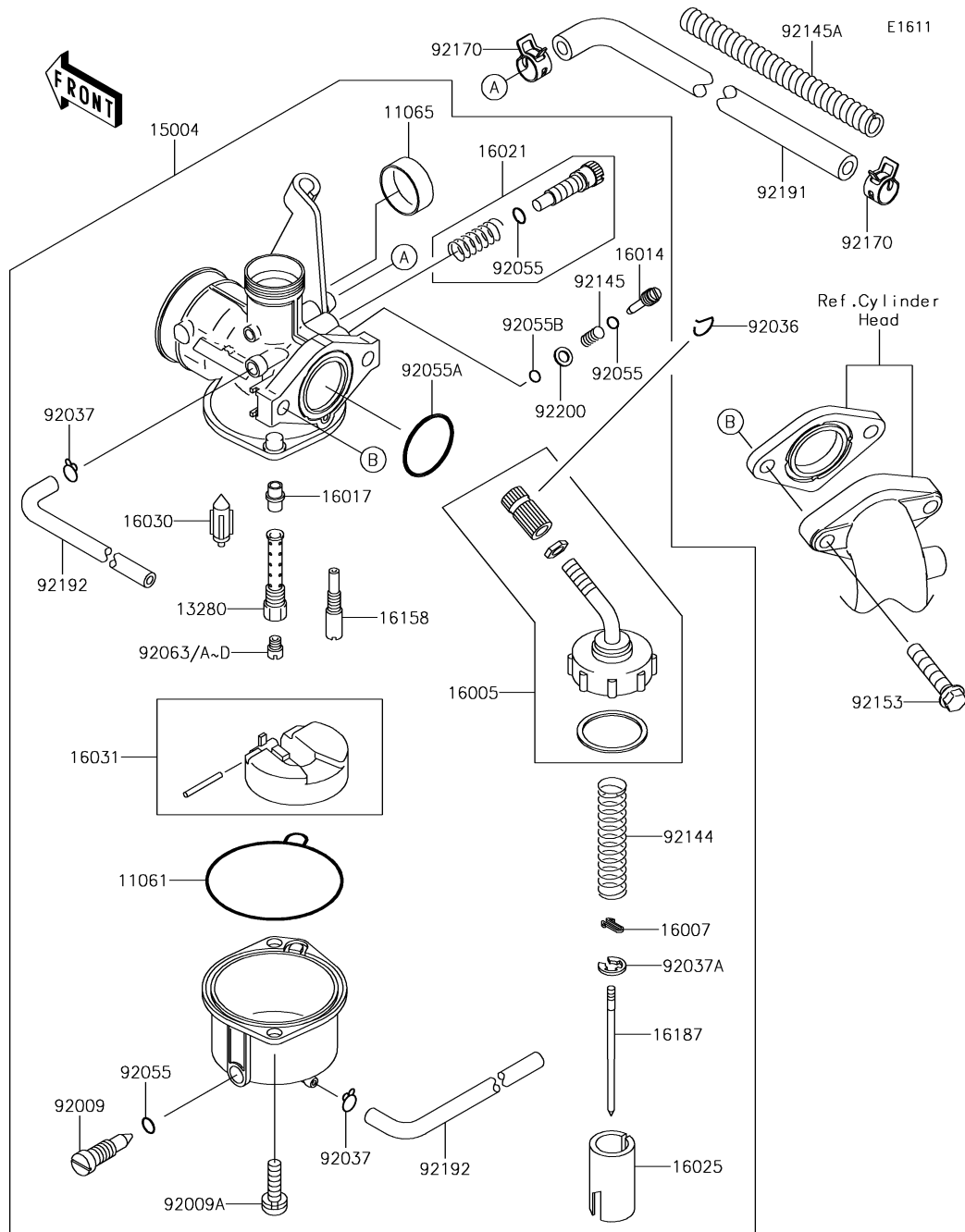


Ref. No.	Part No.	Description	Spec Code	Quantity				
				'15	'16	'17	'18	'19
				CFF	GGF	CHF	CJF	CKF
11009	11009-1344	GASKET,8.2X14X1.0	4	4	4	4	4	
11061	11061-0265	GASKET,DRAIN PLUG	1	1	1	1	1	
13070	13070-1319	GUIDE	1	1	1	1	1	
14080	14080-0080	CRANKCASE,RH	1	1	1	1	1	
14080A	14080-0705	CRANKCASE,LH	1	1	1	1	1	
32151	32151-1961	PIPE	1	1	1	1	1	
39193	39193-1042	PIPE-OIL	1	1	1	1	1	
92004	92004-0030	STUD,8X192	4	4	4	4	4	
92043	92043-0099	PIN,6.2X8X14	6	6	6	6	6	
92045	92045-1171	BEARING-BALL,6804	1	1	1	1	1	
92046	92046-1148	BEARING-NEEDLE,HK1312	1	1	1	1	1	
92049	92049-1429	SEAL-OIL	1	1	1	1	1	
92051	92051-005	SEAL-OIL,TB13225.5	1	1	1	1	1	
92062	92062-1090	NOZZLE,5X11.5X12	1	1	1	1	1	
92066	92066-0768	PLUG,OIL DRAIN,12X15	1	1	1	1	1	
92150	92150-1556	BOLT,BANJO,8X20	2	2	2	2	2	
92153	92153-1823	BOLT,8X15.5	1	1	1	1	1	
92171	92171-1055	CLAMP	1	1	1	1	1	
92191	92191-1724	TUBE,BREATHER	1	1	1	1	1	
132	132BD0650	BOLT-FLANGED-SMALL,6X75	5	5	5	5	5	
132A	132BD0675	BOLT-FLANGED-SMALL,6X75	5	5	5	5	5	
220	220AA0614	SCREW-PAN-CROS,6X14	2	2	2	2	2	
220A	220AD0612	SCREW-PAN-CROS,6X12	1	1	1	1	1	
235	235AA0510	SCREW-PAN-WP-CROS,5X10	2	2	2	2	2	
235A	235AA0614	SCREW-PAN-WP-CROS,6X14	1	1	1	1	1	
601	601A6201	BEARING-BALL	1	1	1	1	1	
601A	601A6203	BEARING-BALL,#6203	2	2	2	2	2	
670	670B1510	O RING,9.8X1.9	2	2	2	2	2	



Ref. No.	Part No.	Description	Spec Code	Quantity				
				'15	'16	'17	'18	'19
				CFF	GGF	CHF	CJF	CKF
11061	11061-0257	GASKET,GENERATOR COVER	1	1	1	1	1	
11061A	11061-0426	GASKET,CLUTCH COVER	1	1	1	1	1	
12053	12053-0164	GUIDE-CHAIN	1	1	1	1	1	
13270	13270-1800	PLATE	1	1	1	1	1	
14026	14026-0070	COVER-CHAIN	1	1	1	1	1	
14031	14031-0119-GS	COVER-GENERATOR,SILVER	1	1	1	1	1	
14032	14032-0129	COVER-CLUTCH	1	1	1	1	1	
14092	14092-0029	COVER	1	1	1	1	1	
16115	16115-1068	CAP-OIL FILLER	1	1	1	1	1	
52005	52005-0019	GAUGE,OIL LEVEL	1	1	1	1	1	
92009	92009-1745	SCREW	2	2	2	2	2	
92049	92049-0051	SEAL-OIL,S 12 28 7 HS	1	1	1	1	1	
92051	92051-003	SEAL-OIL,TB16267	1	1	1	1	1	
92055	92055-0154	RING-O,25.7X2.4	1	1	1	1	1	
92055A	92055-0194	RING-O,14.8X2.4	1	1	1	1	1	
92055B	92055-049	RING-O,31.5X2.6	1	1	1	1	1	
92066	92066-0724	PLUG,14X10	1	1	1	1	1	
92066A	92066-1565	PLUG,GENERATOR COVER CAP	1	1	1	1	1	
92153	92153-1184	BOLT,6X20	2	2	2	2	2	
92154	92154-0789	BOLT,SOCKET,5X10	3	3	3	3	3	
92154A	92154-1297	BOLT,FLANGED,6X35	1	1	1	1	1	
92171	92171-1124	CLAMP,DRAIN TUBE	1	1	1	1	1	
132	132BD0625	BOLT-FLANGED-SMALL,6X25	6	6	6	6	6	
132A	132BD0635	BOLT-FLANGED-SMALL,6X35	9	9	9	9	9	
132B	132BD0645	BOLT-FLANGED-SMALL,6X45	3	3	3	3	3	

# '15-'19 KLX110 CFF/CGF/CHF/CJF/CKF

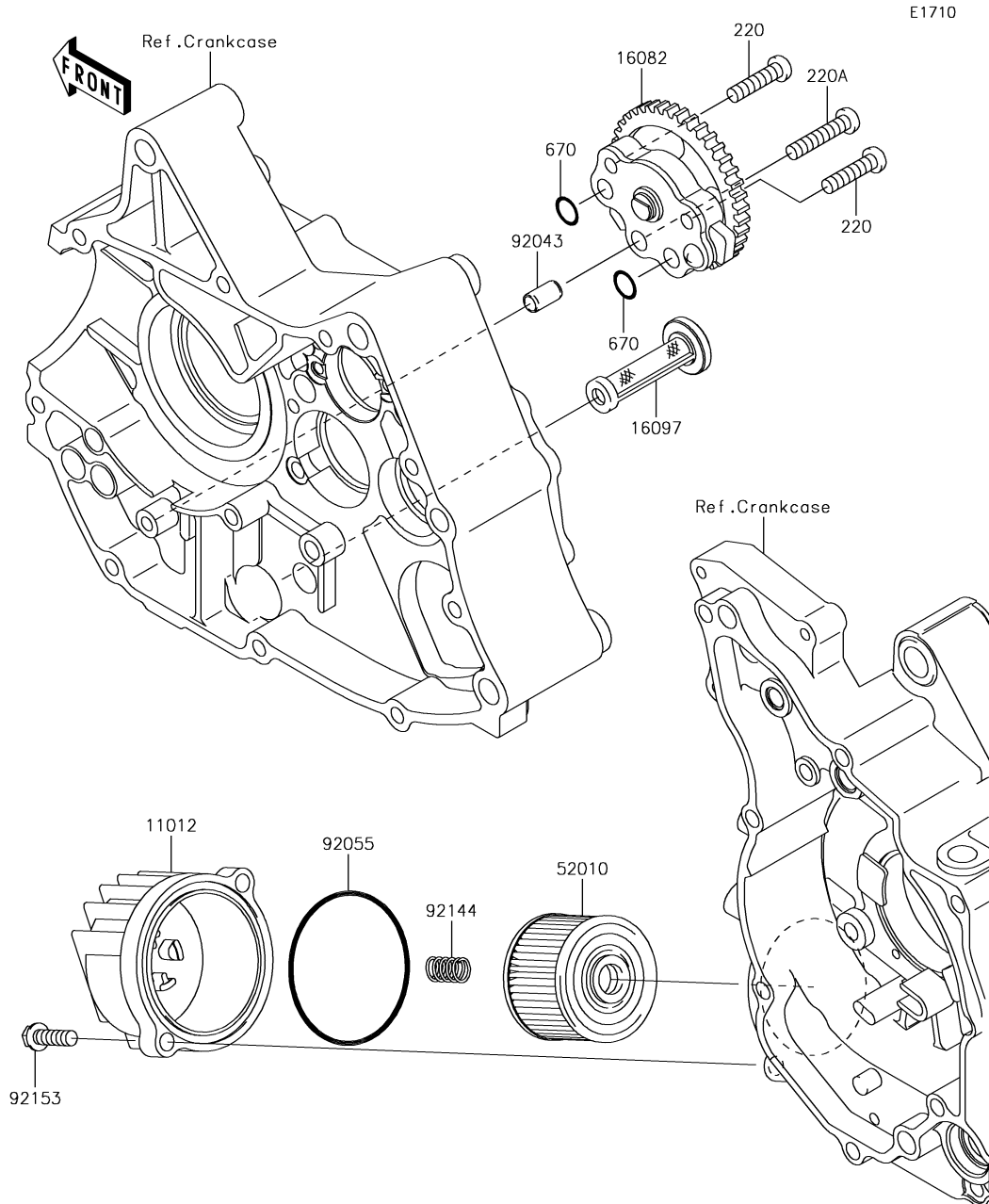


## 15. Carburetor

Ref. No.	Part No.	Description	Spec Code	Quantity				
				'15	'16	'17	'18	'19
				CFF	GGF	CHF	CJF	CKF
11061	11061-0874	GASKET,FLOAT CHAMBER	1	1	1	1	1	
11065	11065-0811	CAP,CHOKE	1	1	1	1	1	
13280	13280-0359	HOLDER,NEEDLE JET	1	1	1	1	1	
15004	15004-0066	CARBURETOR-ASSY,PB18	1	1	1	1	1	
16005	16005-1091	TOP-CHAMBER	1	1	1	1	1	
16007	16007-1103	SEAT-SPRING	1	1	1	1	1	
16014	16014-0013	SCREW-PILOT AIR	1	1	1	1	1	
16017	16017-0018	JET-NEEDLE	1	1	1	1	1	
16021	16021-1241	SCREW-THROTTLE STOP	1	1	1	1	1	
16025	16025-1209	VALVE-THROTTLE,CA3.0	1	1	1	1	1	
16030	16030-0009	VALVE-FLOAT,FLOAT	1	1	1	1	1	
16031	16031-1088	FLOAT	1	1	1	1	1	
16158	16158-0005	JET-SLOW,#40	1	1	1	1	1	
16187	16187-1228	NEEDLE-JET,NCFA	1	1	1	1	1	
92009	92009-1057	SCREW,DRAIN	1	1	1	1	1	
92009A	92009-1750	SCREW	2	2	2	2	2	
92036	92036-018	RING-SNAP	1	1	1	1	1	
92037	92037-1142	CLAMP,TUBE	2	2	2	2	2	
92037A	92037-1401	CLAMP,JET NEEDLE	1	1	1	1	1	
92055	92055-1053	RING-O	3	3	3	3	3	
92055A	92055-1541	RING-O	1	1	1	1	1	
92055B	92055-1542	RING-O	1	1	1	1	1	
92063	92063-1393	JET-MAIN,#78	1	1	1	1	1	
92063A	92063-1394	JET-MAIN,#72 (OPTION)	AR	AR	AR	AR	AR	
92063B	92063-1395	JET-MAIN,#75 (OPTION)	AR	AR	AR	AR	AR	
92063C	92063-1396	JET-MAIN,#80 (OPTION)	AR	AR	AR	AR	AR	
92063D	92063-1397	JET-MAIN,#82 (OPTION)	AR	AR	AR	AR	AR	
92144	92144-1875	SPRING,THROTTLE	1	1	1	1	1	
92145	92145-0961	SPRING	1	1	1	1	1	
92145A	92145-1481	SPRING,HOSE PROTECTOR	1	1	1	1	1	
92153	92153-1309	BOLT,FLANGED-SMALL,6X28	2	2	2	2	2	
92170	92170-1872	CLAMP	2	2	2	2	2	
92191	92191-1700	TUBE,FUEL	1	1	1	1	1	
92192	92192-1269	TUBE,3.5X6.5X418	2	2	2	2	2	
92200	92200-0879	WASHER	1	1	1	1	1	



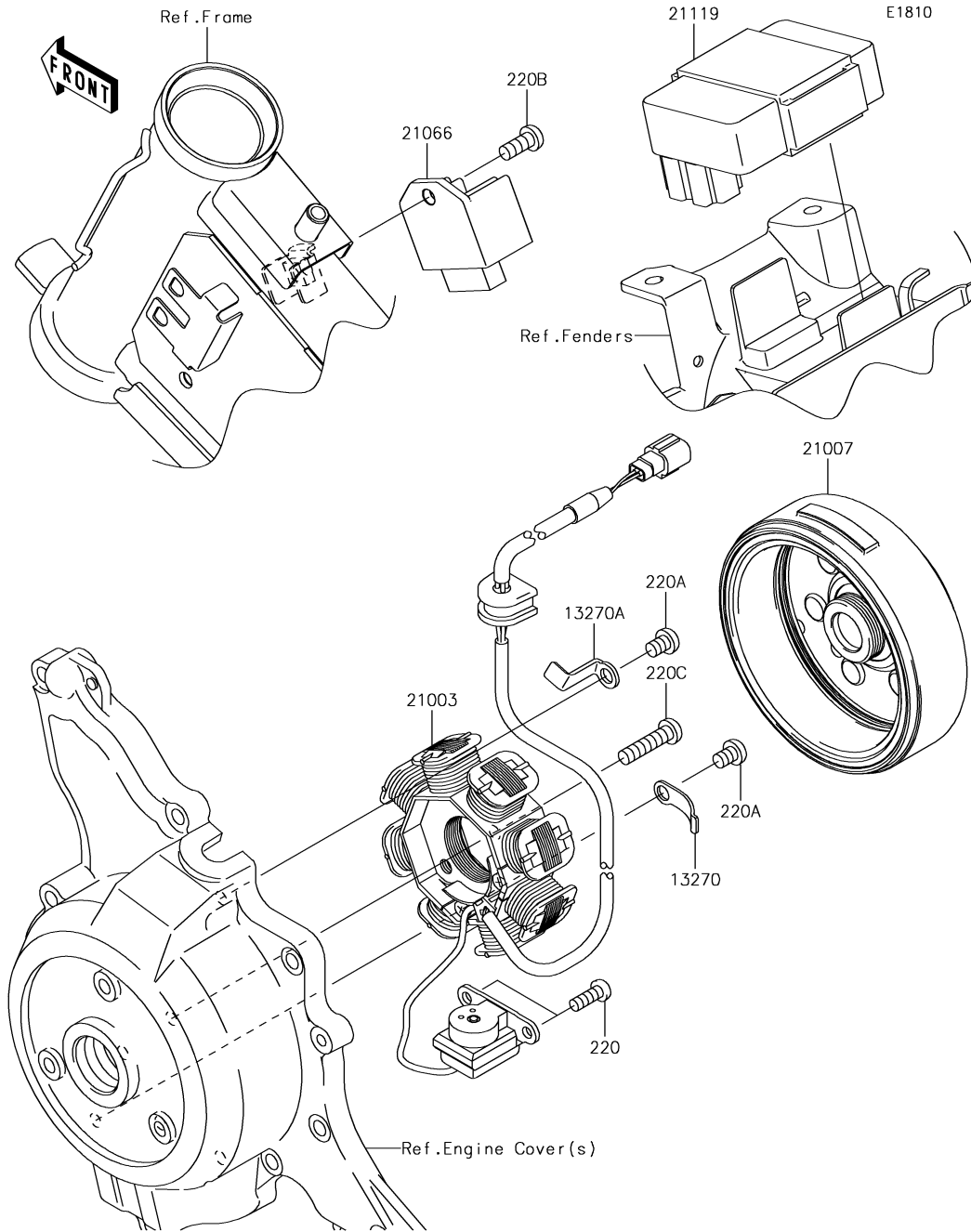
# '15-'19 KLX110 CFF/CGF/CHF/CJF/CKF



## 16. Oil Pump

Ref. No.	Part No.	Description	Spec Code	Quantity				
				'15	'16	'17	'18	'19
				CFF	CGF	CHF	CJF	CKF
11012	11012-1980	CAP	1	1	1	1	1	
16082	16082-0010	PUMP-ASSY-OIL	1	1	1	1	1	
16097	16097-1071	FILTER-ASSY-OIL	1	1	1	1	1	
52010	52010-1053	ELEMENT-OIL FILTER	1	1	1	1	1	
92043	92043-0099	PIN,6.2X8X14	1	1	1	1	1	
92055	92055-3018	RING-O,59.6X2.4	1	1	1	1	1	
92144	92144-1892	SPRING	1	1	1	1	1	
92153	92153-1184	BOLT,6X20	2	2	2	2	2	
220	220AA0625	SCREW-PAN-CROS,6X25	2	2	2	2	2	
220A	220AA0630	SCREW-PAN-CROS,6X30	1	1	1	1	1	
670	670B1510	O RING,9.8X1.9	2	2	2	2	2	

# '15-'19 KLX110 CFF/CGF/CHF/CJF/CKF

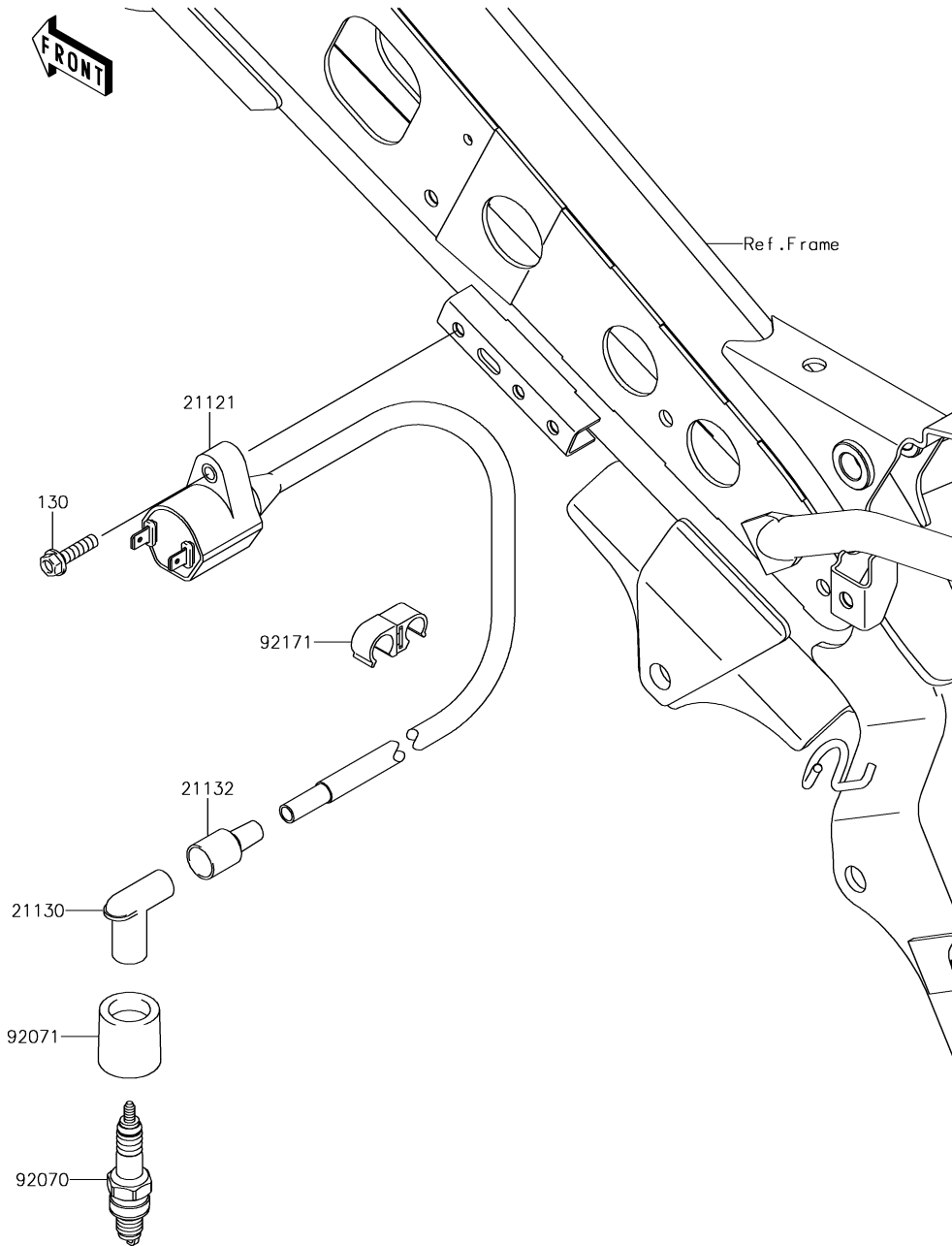


## 17. Generator

Ref. No.	Part No.	Description	Spec Code	Quantity				
				'15	'16	'17	'18	'19
				CFF	GGF	CHF	CJF	CKF
13270	13270-1754	PLATE	1	1	1	1	1	
13270A	13270-1961	PLATE	1	1	1	1	1	
21003	21003-0097	STATOR	1	1	1	1	1	
21007	21007-0137	ROTOR	1	1	1	1	1	
21066	21066-0046	REGULATOR-VOLTAGE	1	1	1	1	1	
21119	21119-0101	IGNITER	1	1	1	1	1	
220	220AA0514	SCREW-PAN-CROS,5X14	2	2	2	2	2	
220A	220AA0608	SCREW-PAN-CROS,6X8	2	2	2	2	2	
220B	220AA0614	SCREW-PAN-CROS,6X14	1	1	1	1	1	
220C	220AA0625	SCREW-PAN-CROS,6X25	2	2	2	2	2	

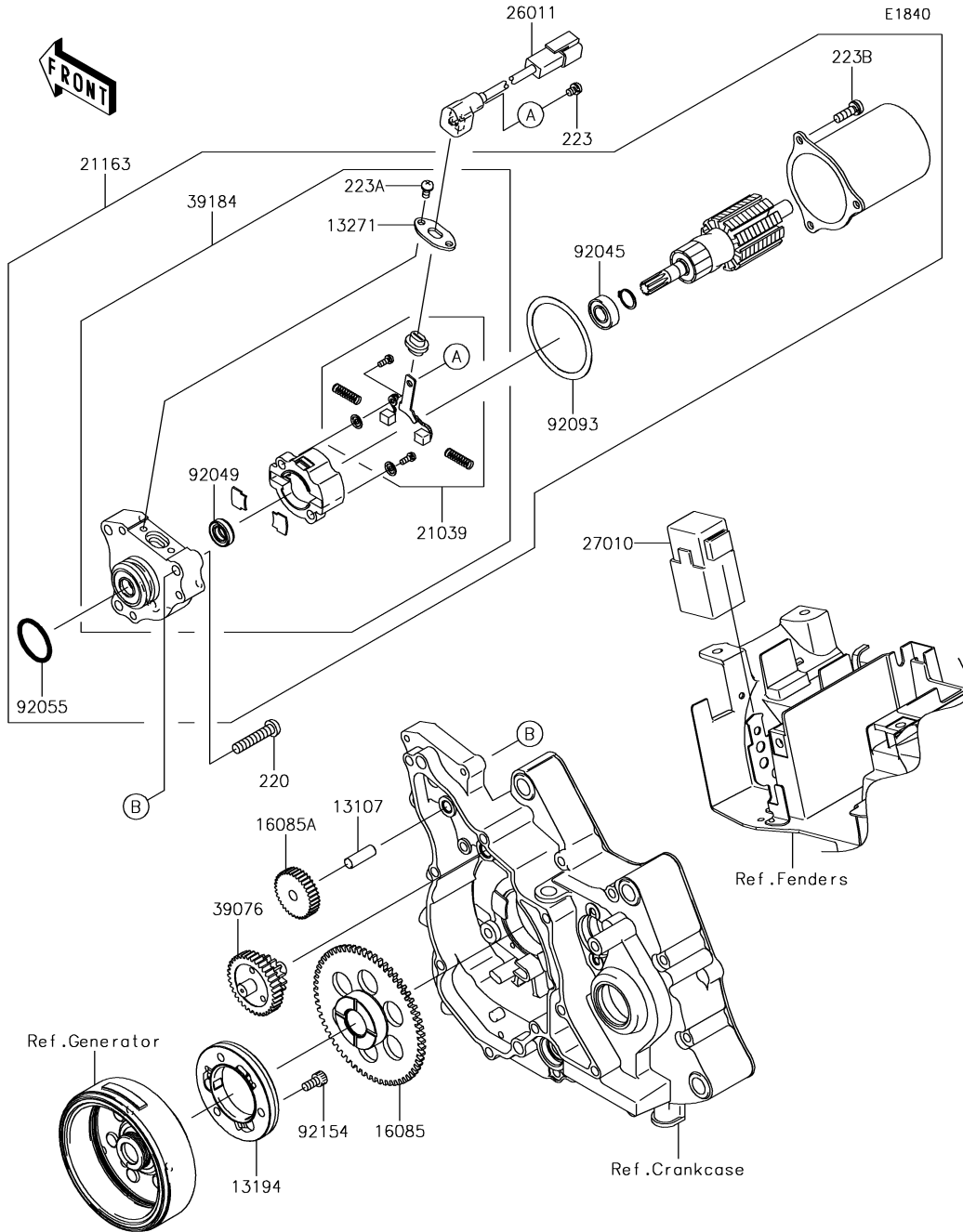
# '15-'19 K LX110 CFF/CGF/CHF/CJF/CKF

E1830



## 18. Ignition System

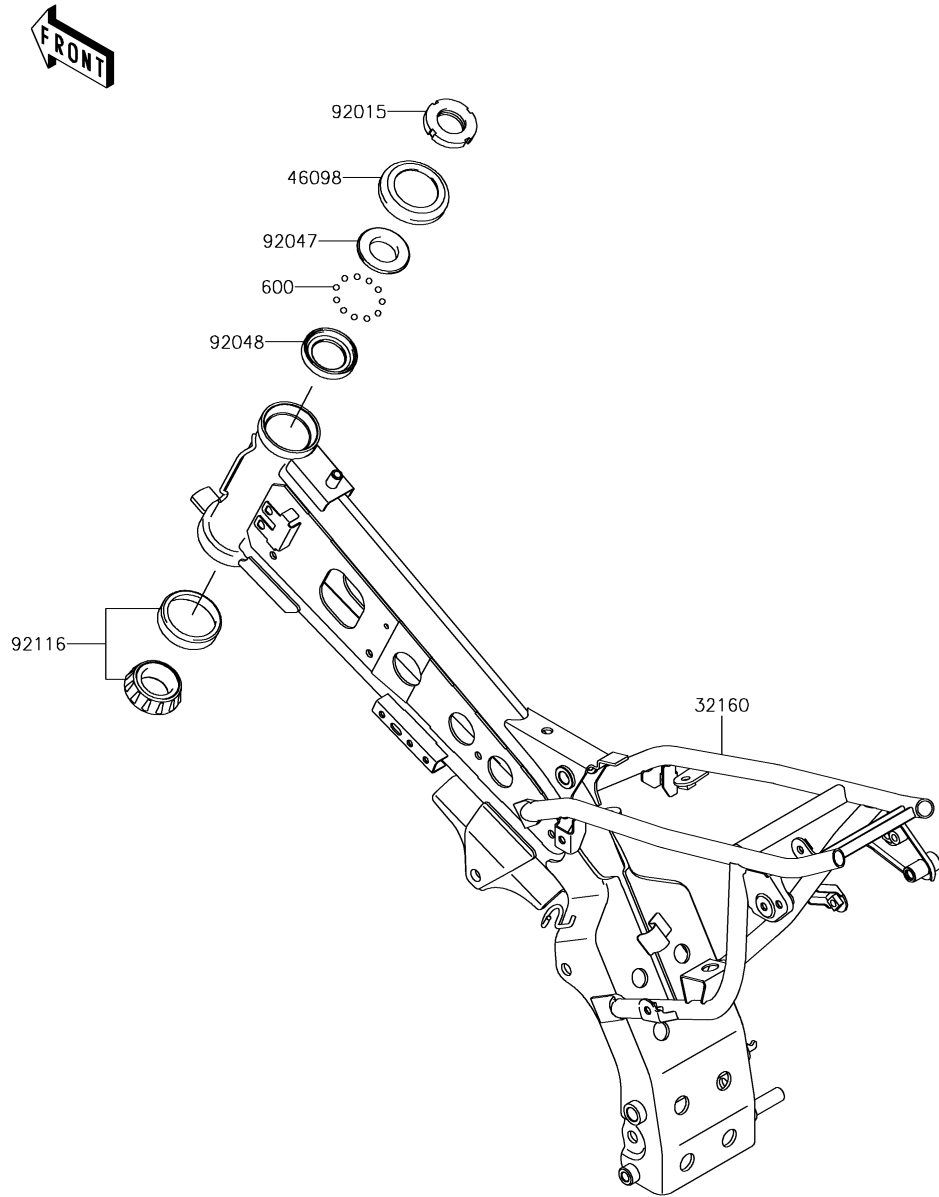
Ref. No.	Part No.	Description	Spec Code	Quantity				
				'15	'16	'17	'18	'19
				CFF	GGF	CHF	CJF	CKF
21121	21121-1311	COIL-IGNITION	1	1	1	1	1	
21130	21130-1003	CAP-SPARK PLUG	1	1	1	1	1	
21132	21132-005	GROMMET,HIGH TENSION	1	1	1	1	1	
92070	92070-0023	PLUG-SPARK,CR6HSA(NGK)	1	1	1	1	1	
92071	92071-1184	GROMMET,PLUG CAP	1	1	1	1	1	
92171	92171-1487	CLAMP	1	1	1	1	1	
130	130BA0520	BOLT-FLANGED,5X20	1	1	1	1	1	



## 19. Starter Motor

Ref. No.	Part No.	Description	Spec Code	Quantity				
				'15	'16	'17	'18	'19
				CFF	GGF	CHF	CJF	CKF
13107	13107-1142	SHAFT,8X25	1	1	1	1	1	
13194	13194-0013	CLUTCH-ONEWAY	1	1	1	1	1	
13271	13271-0674	PLATE	1	1	1	1	1	
16085	16085-0136	GEAR	1	1	1	1	1	
16085A	16085-0593	GEAR,IDLE,45T	1	1	1	1	1	
21039	21039-1067	BRUSH,STARTER MOTOR(SET)	1	1	1	1	1	
21163	21163-0049	STARTER-ELECTRIC	1	1	1	1	1	
26011	26011-0249	WIRE-LEAD	1	1	1	1	1	
27010	27010-0085	SWITCH	1	1	1	1	1	
39076	39076-0022	LIMITER	1	1	1	1	1	
39184	39184-0014	BRACKET-ASSY	1	1	1	1	1	
92045	92045-1349	BEARING-BALL,STARTER MOTOR	1	1	1	1	1	
92049	92049-1465	SEAL-OIL,STARTER MOTOR	1	1	1	1	1	
92055	92055-1276	RING-O	1	1	1	1	1	
92093	92093-1079	SEAL,STARTER MOTOR	1	1	1	1	1	
92154	92154-0325	BOLT	3	3	3	3	3	
220	220AD0630	SCREW-PAN-CROS,6X30	3	3	3	3	3	
223	223AA0406	SCREW-PAN-WS-CROS,4X6	1	1	1	1	1	
223A	223AA0408	SCREW-PAN-WS-CROS,4X8	2	2	2	2	2	
223B	223AA0516	SCREW-PAN-WS-CROS,5X16	3	3	3	3	3	

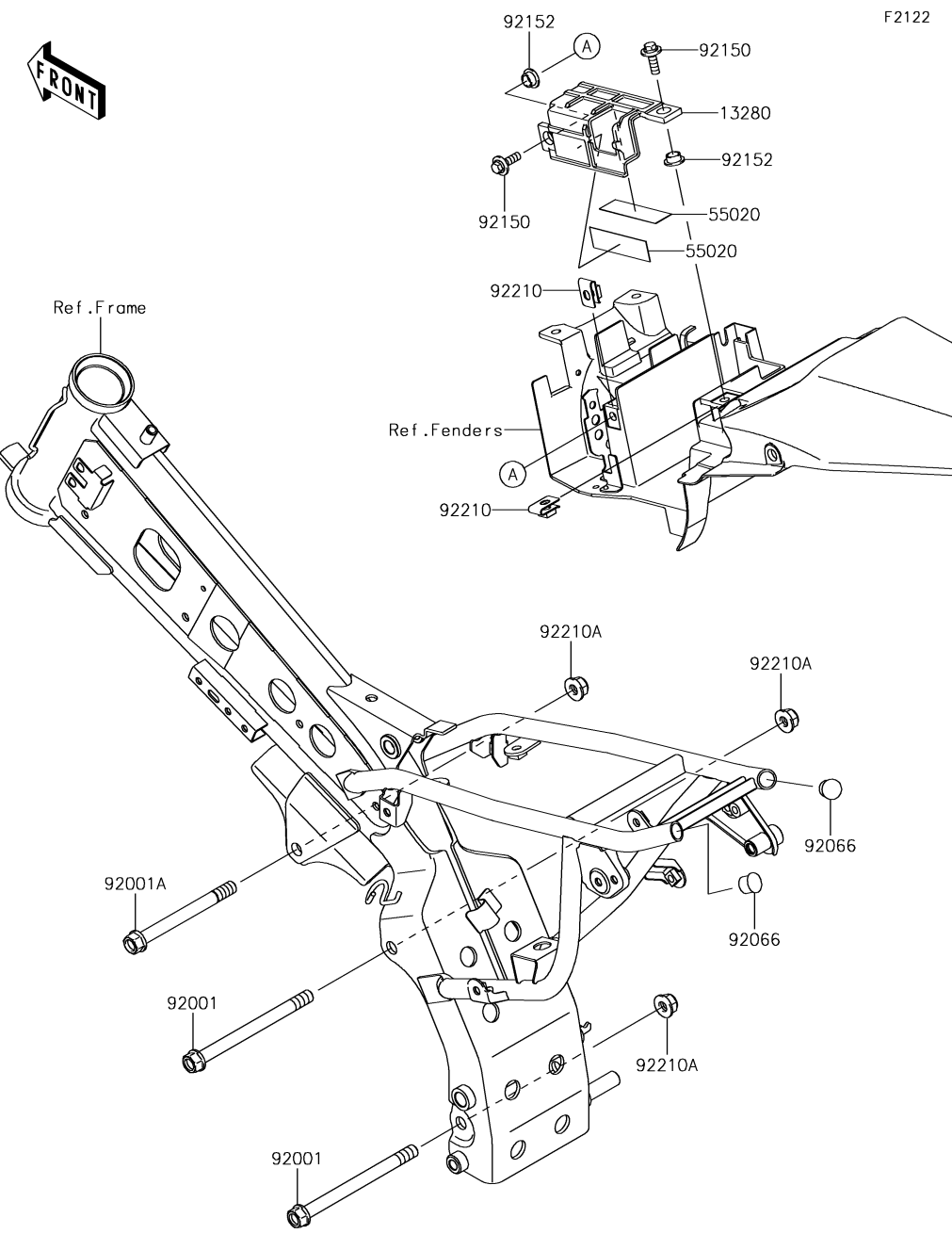
F2120



## 20. Frame

Ref. No.	Part No.	Description	Spec Code	Quantity				
				'15	'16	'17	'18	'19
				CFF	GGF	CHF	CJF	CKF
32160	32160-0501-458	FRAME-COMP,P.SILVER	1	1	1	1	1	
46098	46098-018	CAP,STEERING STEM	1	1	1	1	1	
92015	92015-1222	NUT,STEERING LOCK,25MM	1	1	1	1	1	
92047	92047-014	RACE,STEERING STEM BEARING	1	1	1	1	1	
92048	92048-009	RACE,STEERING STEM BEARING	1	1	1	1	1	
92116	92116-1009	BEARING-ROLLER,HR320/28XJ	1	1	1	1	1	
600	600A0600	BALL-STEEL,3/16	23	23	23	23	23	

# '15-'19 KLX110 CFF/CGF/CHF/CJF/CKF

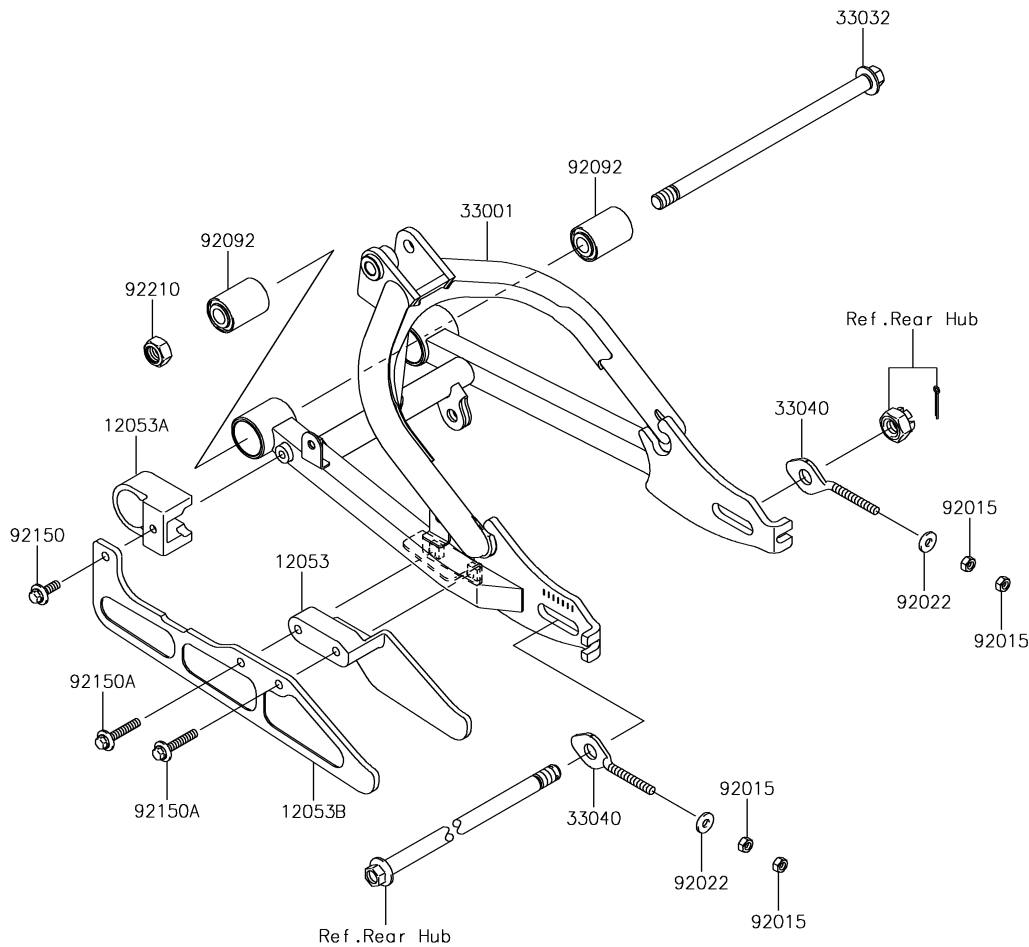


## 21. Engine Mount

Ref. No.	Part No.	Description	Spec Code	Quantity				
				'15	'16	'17	'18	'19
				CFF	GGF	CHF	CJF	CKF
13280	13280-0384	HOLDER,BATTERY	1	1	1	1	1	
55020	55020-0527	GUARD	2	2	2	2	2	
92001	92001-1720	BOLT,FLANGED,10X125	2	2	2	2	2	
92001A	92001-1751	BOLT,FLANGED,10X105,BLACK	1	1	1	1	1	
92066	92066-1081	PLUG	2	2	2	2	2	
92150	92150-1339	BOLT,FLANGED,6X20	2	2	2	2	2	
92152	92152-0789	COLLAR	2	2	2	2	2	
92210	92210-0218	NUT,6MM	2	2	2	2	2	
92210A	92210-1081	NUT,LOCK,FLANGED,10MM	3	3	3	3	3	

# '15-'19 KLX110 CFF/CGF/CHF/CJF/CKF

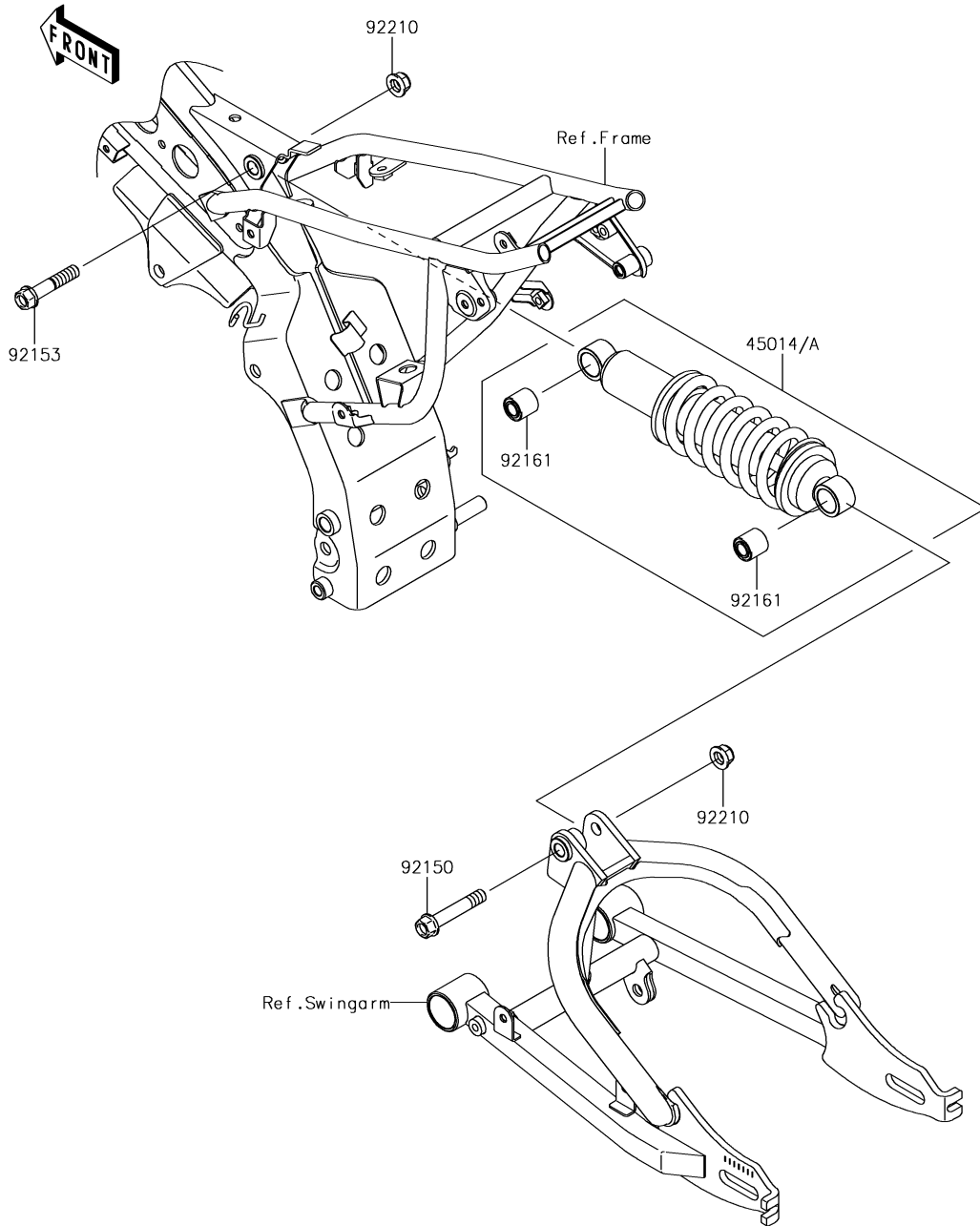
F2141



## 22. Swingarm

Ref. No.	Part No.	Description	Spec Code	Quantity				
				'15	'16	'17	'18	'19
				CFF	GGF	CHF	CJF	CKF
12053	12053-0165	GUIDE-CHAIN,RR,INSIDE	1	1	1	1	1	
12053A	12053-1459	GUIDE-CHAIN,FR	1	1	1	1	1	
12053B	12053-1460	GUIDE-CHAIN,RR,OUTSIDE	1	1	1	1	1	
33001	33001-0200-458	ARM-COMP-SWING,P.SILVER	1	1	1	1	1	
33032	33032-0035	SHAFT-SWING ARM	1	1	1	1	1	
33040	33040-1006	ADJUSTER-CHAIN	2	2	2	2	2	
92015	92015-1391	NUT,6MM	4	4	4	4	4	
92022	92022-1565	WASHER,6.5X16X2	2	2	2	2	2	
92092	92092-1088	BUSHING-RUBBER	2	2	2	2	2	
92150	92150-1339	BOLT,FLANGED,6X20	1	1	1	1	1	
92150A	92150-1527	BOLT,FLANGED,6X35	2	2	2	2	2	
92210	92210-1373	NUT,LOCK,12MM	1	1	1	1	1	

F2151

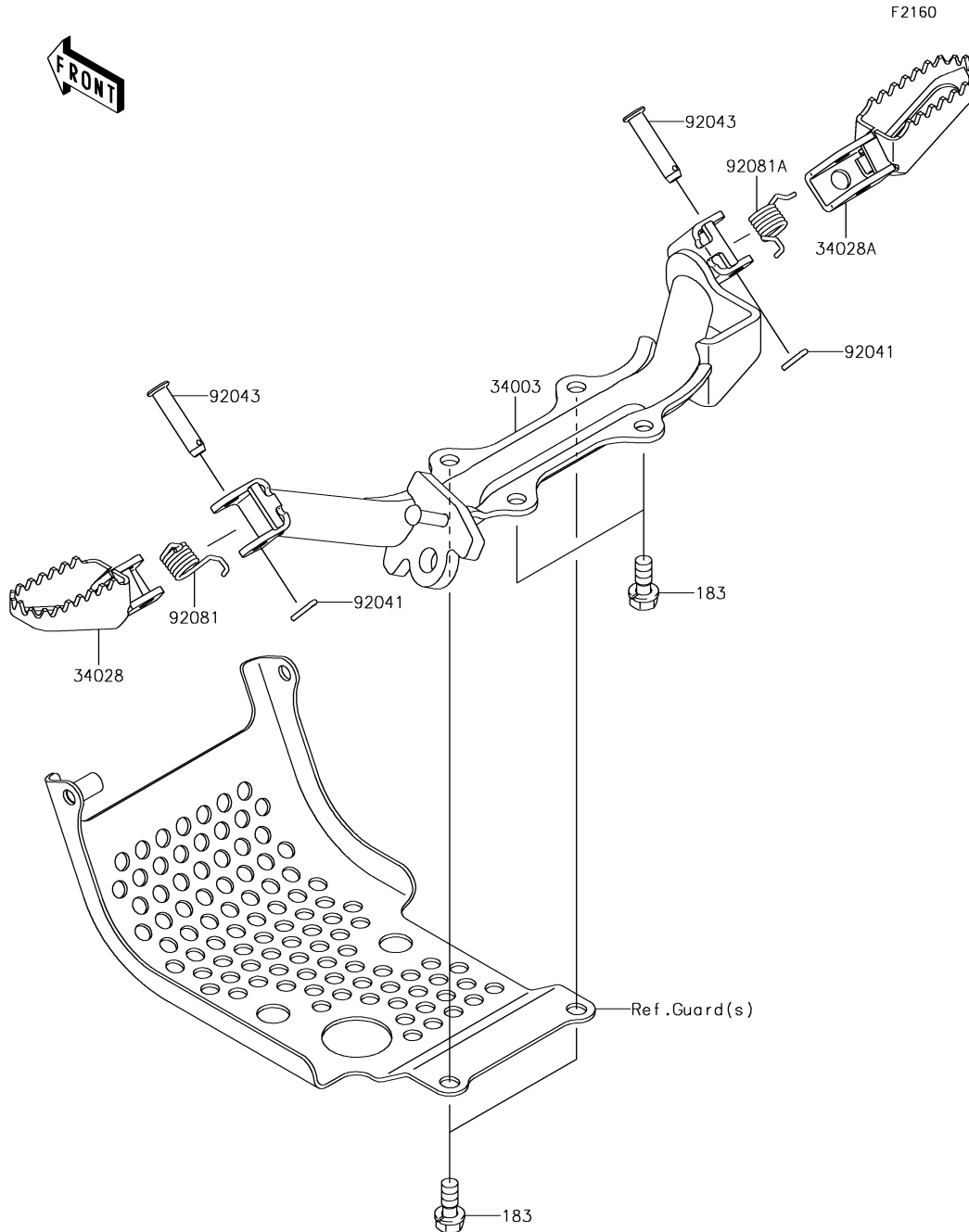


## 23. Suspension/Shock Absorber

Ref. No.	Part No.	Description	Spec Code	Quantity				
				'15	'16	'17	'18	'19
				CFF	GGF	CHF	CJF	CKF
45014	45014-0272-10	SHOCKABSORBER,BLACK			1	1	1	
45014A	45014-0272-710	SHOCKABSORBER,L.GREEN	1	1				
92150	92150-1227	BOLT,FLANGED,10X57	1	1	1	1	1	
92153	92153-1139	BOLT,FLANGED,10X50	1	1	1	1	1	
92161	92161-0100	DAMPER,SHOCKABSORBER	2	2	2	2	2	
92210	92210-1080	NUT,LOCK,FLANGED,10MM	2	2	2	2	2	



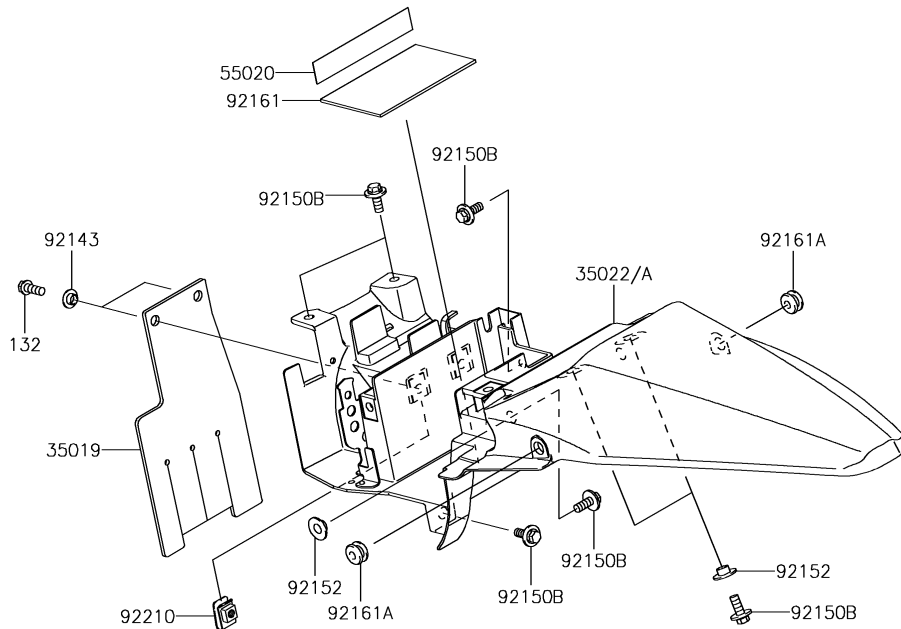
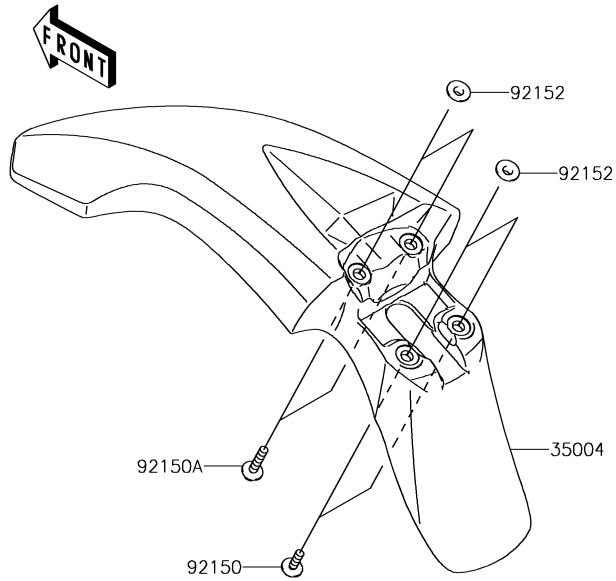
24. Footrests



Ref. No.	Part No.	Description	Spec Code	Quantity				
				'15	'16	'17	'18	'19
				CFF	GGF	CHF	CJF	CKF
34003	34003-0107-458	HOLDER-STEP,P,SILVER		1	1	1	1	1
34028	34028-1237	STEP,LH		1	1	1	1	1
34028A	34028-1238	STEP,RH		1	1	1	1	1
92041	92041-1051	COTTER,2.5X15		2	2	2	2	2
92043	92043-1143	PIN,8X32		2	2	2	2	2
92081	92081-1491	SPRING,FOOTREST,LH		1	1	1	1	1
92081A	92081-1543	SPRING,FOOTREST,RH		1	1	1	1	1
183	183BA0820	BOLT-UPSET-WS-SMALL,8X20		4	4	4	4	4

# '15-'19 KLX110 CFF/CGF/CHF/CJF/CKF

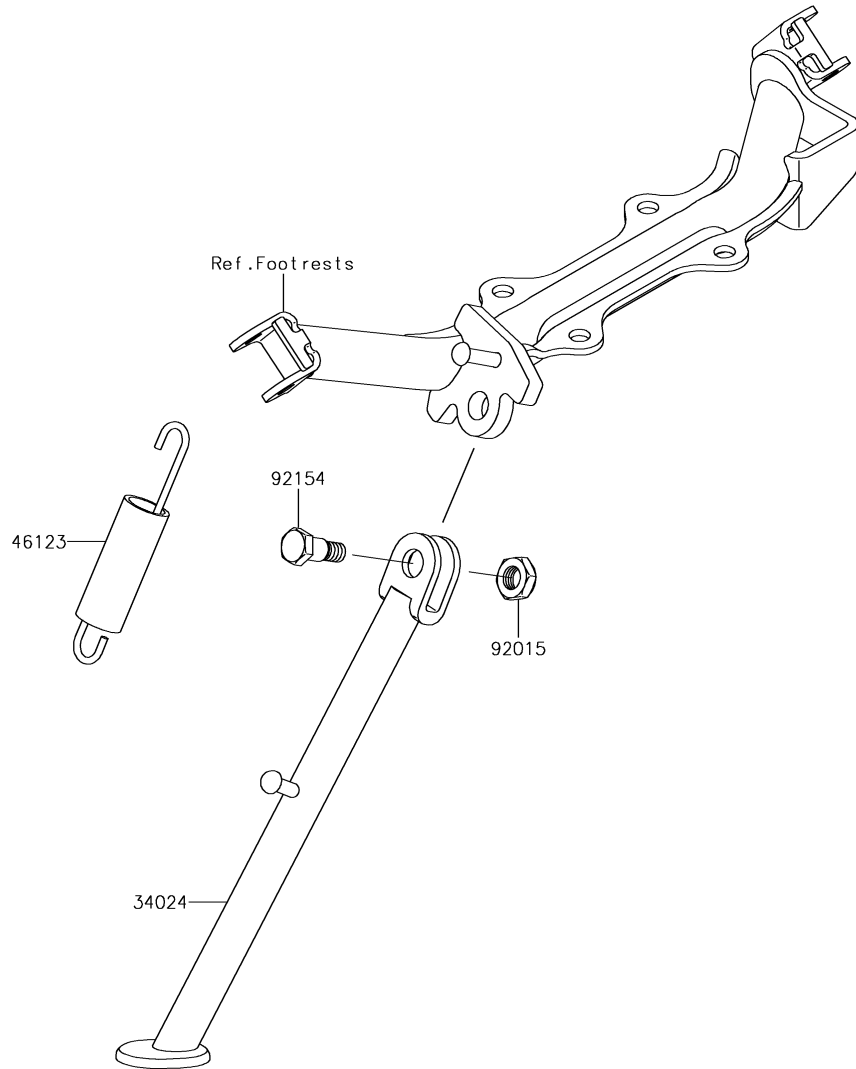
F2170



## 25. Fenders

Ref. No.	Part No.	Description	Spec Code	Quantity				
				'15	'16	'17	'18	'19
				CFF	CGF	CHF	CJF	CKF
35004	35004-0148-290	FENDER-FRONT,L.GREEN	1	1	1	1	1	
35019	35019-0091	FLAP	1	1	1	1	1	
35022	35022-0079-266	FENDER-COMP-REAR,B.WHITE	1					
35022A	35022-0079-290	FENDER-COMP-REAR,L.GREEN		1	1	1	1	
55020	55020-0552	GUARD	1	1	1	1	1	
92143	92143-1331	COLLAR	2	2	2	2	2	
92150	92150-1339	BOLT,FLANGED,6X20	2	2	2	2	2	
92150A	92150-1486	BOLT,FLANGED,6X30	2	2	2	2	2	
92150B	92150-1506	BOLT,FLANGED,6X16	8	8	8	8	8	
92152	92152-0427	COLLAR	8	8	8	8	8	
92161	92161-0845	DAMPER	1	1	1	1	1	
92161A	92161-0864	DAMPER	2	2	2	2	2	
92210	92210-0218	NUT,6MM	2	2	2	2	2	
132	132BA0616	BOLT-FLANGED-SMALL,6X16	2	2	2	2	2	

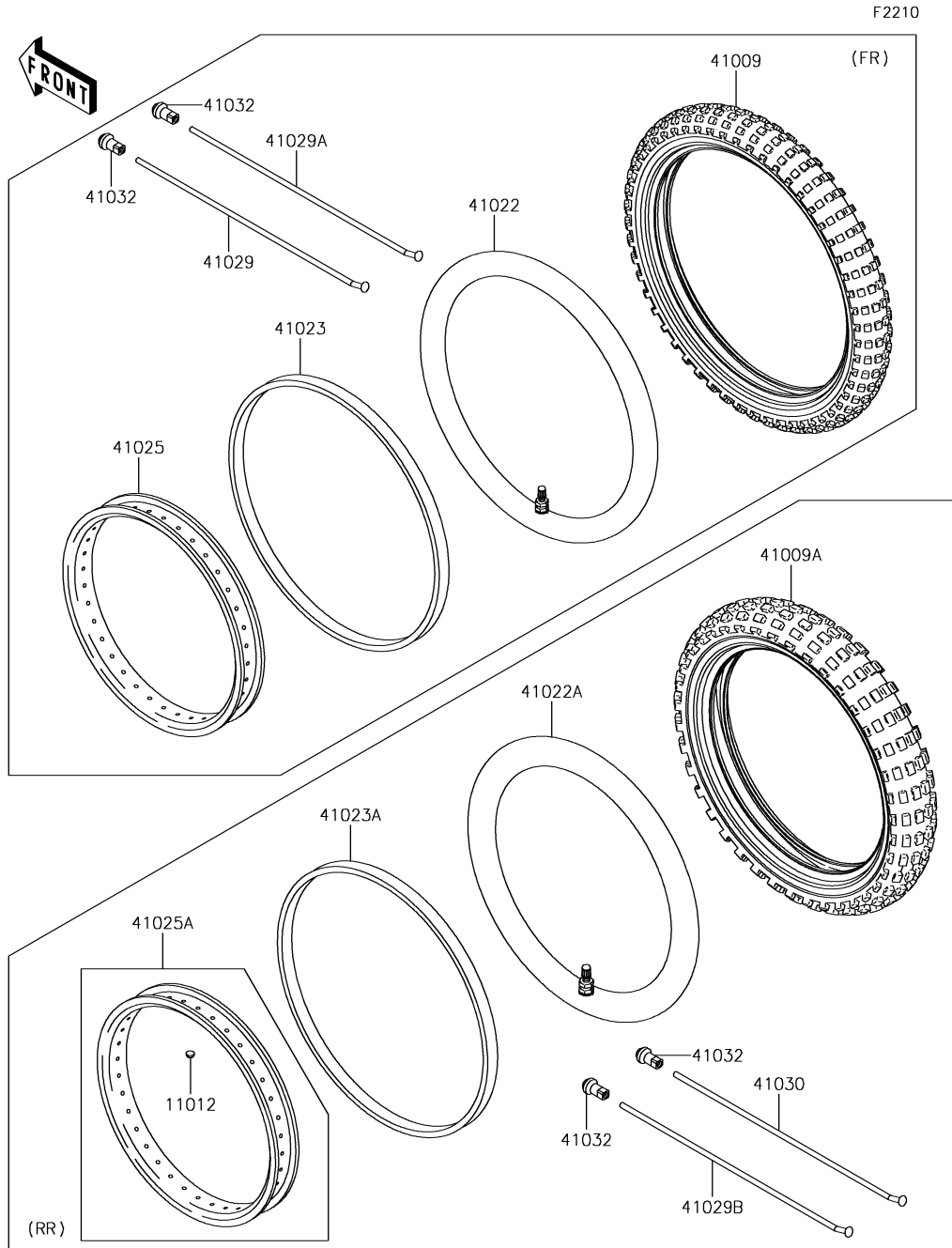
F2190



## 26. Stand(s)

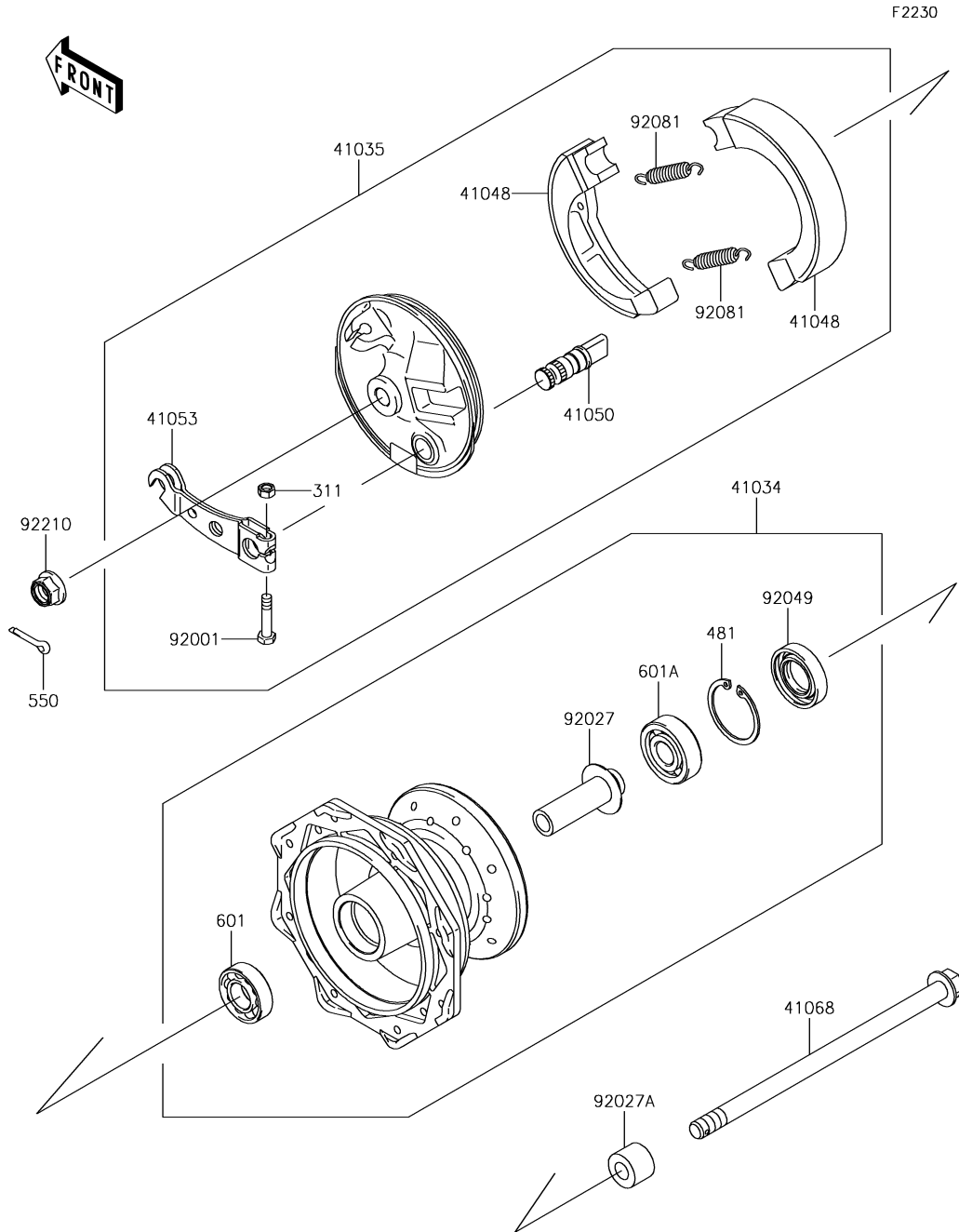
Ref. No.	Part No.	Description	Spec Code	Quantity				
				'15	'16	'17	'18	'19
				CFF	GGF	CHF	CJF	CKF
34024	34024-0084-458	STAND-SIDE,P.SILVER	1	1	1	1	1	
46123	46123-1059	SPRING-COMP,STAND	1	1	1	1	1	
92015	92015-1188	NUT,LOCK,10MM,BLACK	1	1	1	1	1	
92154	92154-0976	BOLT,SIDE STAND	1	1	1	1	1	

# '15-'19 KLX110 CFF/CGF/CHF/CJF/CKF



## 27. Tires

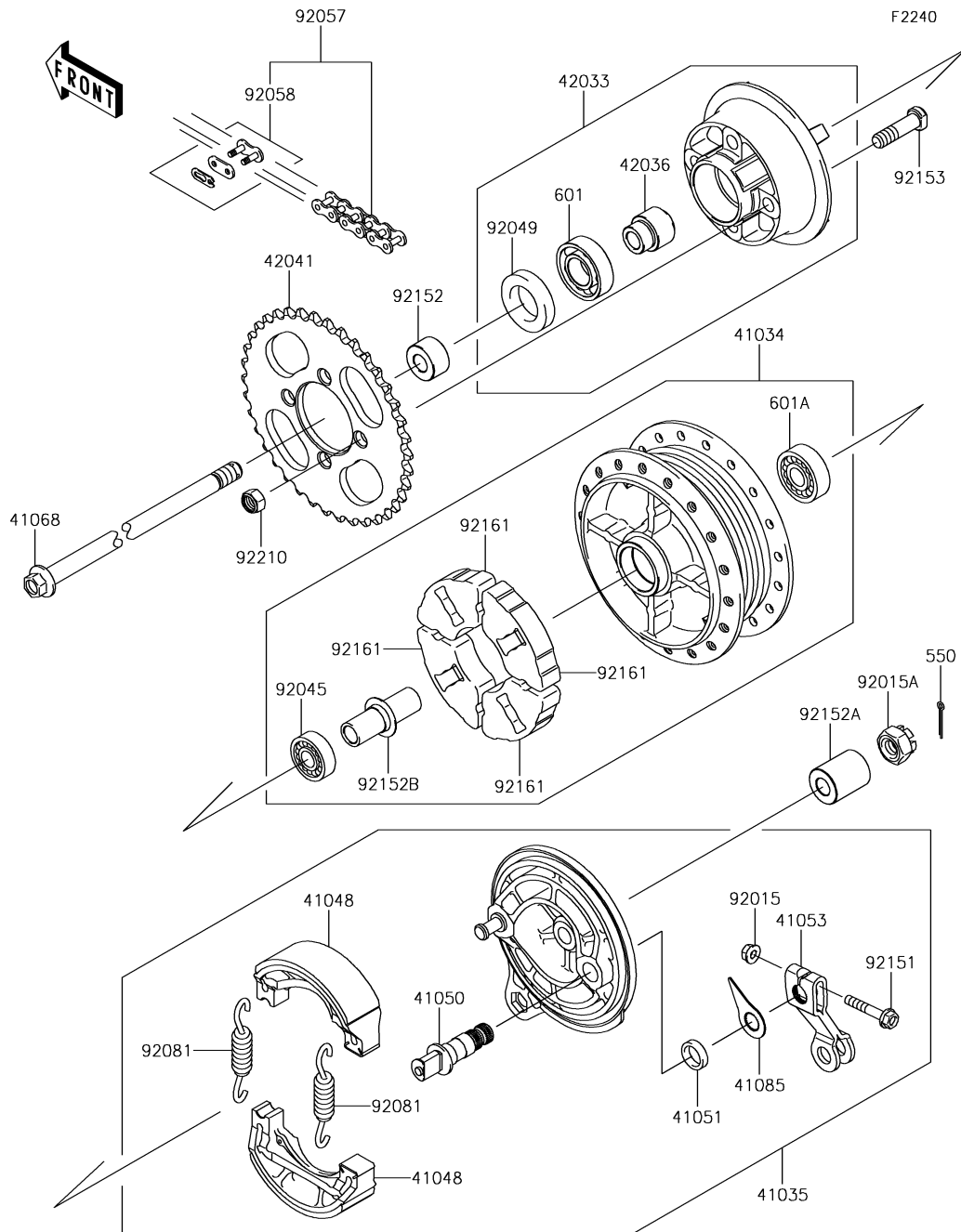
Ref. No.	Part No.	Description	Spec Code	Quantity				
				'15	'16	'17	'18	'19
				CFF	CGF	CHF	CJF	CKF
11012	11012-1916	CAP,BEAD STOPPER	1	1	1	1	1	
41009	41009-0231	TIRE,FR,2.50-14 4PR,GS-45F(IRC)	1	1	1	1	1	
41009A	41009-0232	TIRE,RR,3.00-12 4PR,GS-45F(IRC)	1	1	1	1	1	
41022	41022-0037	TUBE-TIRE,FR,2.50-14(IRC)	1	1	1	1	1	
41022A	41022-0038	TUBE-TIRE,RR,3.00-12(IRC)	1	1	1	1	1	
41023	41023-0021	BAND-RIM,FR,2.50-14(IRC)	1	1	1	1	1	
41023A	41023-0022	BAND-RIM,RR,3.00-12(IRC)	1	1	1	1	1	
41025	41025-0391	RIM,FR,1.40X14	1	1	1	1	1	
41025A	41025-0393	RIM,RR,1.60X12	1	1	1	1	1	
41029	41029-1067	SPOKE-INNER,FR,144MMX118D	16	16	16	16	16	
41029A	41029-1068	SPOKE-INNER,FR,133.5MMX97D	16	16	16	16	16	
41029B	41029-1329	SPOKE-INNER,RR,98MMX105.5D	18	18	18	18	18	
41030	41030-1182	SPOKE-OUTER,RR,98MMX77.5D	18	18	18	18	18	
41032	41032-0009	NIPPLE-SPOKE	68	68	68	68	68	



## 28. Front Hub

Ref. No.	Part No.	Description	Spec Code	Quantity				
				'15	'16	'17	'18	'19
				CFF	GGF	CHF	CJF	CKF
41034	41034-1343	DRUM-ASSY,FRONT BRAKE	1	1	1	1	1	
41035	41035-1543	PANEL-ASSY-BRAKE,FR	1	1	1	1	1	
41048	41048-1083	SHOE-BRAKE	2	2	2	2	2	
41050	41050-1031	CAM-BRAKE	1	1	1	1	1	
41053	41053-1027	LEVER-BRAKE CAM,FR	1	1	1	1	1	
41068	41068-0015	AXLE,FR	1	1	1	1	1	
92001	92001-1695	BOLT,5X25	1	1	1	1	1	
92027	92027-1470	COLLAR,FRONT DRUM,L=54	1	1	1	1	1	
92027A	92027-1472	COLLAR,FRONT AXLE,L=14.5	1	1	1	1	1	
92049	92049-0052	SEAL-OIL,DD20X35X7	1	1	1	1	1	
92081	92081-1564	SPRING,BRAKE SHOE	2	2	2	2	2	
92210	92210-0276	NUT,LOCK,FLANGED,10MM	1	1	1	1	1	
311	311BA0500	NUT-HEX	1	1	1	1	1	
481	481J3500	CIRCLIP-TYPE-C,35MM	1	1	1	1	1	
550	550S2520	PIN-COTTER,2.5X20	1	1	1	1	1	
601	601B6200UU	BEARING-BALL,#6200UUC3	1	1	1	1	1	
601A	601B6300UU	BEARING-BALL,#6300UUC3	1	1	1	1	1	

# '15-'19 KLX110 CFF/CGF/CHF/CJF/CKF

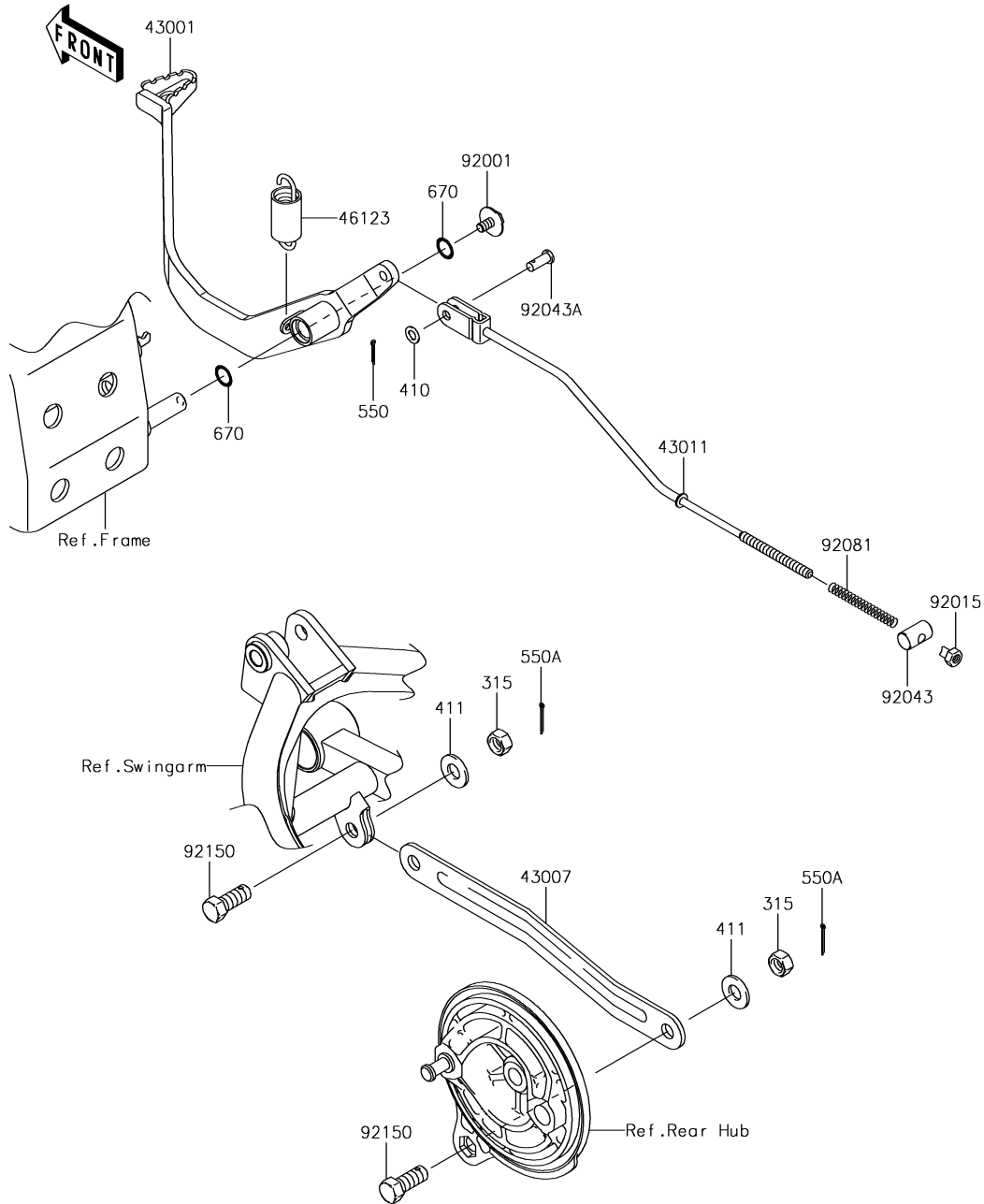


## 29. Rear Hub

Ref. No.	Part No.	Description	Spec Code	Quantity				
				'15	'16	'17	'18	'19
				CFF	CGF	CHF	CJF	CKF
41034	41034-0010	DRUM-ASSY,REAR BRAKE	1	1	1	1	1	
41035	41035-0084	PANEL-ASSY-BRAKE,RR	1	1	1	1	1	
41048	41048-1141	SHOE-BRAKE	2	2	2	2	2	
41050	41050-1082	CAM-BRAKE	1	1	1	1	1	
41051	41051-001	SEAL,BRAKE CAM	1	1	1	1	1	
41053	41053-0021	LEVER-BRAKE CAM	1	1	1	1	1	
41068	41068-0016	AXLE,RR	1	1	1	1	1	
41085	41085-1085	INDICATOR	1	1	1	1	1	
42033	42033-1223	COUPLING-ASSY,RR HUB	1	1	1	1	1	
42036	42036-1292	SLEEVE,RR HUB COUPLING,L=29	1	1	1	1	1	
42041	42041-0082	SPROCKET-HUB,38T	1	1	1	1	1	
92015	92015-1367	NUT,FLANGED,6MM	1	1	1	1	1	
92015A	92015-1870	NUT,CASTLE,12MM	1	1	1	1	1	
92045	92045-1308	BEARING-BALL,6201ZC3/5C	1	1	1	1	1	
92049	92049-1490	SEAL-OIL,SC26X42X8	1	1	1	1	1	
92057	92057-0183	CHAIN,DRIVE,DID420DX90L	1	1	1	1	1	
92058	92058-0006	JOINT-CHAIN,DRIVE	1	1	1	1	1	
92081	92081-1766	SPRING,BRAKE SHOE	2	2	2	2	2	
92151	92151-1209	BOLT,FLANGED,6X34	1	1	1	1	1	
92152	92152-1405	COLLAR,RR AXLE,LH,L=14.8	1	1	1	1	1	
92152A	92152-1406	COLLAR,RR AXLE,RH,L=32	1	1	1	1	1	
92152B	92152-1409	COLLAR,REAR BRAKE DRUM,L=58	1	1	1	1	1	
92153	92153-1120	BOLT,10X36	4	4	4	4	4	
92161	92161-0084	DAMPER,RR HUB SHOCK	4	4	4	4	4	
92210	92210-1351	NUT,LOCK,10MM	4	4	4	4	4	
550	550S2530	PIN-COTTER,2.5X30	1	1	1	1	1	
601	601B6004UG	BEARING-BALL,#6004UG	1	1	1	1	1	
601A	601B6301UG	BEARING-BALL,#6301UG	1	1	1	1	1	

# '15-'19 KLX110 CFF/CGF/CHF/CJF/CKF

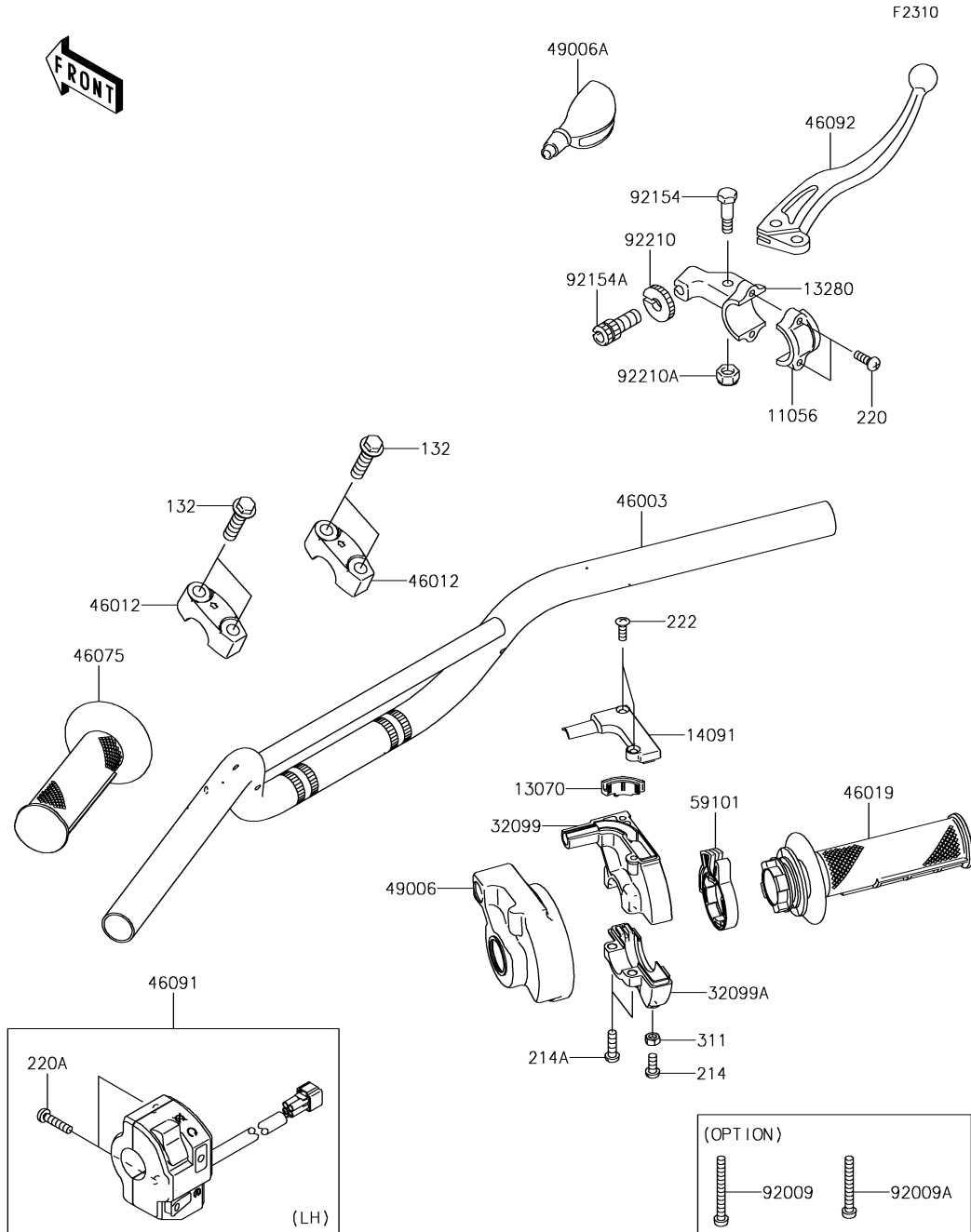
F2260



## 30. Brake Pedal

Ref. No.	Part No.	Description	Spec Code	Quantity				
				'15	'16	'17	'18	'19
				CFF	GGF	CHF	CJF	CKF
43001	43001-0122	LEVER-BRAKE,PEDAL	1	1	1	1	1	
43007	43007-0015	ROD-TORQUE	1	1	1	1	1	
43011	43011-0010	ROD-BRAKE	1	1	1	1	1	
46123	46123-1060	SPRING-COMP,BRAKE PEDAL RETURN	1	1	1	1	1	
92001	92001-1034	BOLT,FLANGED,6X10	1	1	1	1	1	
92015	92015-042	NUT,BRAKE ROD	1	1	1	1	1	
92043	92043-0147	PIN,BRAKE ROD	1	1	1	1	1	
92043A	92043-1542	PIN,6X12.8	1	1	1	1	1	
92081	92081-1688	SPRING,BRAKE ROD	1	1	1	1	1	
92150	92150-1873	BOLT,10X25	2	2	2	2	2	
315	315BA1000	NUT-HEX-FINE,10MM	2	2	2	2	2	
410	410AA0600	WASHER-PLAIN-SMALL	1	1	1	1	1	
411	411AA1000	WASHER-PLAIN,10MM	2	2	2	2	2	
550	550AA2015	PIN-COTTER,2.0X15	1	1	1	1	1	
550A	550AA2020	PIN-COTTER,2.0X20	2	2	2	2	2	
670	670B2012	O RING,12MM	2	2	2	2	2	

# '15-'19 KLX110 CFF/CGF/CHF/CJF/CKF

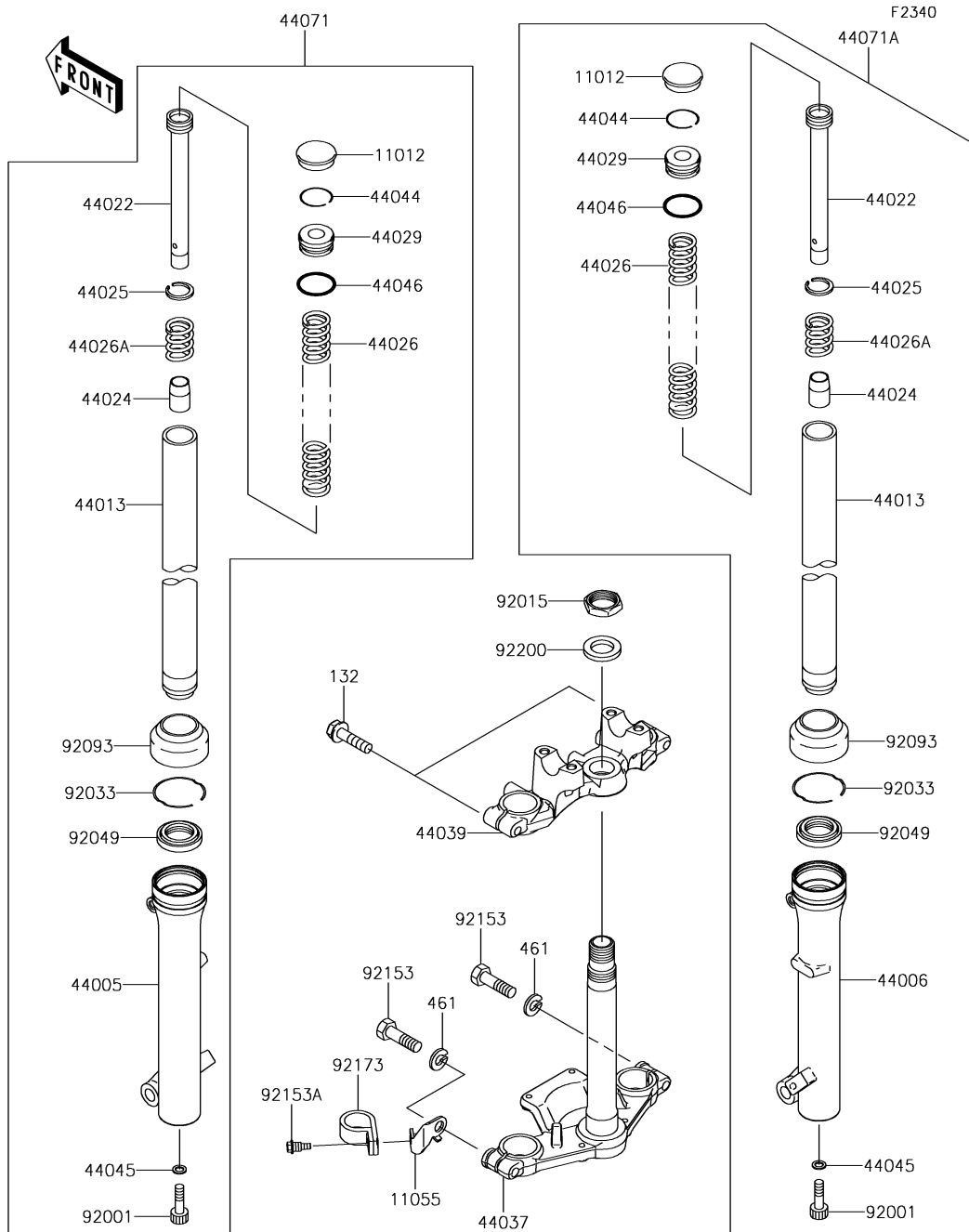


## 31. Handlebar

Ref. No.	Part No.	Description	Spec Code	Quantity				
				'15	'16	'17	'18	'19
				CFF	CGF	CHF	CJF	CKF
11056	11056-0150	BRACKET, LEVER HOLDER	1	1	1	1	1	
13070	13070-0083	GUIDE, THROTTLE	1	1	1	1	1	
13280	13280-0362	HOLDER, BRAKE LEVER	1	1	1	1	1	
14091	14091-0873	COVER, THROTTLE CASE, UPP	1	1	1	1	1	
32099	32099-0037	CASE, THROTTLE, UPP	1	1	1	1	1	
32099A	32099-0045	CASE, THROTTLE, LWR	1	1	1	1	1	
46003	46003-0175-458	HANDLE, P. SILVER	1	1	1	1	1	
46012	46012-0101-458	HOLDER-HANDLE, UPP, P. SILVER	2	2	2	2	2	
46019	46019-0023	GRIP-ASSY, THROTTLE	1	1	1	1	1	
46075	46075-0072	GRIP, LH	1	1	1	1	1	
46091	46091-0226	HOUSING-ASSY-CONTROL, LH	1	1	1	1	1	
46092	46092-0037	LEVER-GRIP, BRAKE	1	1	1	1	1	
49006	49006-0075	BOOT, THROTTLE CASE	1	1	1	1	1	
49006A	49006-1017	BOOT, LEVER HOLDER	1	1	1	1	1	
59101	59101-0005	REEL, THROTTLE	1	1	1	1	1	
92009	92009-1989	SCREW, 5X47 (OPTION)	1	1	1	1	1	
92009A	92009-1998	SCREW, 5X42 (OPTION)	1	1	1	1	1	
92154	92154-0329	BOLT, LEVER SET	1	1	1	1	1	
92154A	92154-0330	BOLT, CABLE ADJUSTER	1	1	1	1	1	
92210	92210-0593	NUT	1	1	1	1	1	
92210A	92210-0594	NUT, LOCK, 6MM	1	1	1	1	1	
132	132BA0830	BOLT-FLANGED-SMALL, 8X30	4	4	4	4	4	
214	214AB0512	SCREW-PAN+-, 5X12	1	1	1	1	1	
214A	214AB0518	SCREW-PAN+-, 5X18	2	2	2	2	2	
220	220AA0514	SCREW-PAN-CROS, 5X14	2	2	2	2	2	
220A	220AB0522	SCREW-PAN-CROS, 5X22	2	2	2	2	2	
222	222AB0412	SCREW-CSK-RD-CROS, 4X12	2	2	2	2	2	
311	311AB0500	NUT-HEX, 5MM	1	1	1	1	1	



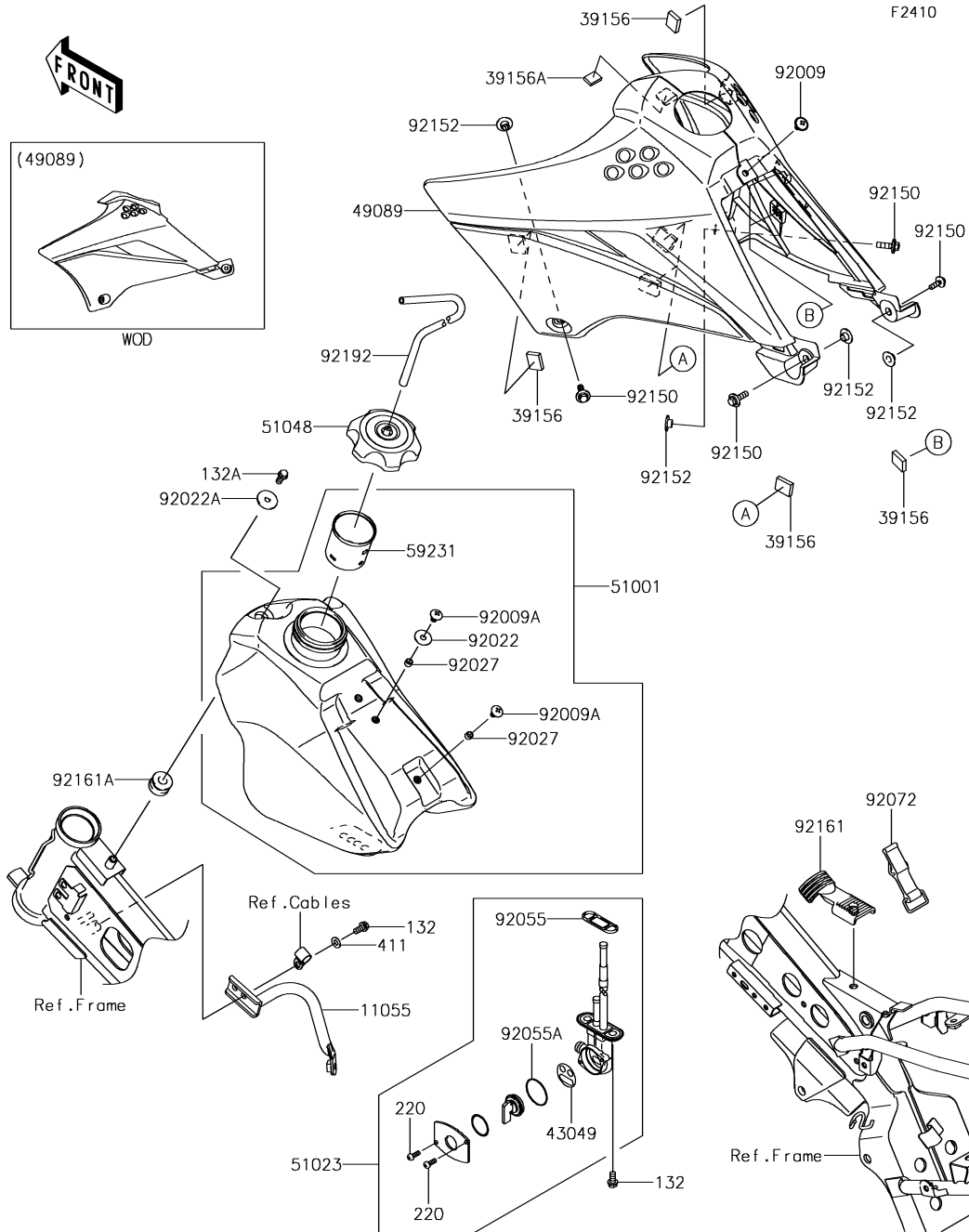
# '15-'19 KLX110 CFF/CGF/CHF/CJF/CKF



## 32. Front Fork

Ref. No.	Part No.	Description	Spec Code	Quantity				
				'15	'16	'17	'18	'19
				CFF	GGF	CHF	CJF	CKF
11012	11012-1067	CAP,RUBBER,FORK TOP	2	2	2	2	2	
11055	11055-1631	BRACKET	1	1	1	1	1	
44005	44005-0039-458	PIPE-LEFT FORK OUTER,P.SILVER	1	1	1	1	1	
44006	44006-0038-458	PIPE-RIGHT FORK OUTER,P.SILVER	1	1	1	1	1	
44013	44013-0018	PIPE-FORK INNER	2	2	2	2	2	
44022	44022-1346	CYLINDER-FORK	2	2	2	2	2	
44024	44024-1071	CAP-OIL-LOCK	2	2	2	2	2	
44025	44025-1061	RING-FORK PISTON	2	2	2	2	2	
44026	44026-0147	SPRING-FRONT FORK	2	2	2	2	2	
44026A	44026-060	SPRING-FRONT FORK,REBOUND	2	2	2	2	2	
44029	44029-022	SEAT-FORK SPRING	2	2	2	2	2	
44037	44037-0105-458	HOLDER-FORK UNDER,P.SILVER	1	1	1	1	1	
44039	44039-0093	HOLDER-FORK UPPER	1	1	1	1	1	
44044	44044-023	RING-SNAP	2	2	2	2	2	
44045	44045-051	GASKET,FORK CYLINDER BOLT	2	2	2	2	2	
44046	44046-025	RING-O	2	2	2	2	2	
44071	44071-0639-458	DAMPER-ASSY,FORK,LH,P.SILVER	1	1	1	1	1	
44071A	44071-0640-458	DAMPER-ASSY,FORK,RH,P.SILVER	1	1	1	1	1	
92001	92001-1464	BOLT,FORK CYLINDER	2	2	2	2	2	
92015	92015-1653	NUT,STEERING STEM,22MM	1	1	1	1	1	
92033	92033-1028	RING-SNAP,FORK OUTER TUBE	2	2	2	2	2	
92049	92049-1069	SEAL-OIL,FORK OUTER TUBE	2	2	2	2	2	
92093	92093-1054	DUST SHIELD,FORK	2	2	2	2	2	
92153	92153-1199	BOLT,10X35	2	2	2	2	2	
92153A	92153-1397	BOLT,FLANGED	1	1	1	1	1	
92173	92173-0166	CLAMP	1	1	1	1	1	
92200	92200-0517	WASHER,STEERING STEM	1	1	1	1	1	
132	132BA0835	BOLT-FLANGED-SMALL,8X35	2	2	2	2	2	
461	461DA1000	WASHER-SPRING,10MM	2	2	2	2	2	

# '15-'19 KLX110 CFF/CGF/CHF/CJF/CKF

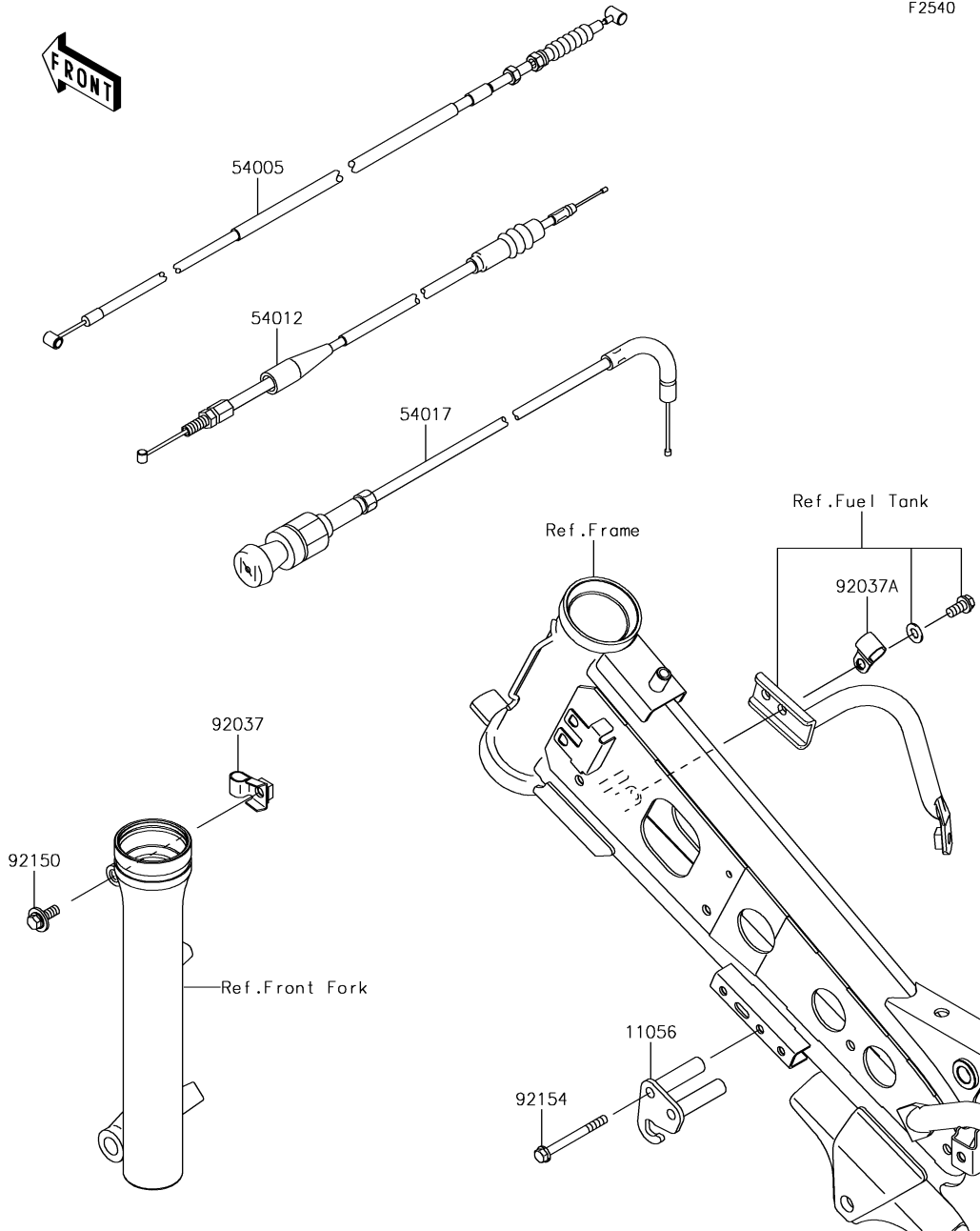


## 33. Fuel Tank

Ref. No.	Part No.	Description	Spec Code	Quantity				
				'15	'16	'17	'18	'19
				CFF	GGF	CHF	CJF	CKF
11055	11055-1636	BRACKET,SHROUD,RH		1	1	1	1	1
39156	39156-0580	PAD,16X20X5		6	6	6	6	6
39156A	39156-0581	PAD,12X17X4		1	1	1	1	1
43049	43049-1091	PACKING,TAP VALVE		1	1	1	1	1
49089	49089-0081-290	SHROUD-ENGINE,L.GREEN		1	1	1	1	1
51001	51001-0821	TANK-COMP-FUEL		1	1	1	1	1
51023	51023-0041	TAP-ASSY		1	1	1	1	1
51048	51048-0009	CAP-ASSY-TANK,FUEL		1	1	1	1	1
59231	59231-0051	FILLER		1	1	1	1	1
92009	92009-1286	SCREW,6X10,WHITE		1	1	1	1	1
92009A	92009-1530	SCREW,6X10		2	2	2	2	2
92022	92022-165	WASHER,PLAIN,6.5X20X1		1	1	1	1	1
92022A	92022-1690	WASHER,6.5X24X2		1	1	1	1	1
92027	92027-2096	COLLAR,6.2X7.8X5		2	2	2	2	2
92055	92055-1112	RING-O,FUEL TAP PACKING		1	1	1	1	1
92055A	92055-1419	RING-O,TAP LEVER		1	1	1	1	1
92072	92072-1229	BAND,FUEL TANK		1	1	1	1	1
92150	92150-1339	BOLT,FLANGED,6X20		4	4	4	4	4
92152	92152-0427	COLLAR		4	4	4	4	4
92161	92161-0779	DAMPER,FUEL TANK		1	1	1	1	1
92161A	92161-1523	DAMPER		1	1	1	1	1
92192	92192-0884	TUBE,5X8X380		1	1	1	1	1
132	132BA0612	BOLT-FLANGED-SMALL,6X12		3	3	3	3	3
132A	132BA0614	BOLT-FLANGED-SMALL,6X14		1	1	1	1	1
220	220AA0308	SCREW-PAN-CROS,3X8		2	2	2	2	2
411	411AA0600	WASHER-PLAIN,6MM		1	1	1	1	1

# '15-'19 KLX110 CFF/CGF/CHF/CJF/CKF

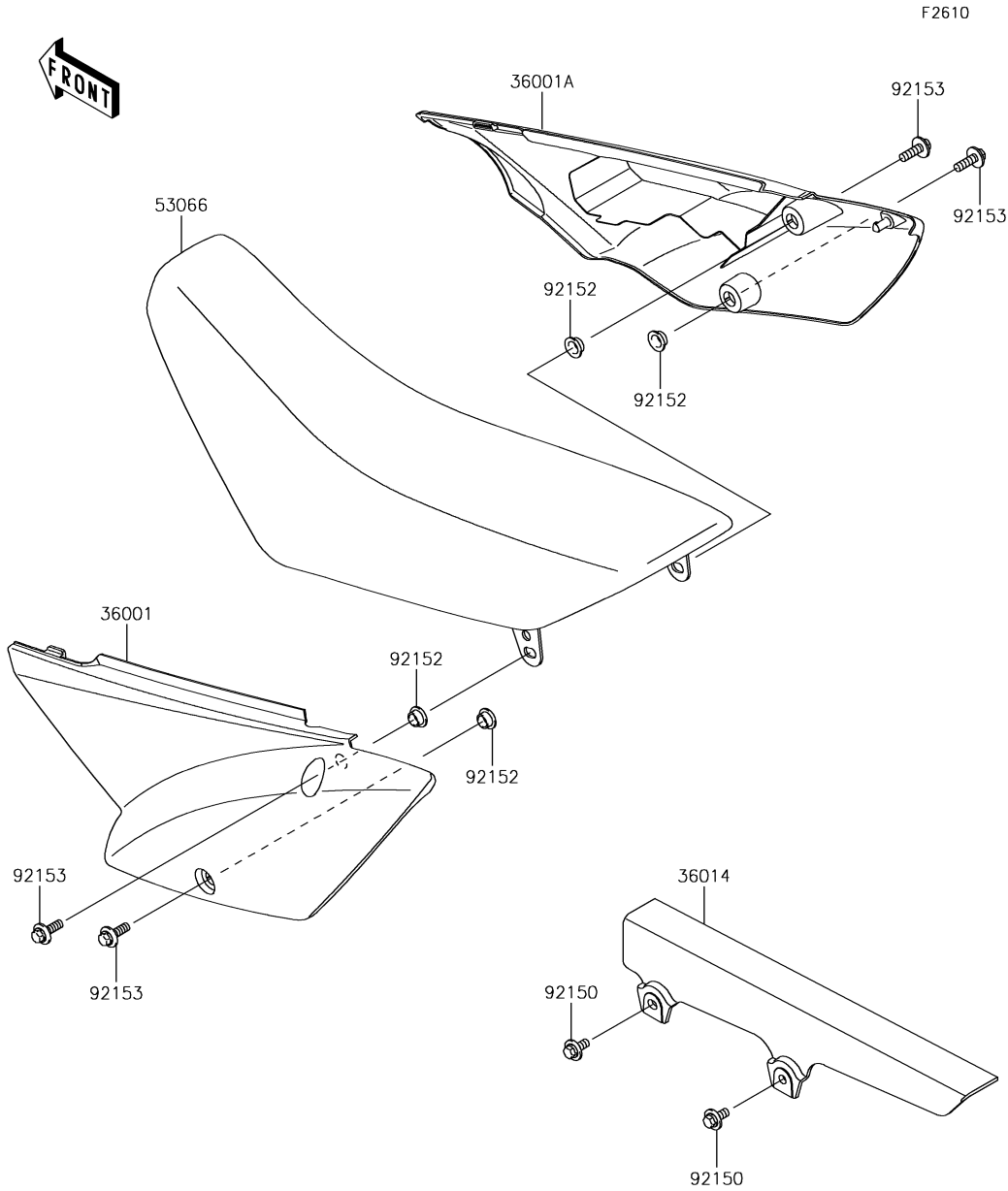
F2540



## 34. Cables

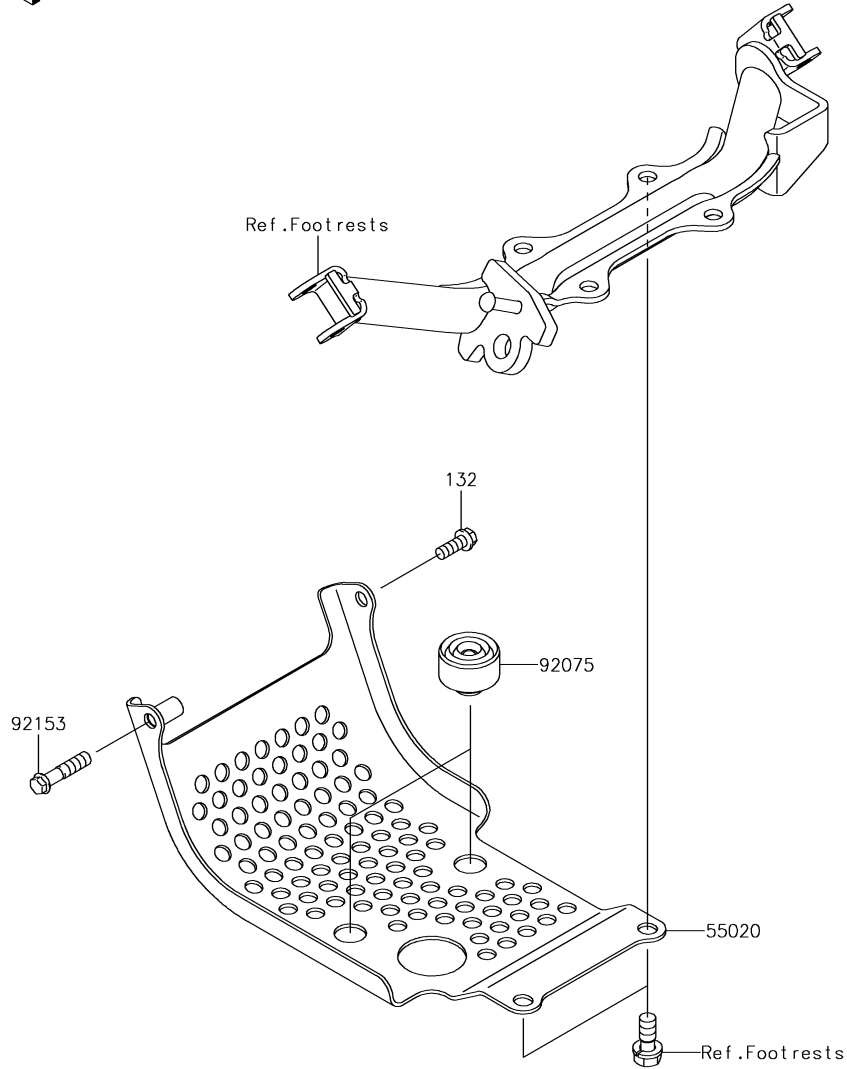
Ref. No.	Part No.	Description	Spec Code	Quantity				
				'15	'16	'17	'18	'19
				CFF	GGF	CHF	CJF	CKF
11056	11056-0151	BRACKET,CHOKE	1	1	1	1	1	
54005	54005-0026	CABLE-BRAKE	1	1	1	1	1	
54012	54012-0643	CABLE-THROTTLE	1	1	1	1	1	
54017	54017-1218	CABLE-STARTER	1	1	1	1	1	
92037	92037-1353	CLAMP,BRAKE CABLE	1	1	1	1	1	
92037A	92037-1608	CLAMP	1	1	1	1	1	
92150	92150-1506	BOLT,FLANGED,6X16	1	1	1	1	1	
92154	92154-0374	BOLT,FLANGED,5X53	2	2	2	2	2	

35. Side Covers/Chain Cover



Ref. No.	Part No.	Description	Spec Code	Quantity				
				'15	'16	'17	'18	'19
				CFF	GGF	CHF	CJF	CKF
36001	36001-0204-266	COVER-SIDE,LH,B.WHITE	1	1	1	1	1	
36001A	36001-0205-266	COVER-SIDE,RH,B.WHITE	1	1	1	1	1	
36014	36014-1258	CASE-CHAIN	1	1	1	1	1	
53066	53066-0456-49F	SEAT-ASSY,GREEN/BLACK	1	1	1	1	1	
92150	92150-1689	BOLT,FLANGED,6X14	2	2	2	2	2	
92152	92152-0789	COLLAR	4	4	4	4	4	
92153	92153-0502	BOLT,6X20	4	4	4	4	4	

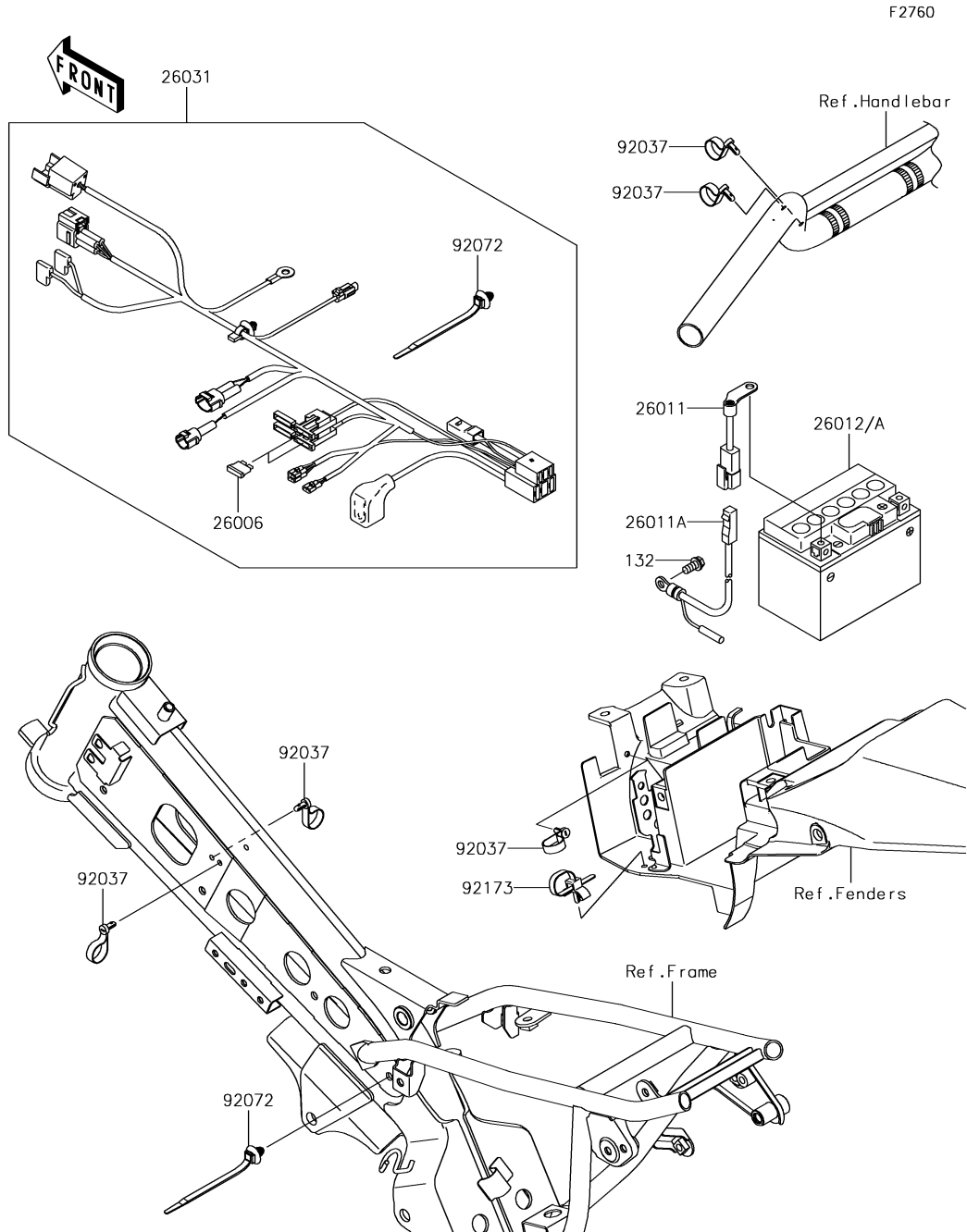
F2680



### 36. Guard(s)

Ref. No.	Part No.	Description	Spec Code	Quantity				
				'15	'16	'17	'18	'19
				CFF	GGF	CHF	CJF	CKF
55020	55020-1784	GUARD,ENGINE	1	1	1	1	1	
92075	92075-015	DAMPER	2	2	2	2	2	
92153	92153-1187	BOLT,FLANGED,6X30	1	1	1	1	1	
132	132BD0616	BOLT-FLANGED-SMALL,6X16	1	1	1	1	1	

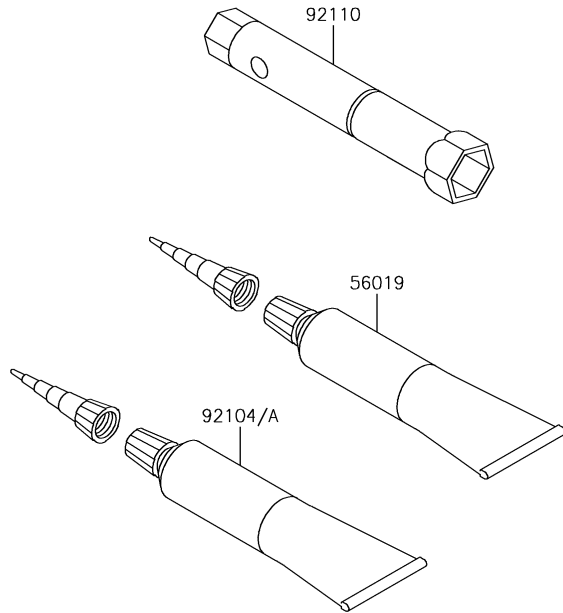
# '15-'19 KLX110 CFF/CGF/CHF/CJF/CKF



## 37. Chassis Electrical Equipment

Ref. No.	Part No.	Description	Spec Code	Quantity				
				'15	'16	'17	'18	'19
				CFF	GGF	CHF	CJF	CKF
26006	26006-0009	FUSE,MINI BLADE,10A,RED	2	2	2	2	2	
26011	26011-0245	WIRE-LEAD	1	1	1	1	1	
26011A	26011-0289	WIRE-LEAD	1	1	1	1	1	
26012	26012-0116	BATTERY,FTH4L-BS,12V 3AH	1					
26012A	26012-0725	BATTERY,FTH4L-BS,12V 3AH		1	1	1	1	
26031	26031-1105	HARNESS,MAIN	1	1	1	1	1	
92037	92037-1163	CLAMP,SPEED,L=58	5	5	5	5	5	
92072	92072-1414	BAND,OS170-FT7(BLACK)	2	2	2	2	2	
92173	92173-1512	CLAMP	1	1	1	1	1	
132	132BA0612	BOLT-FLANGED-SMALL,6X12	1	1	1	1	1	

F2810

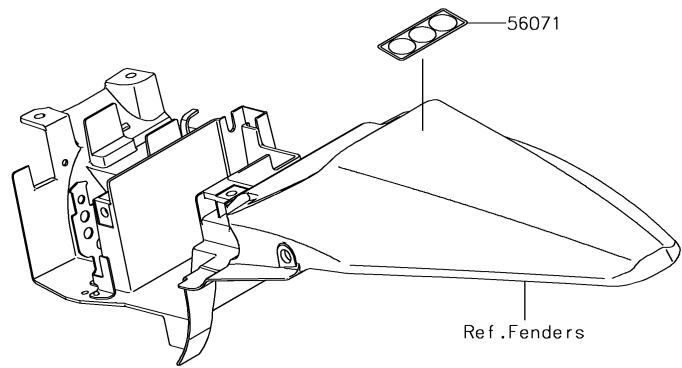
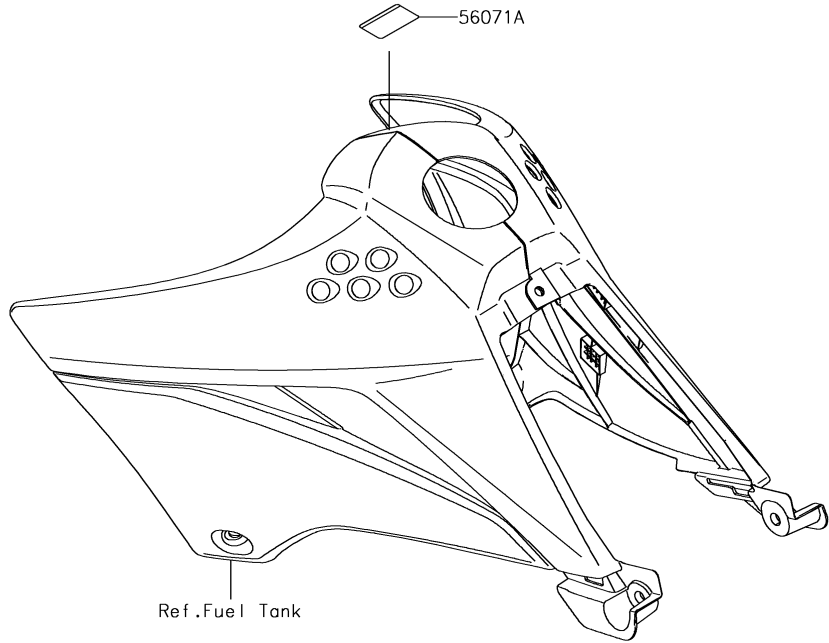


38. Owner's Tools

Ref. No.	Part No.	Description	Spec Code	Quantity				
				'15	'16	'17	'18	'19
				CFF	CGF	CHF	CJF	CKF
56019	56019-120	GASKET-LIQUID,TB1211,WHITE	1	1	1	1	1	
92104	92104-0004	GASKET-LIQUID,TB1211F,CLEAR	1	1	1	1	1	
92104A	92104-1003	GASKET-LIQUID,TB1105,BLACK	1	1	1	1	1	
92110	92110-1206	TOOL-WRENCH,BOX,16MM	1	1	1	1	1	

# '15-'19 KLX110 CFF/CGF/CHF/CJF/CKF

F2860



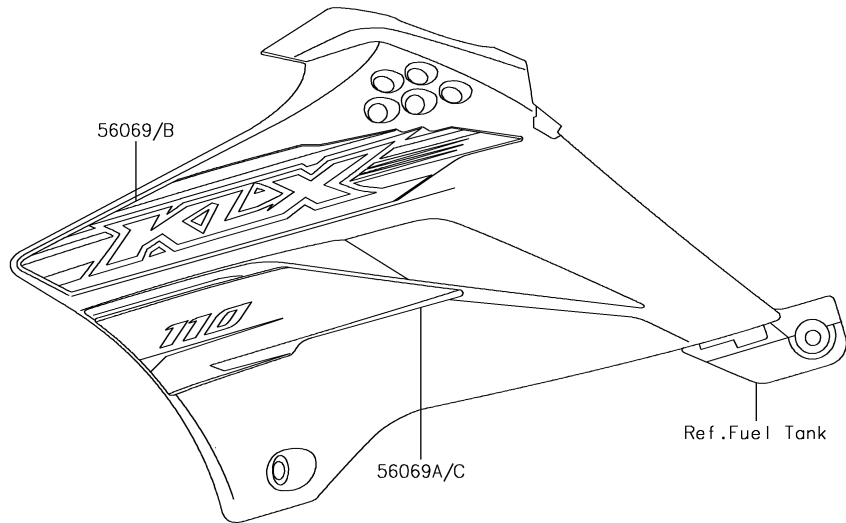
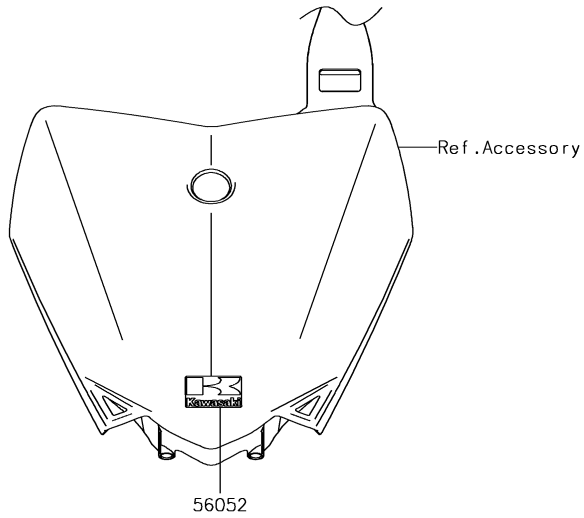
## 39. Labels

Ref. No.	Part No.	Description	Spec Code	Quantity				
				'15	'16	'17	'18	'19
				CFF	CGF	CHF	CJF	CKF
56071	56071-0417	LABEL-WARNING,OFF ROAD ONLY		1	1	1	1	1
56071A	56071-0695	LABEL-WARNING,FUEL,E5/E10		1	1	1	1	1



'15-'19 KLX110 CFF/CGF/CHF/CJF/CKF

F2861

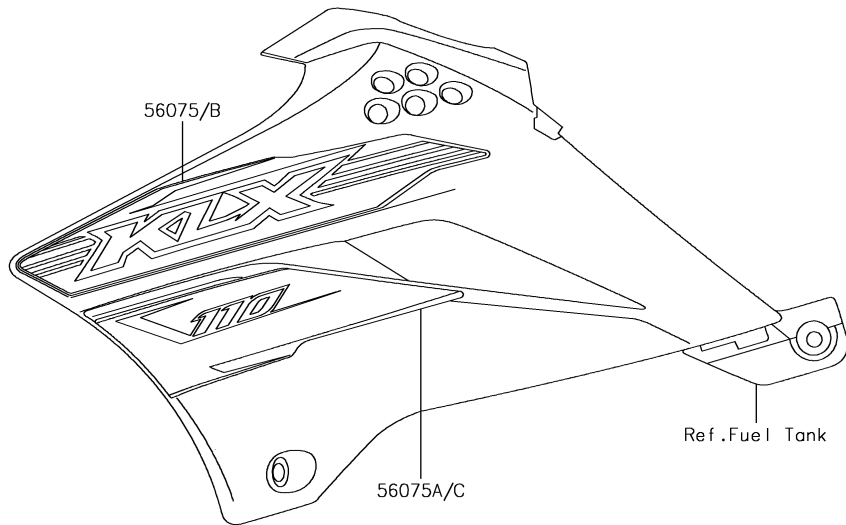
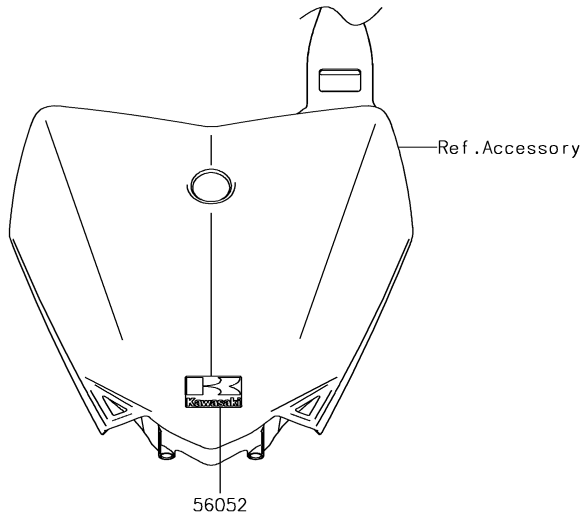


40. Decals(CFF)

Ref. No.	Part No.	Description	Spec Code	Quantity				
				'15	'16	'17	'18	'19
				CFF	CGF	CHF	CJF	CKF
56052	56052-0968	MARK,NUMBER PLATE,KAWASAKI						1
56069	56069-7415	PATTERN,SHROUD,LH,UPP						1
56069A	56069-7416	PATTERN,SHROUD,LH,LWR						1
56069B	56069-7417	PATTERN,SHROUD,RH,UPP						1
56069C	56069-7418	PATTERN,SHROUD,RH,LWR						1

'15-'19 KLX110 CFF/CGF/CHF/CJF/CKF

F2861A

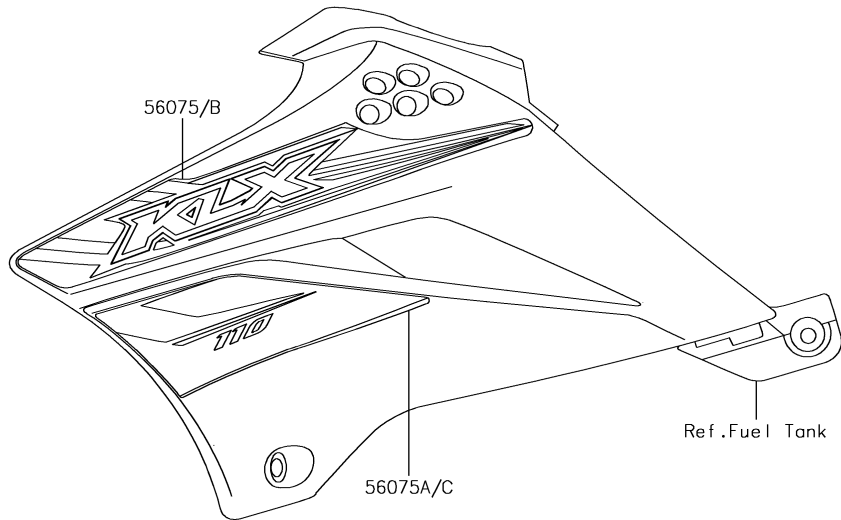
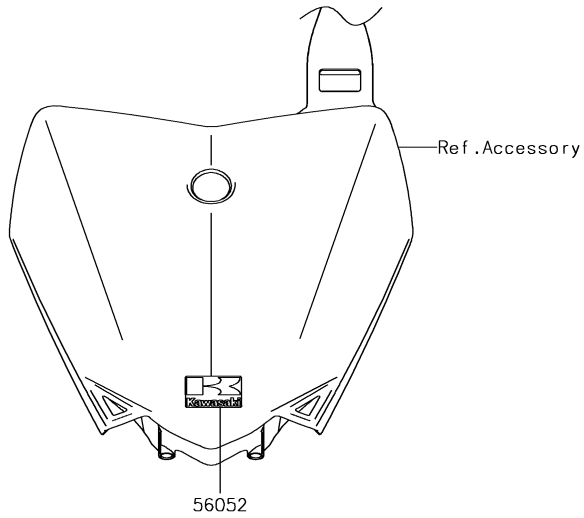


41. Decals(CGF)

Ref. No.	Part No.	Description	Spec Code	Quantity				
				'15	'16	'17	'18	'19
				CFF	CGF	CHF	CJF	CKF
56052	56052-0968	MARK,NUMBER PLATE,KAWASAKI						1
56075	56075-0593	PATTERN,SHROUD,LH,UPP						1
56075A	56075-0594	PATTERN,SHROUD,LH,LWR						1
56075B	56075-0595	PATTERN,SHROUD,RH,UPP						1
56075C	56075-0596	PATTERN,SHROUD,RH,LWR						1

# '15-'19 KLX110 CFF/CGF/CHF/CJF/CKF

F2861B

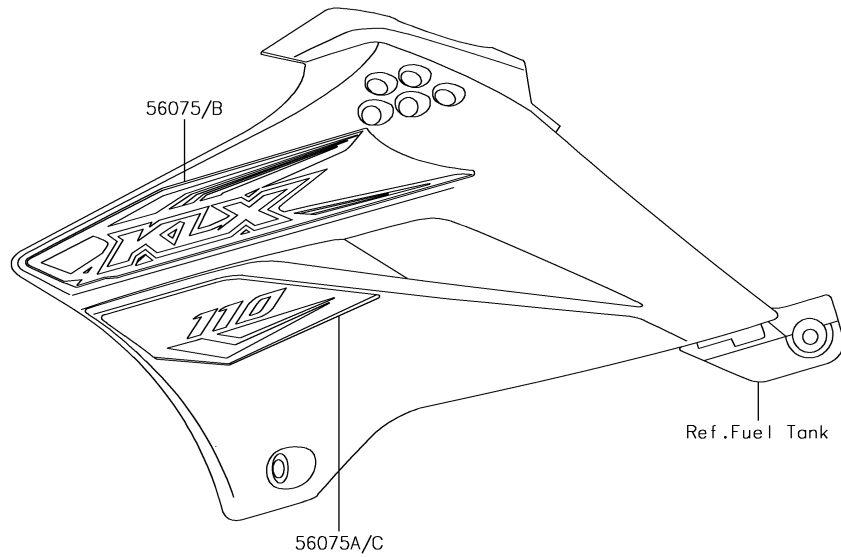
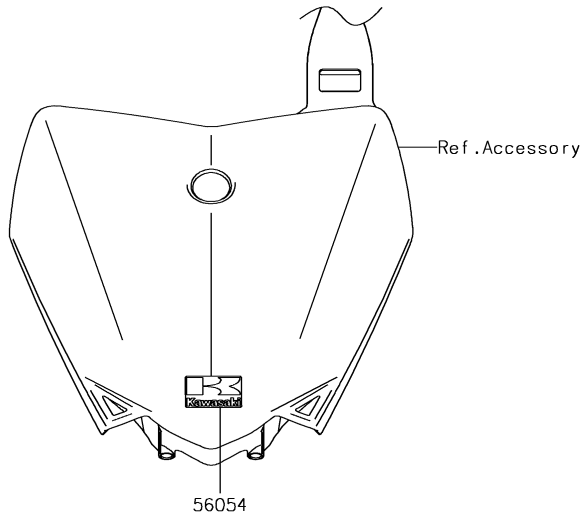


## 42. Decals(CHF)

Ref. No.	Part No.	Description	Spec Code	Quantity				
				'15	'16	'17	'18	'19
				CFF	GGF	CHF	CJF	CKF
56052	56052-0968	MARK,NUMBER PLATE,KAWASAKI						1
56075	56075-1863	PATTERN,SHROUD,LH,UPP						1
56075A	56075-1864	PATTERN,SHROUD,LH,LWR						1
56075B	56075-1865	PATTERN,SHROUD,RH,UPP						1
56075C	56075-1866	PATTERN,SHROUD,RH,LWR						1

'15-'19 KLX110 CFF/CGF/CHF/CJF/CKF

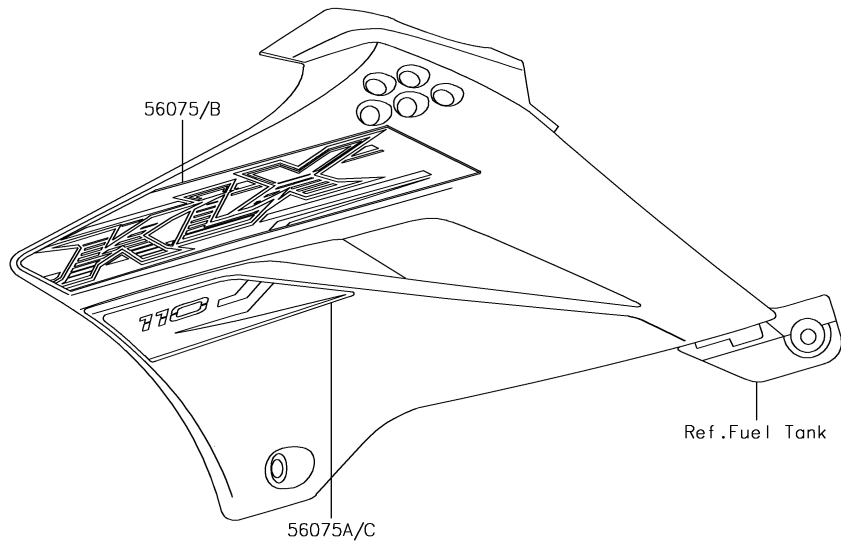
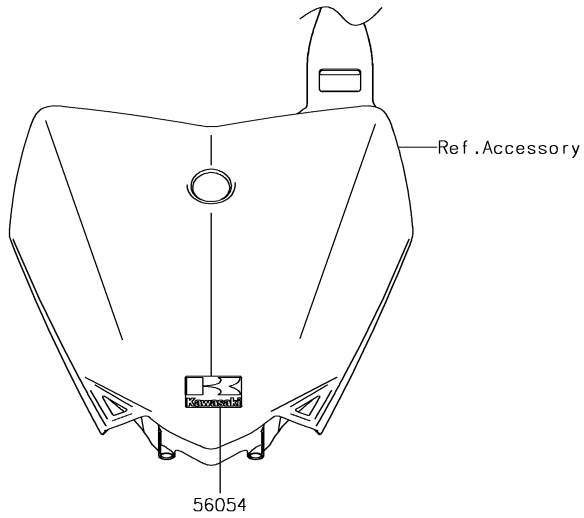
F2861C



43. Decals(CJF)

Ref. No.	Part No.	Description	Spec Code	Quantity				
				'15	'16	'17	'18	'19
				CFF	CGF	CHF	CJF	CKF
56054	56054-2249	MARK,NUMBER PLATE,KAWASAKI						1
56075	56075-2735	PATTERN,SHROUD,LH,UPP						1
56075A	56075-2736	PATTERN,SHROUD,LH,LWR						1
56075B	56075-2737	PATTERN,SHROUD,RH,UPP						1
56075C	56075-2738	PATTERN,SHROUD,RH,LWR						1

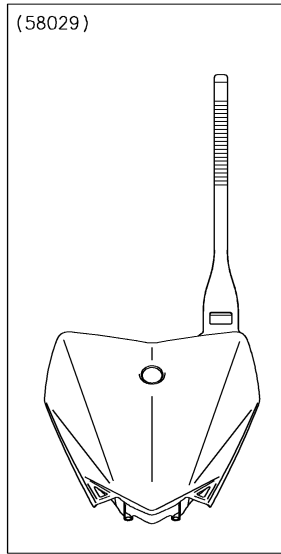
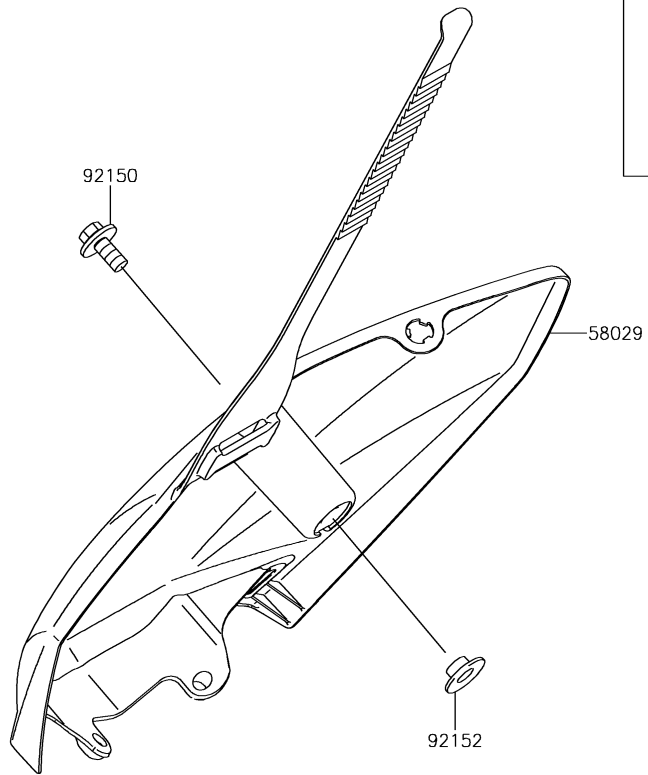
F2861D



#### 44. Decals(CKF)

Ref. No.	Part No.	Description	Spec Code	Quantity				
				'15	'16	'17	'18	'19
				CFF	GGF	CHF	CJF	CKF
56054	56054-2249	MARK,NUMBER PLATE,KAWASAKI						1
56075	56075-4339	PATTERN,SHROUD,LH,UPP						1
56075A	56075-4340	PATTERN,SHROUD,LH,LWR						1
56075B	56075-4341	PATTERN,SHROUD,RH,UPP						1
56075C	56075-4342	PATTERN,SHROUD,RH,LWR						1

F2910



WOD

## 45. Accessory

Ref. No.	Part No.	Description	Spec Code	Quantity				
				'15	'16	'17	'18	'19
				CFF	CGF	CHF	CJF	CKF
58029	58029-0010-266	PLATE-NUMBER,B.WHITE	1	1	1	1	1	
92150	92150-1340	BOLT,6X14	1	1	1	1	1	
92152	92152-0427	COLLAR	1	1	1	1	1	

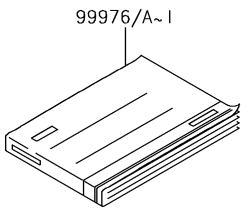
# '15-'19 KLX110 CFF/CGF/CHF/CJF/CKF

F2920

# 46. Manual

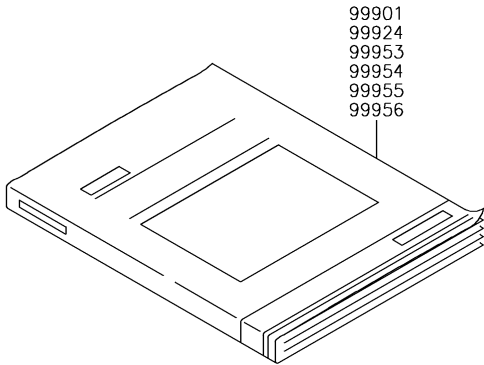
Ref. No.	Part No.	Description	Spec Code	Quantity				
				'15	'16	'17	'18	'19
				CFF	CGF	CHF	CJF	CKF
99901	99901-0020-10	SERVICE MANUAL,DUTCH	1	1	1	1	1	
99924	99924-1429-10	SERVICE MANUAL,ENGLISH	1	1	1	1	1	
99953	99953-1057-10	SERVICE MANUAL,GERMAN	1	1	1	1	1	
99954	99954-1069-10	SERVICE MANUAL,FRENCH	1	1	1	1	1	
99955	99955-1047-10	SERVICE MANUAL,ITALIAN	1	1	1	1	1	
99956	99956-1033-10	SERVICE MANUAL,SPANISH	1	1	1	1	1	
99976	99976-0011	OWNER'S MANUAL,EN/FR/DE,KLX110				1		
99976A	99976-0012	OWNER'S MANUAL,IT/ES/NL,KLX110				1		
99976B	99976-0074	OWNER'S MANUAL,EN/FR/DE,KLX110					1	
99976C	99976-0075	OWNER'S MANUAL,IT/ES/NL,KLX110					1	
99976D	99976-0132	OWNER'S MANUAL,EN/FR/DE,KLX110						1
99976E	99976-0133	OWNER'S MANUAL,IT/ES/NL,KLX110						1
99976F	99976-1845	OWNER'S MANUAL,EN/FR/DE	1					
99976G	99976-1846	OWNER'S MANUAL,IT/ES/NL	1					
99976H	99976-1923	OWNER'S MANUAL,EN/FR/DE			1			
99976I	99976-1924	OWNER'S MANUAL,IT/ES/NL			1			

Owner's Manual  
(Local Procurement)



Ref. No.	Language
(99976/B/D/F/H)	English
	French
	German
(99976A/C/E/G/I)	Italian
	Spanish
	Dutch

Service Manual



Ref. No.	Language
(99901)	Dutch
(99924)	English
(99953)	German
(99954)	French
(99955)	Italian
(99956)	Spanish

## '15-'19 KLX110 CFF/CGF/CHF/CJF/CKF

## Numerical Parts Index

Part No.	Fig No.	Part No.	Fig No.	Part No.	Fig No.	Part No.	Fig No.	Part No.	Fig No.	Part No.	Fig No.
11004-1338	1	13031-0721	7	13262-0913	10	16082-0010	16	26031-1105	37	41050-1031	28
11008-0184	1	13031-0722	7	13270-1754	17	16085-0136	19	27010-0085	19	41050-1082	29
11008-0890	1	13032-0074	7	13270-1800	14	16085-0593	19	311AB0500	31	41051-001	29
11009-1344	13	13032-0749	7	13270-1961	17	16097-1071	16	311BA0500	28	41053-0021	29
11010-1773	3	13034-0010	7	13271-0674	19	16115-1068	14	315BA1000	30	41053-1027	28
11012-1067	32	13035-0030	7	13271-0948	6	16158-0005	15	32085-0197	5	41068-0015	28
11012-1916	27	13035-0557	7	13271-0950	6	16187-1228	15	32085-1553	5	41068-0016	29
11012-1980	16	13037-0128	7	13280-0359	15	18020-0084	4	32099-0037	31	41085-1085	29
11013-1294	3	13042-1141	6	13280-0362	31	18087-0266	4	32099-0045	31	410AA0600	30
11055-1631	32	13059-0046	8	13280-0384	21	183BA0820	24	32151-1961	13	411AA0600	33
11055-1636	33	13066-0062	8	13280-1228	11	187AA0612	4	32160-0501-458	20	411AA1000	30
11056-0150	31	13070-0083	31	132BA0612	33	21003-0097	17	33001-0200-458	22	42033-1223	29
11056-0151	34	13070-1035	8	132BA0612	37	21007-0137	17	33032-0035	22	42036-1292	29
11060-1753	1	13070-1319	13	132BA0614	33	21039-1067	19	33040-1006	22	42041-0082	29
11060-1862	1	13078-0557	8	132BA0614	5	21066-0046	17	34003-0107-458	24	43001-0122	30
11061-0256	2	13086-1065	9	132BA0616	25	21119-0101	17	34024-0084-458	26	43007-0015	30
11061-0257	14	13087-1151	9	132BA0830	31	21121-1311	17	34028-1237	24	43011-0010	30
11061-0265	13	13088-1142	9	132BA0835	32	21130-1003	18	34028-1238	24	43049-1091	33
11061-0372	4	13089-1087	9	132BD0616	36	21132-005	18	35004-0148-290	25	44005-0039-458	32
11061-0426	14	13091-1782	9	132BD0625	14	21163-0049	19	35019-0091	25	44006-0038-458	32
11061-0874	15	13091-1787	9	132BD0630	1	214AB0512	31	35022-0079-266	25	44013-0018	32
11061-1112	4	13095-0128	9	132BD0635	14	214AB0518	31	35022-0079-290	25	44022-1346	32
11061-1148	4	13095-1403	9	132BD0645	14	220AA0308	33	36001-0204-266	35	44024-1071	32
11065-0800	1	130BA0520	18	132BD0650	13	220AA0514	17	36001-0205-266	35	44025-1061	32
11065-0811	15	130CA0622	8	132BD0675	13	220AA0514	31	36014-1258	35	44026-0147	32
112BA0520	9	13102-1135	9	14014-0037	12	220AA0608	17	39076-0022	19	44026-060	32
12004-0710	5	13102-1136	9	14020-1100	9	220AA0614	12	39156-0580	33	44029-022	32
12005-0713	5	13107-1142	19	14026-0070	14	220AA0614	13	39156-0581	33	44037-0105-458	32
12009-1073	5	13127-0661	10	14031-0119-GS	14	220AA0614	17	39184-0014	19	44039-0093	32
12011-1053	5	13128-0672	10	14032-0129	14	220AA0625	16	39193-1042	13	44044-023	32
12016-0001	5	13140-0036	11	14073-1819	3	220AA0625	17	41009-0231	27	44045-051	32
12020-0010	5	13140-0037	11	14073-1820	3	220AA0630	16	41009-0232	27	44046-025	32
12046-0059	6	13141-0055	11	14080-0080	13	220AB0508	4	41022-0037	27	44071-0639-458	32
12046-0591	6	13144-1043	10	14080-0705	13	220AB0522	31	41022-0038	27	44071-0640-458	32
12048-1164	6	13145-0049	11	14091-0873	31	220AD0612	13	41023-0021	27	45014-0272-10	23
12053-0164	14	13151-0050	11	14091-1447	1	220AD0630	19	41023-0022	27	45014-0272-710	23
12053-0165	22	13156-0144	12	14092-0029	14	222AB0412	31	41025-0391	27	46003-0175-458	31
12053-0185	6	13161-0019	12	15004-0066	15	223AA0406	19	41025-0393	27	46012-0101-458	31
12053-1459	22	13193-0008	9	16005-1091	15	223AA0408	19	41029-1067	27	46019-0023	31
12053-1460	22	13194-0013	19	16007-1103	15	223AA0516	19	41029-1068	27	46075-0072	31
12053-1461	6	13206-1006	8	16007-1187	5	223AB0610	4	41029-1329	27	46091-0226	31
120CA0610	6	13234-0033	6	16014-0013	15	235AA0510	13	41030-1182	27	46092-0037	31
120CA0620	6	13236-1256	12	16017-0018	15	235AA0514	11	41032-0009	27	46098-018	20
13001-0118	2	13236-1288	12	16021-1241	15	235AA0614	13	41034-0010	29	46123-1059	26
13002-0031	2	13260-1839	10	16025-1209	15	26006-0009	37	41034-1343	28	46123-1060	30
13008-0011	2	13260-1842	10	16030-0009	15	26011-0245	37	41035-0084	29	461DA1000	32
13024-0007	2	13260-1862	10	16031-1088	15	26011-0249	19	41035-1543	28	480J1600	8
13025-0008	2	13260-1986	10	16060-0021	1	26011-0289	37	41036-0261	9	480J1700	10
13027-0015	2	13262-0666	10	16073-1102	1	26012-0116	37	41048-1083	28	480J2400	10
13029-0020	2	13262-0667	10	16073-1108	1	26012-0725	37	41048-1141	29	481J3500	28



## '15-'19 KLX110 CFF/CGF/CHF/CJF/CKF

## Numerical Parts Index

Part No.	Fig No.	Part No.	Fig No.	Part No.	Fig No.	Part No.	Fig No.	Part No.	Fig No.	Part No.	Fig No.
482J5000	6	56075-2735	43	92015-1391	22	92049-1490	29	92110-1206	38	92153-1187	36
49002-0033	1	56075-2736	43	92015-1402	4	92051-003	14	92116-1009	20	92153-1199	32
49006-0075	31	56075-2737	43	92015-1653	32	92051-005	13	92139-1102	10	92153-1309	15
49006-1017	31	56075-2738	43	92015-1870	29	92055-0060	6	92143-1331	25	92153-1397	32
49047-1058	11	56075-4339	44	92022-1565	22	92055-0154	14	92144-1245	11	92153-1823	13
49078-1151	5	56075-4340	44	92022-165	33	92055-0194	14	92144-1590	12	92154-0325	19
49089-0081-290	33	56075-4341	44	92022-1690	33	92055-049	14	92144-1875	15	92154-0329	31
49106-0094	4	56075-4342	44	92022-315	8	92055-091	11	92144-1892	16	92154-0330	31
49107-1213	4	58029-0010-266	45	92025-1280	10	92055-1053	15	92145-0132	6	92154-0361	4
49107-1217	4	59051-0715	8	92026-1091	10	92055-1112	33	92145-0626	8	92154-0374	34
49107-1221	4	59051-1402	7	92026-1217	12	92055-1231	1	92145-0744	9	92154-0388	11
49118-0769	6	59101-0005	31	92026-1605	9	92055-1235	10	92145-0757	12	92154-0536	6
49118-0880	6	59231-0051	33	92027-1470	28	92055-1276	19	92145-0961	15	92154-0789	14
51001-0821	33	600A0600	20	92027-1472	28	92055-1419	33	92145-1481	15	92154-0976	26
51023-0041	33	601A6201	13	92027-2096	33	92055-1527	1	92150-1227	23	92154-1156	6
51048-0009	33	601A6203	13	92033-1028	32	92055-1528	1	92150-1339	21	92154-1196	6
510A3200	7	601B6004UG	29	92033-1060	10	92055-1541	15	92150-1339	22	92154-1297	14
52005-0019	14	601B6200UU	28	92033-1072	2	92055-1542	15	92150-1339	25	92154-2693	1
52010-1053	16	601B6300UU	28	92033-1247	1	92055-3018	16	92150-1339	3	92160-1036	12
53066-0456-49F	35	601B6301UG	29	92036-018	15	92057-0183	29	92150-1339	33	92161-0084	29
54005-0026	34	610A0408	11	92037-1142	15	92057-0610	6	92150-1340	45	92161-0100	23
54012-0643	34	670B1508	9	92037-1163	37	92058-0006	29	92150-1486	25	92161-0779	33
54017-1218	34	670B1510	13	92037-1305	3	92062-1090	13	92150-1506	25	92161-0845	25
55020-0527	21	670B1510	16	92037-1353	34	92063-1393	15	92150-1506	34	92161-0864	25
55020-0552	25	670B2012	30	92037-1401	15	92063-1394	15	92150-1527	22	92161-1523	33
55020-1784	36	670D2021	6	92037-1608	34	92063-1395	15	92150-1556	13	92170-1872	15
550AA2015	30	92001-1034	30	92037-1900	3	92063-1396	15	92150-1689	35	92171-1055	13
550AA2020	30	92001-1464	32	92041-1051	24	92063-1397	15	92150-1873	30	92171-1124	14
550S2520	28	92001-1695	28	92043-0099	13	92066-0724	14	92151-1209	29	92171-1487	18
550S2530	29	92001-1720	21	92043-0099	16	92066-0768	13	92152-0393	9	92172-0143	5
56019-120	38	92001-1751	21	92043-0100	1	92066-1081	21	92152-0427	25	92173-0166	32
56052-0968	40	92002-1237	12	92043-0100	2	92066-1565	14	92152-0427	33	92173-1512	37
56052-0968	41	92004-0030	13	92043-0147	30	92070-0023	18	92152-0427	45	92191-1700	15
56052-0968	42	92004-1284	1	92043-1143	24	92071-1184	18	92152-0789	21	92191-1704	3
56054-2249	43	92009-1057	15	92043-1385	11	92072-1229	33	92152-0789	35	92191-1724	13
56054-2249	44	92009-1104	8	92043-1542	30	92072-1414	37	92152-0998	10	92192-0884	33
56069-7415	40	92009-1109	5	92045-0771	7	92075-015	36	92152-1369	6	92192-1269	15
56069-7416	40	92009-1286	33	92045-1123	9	92081-076	12	92152-1370	9	92200-0449	4
56069-7417	40	92009-1530	33	92045-1171	13	92081-122	8	92152-1405	29	92200-0517	32
56069-7418	40	92009-1745	14	92045-1308	29	92081-1491	24	92152-1406	29	92200-0571	8
56071-0417	39	92009-1750	15	92045-1349	19	92081-1543	24	92152-1409	29	92200-0879	15
56071-0695	39	92009-1989	31	92046-1148	13	92081-1564	28	92153-0502	35	92210-0004	9
56075-0593	41	92009-1990	3	92047-014	20	92081-1688	30	92153-0525	9	92210-0176	7
56075-0594	41	92009-1998	31	92048-009	20	92081-1766	29	92153-0571	12	92210-0218	21
56075-0595	41	92015-042	30	92049-0051	14	92092-1088	22	92153-1120	29	92210-0218	25
56075-0596	41	92015-1137	5	92049-0052	28	92093-1054	32	92153-1139	23	92210-0276	28
56075-1863	42	92015-1151	1	92049-1069	32	92093-1079	19	92153-1184	1	92210-0593	31
56075-1864	42	92015-1188	26	92049-1349	5	92093-1560	3	92153-1184	14	92210-0594	31
56075-1865	42	92015-1222	20	92049-1429	13	92104-0004	38	92153-1184	16	92210-0606	4
56075-1866	42	92015-1367	29	92049-1465	19	92104-1003	38	92153-1185	6	92210-1080	23



Accessory	45
Air Cleaner	3
Brake Pedal	30
Cables	34
Camshaft(s)/Tensioner	6
Carburetor	15
Chassis Electrical Equipment	37
Clutch	9
Crankcase	13
Crankshaft	7
Cylinder Head	1
Cylinder/Piston(s)	2
Decals(CFF)	40
Decals(CGF)	41
Decals(CHF)	42
Decals(CJF)	43
Decals(CKF)	44
Engine Cover(s)	14
Engine Mount	21
Fenders	25
Footrests	24
Frame	20
Front Fork	32
Front Hub	28
Fuel Tank	33
Gear Change Drum/Shift Fork(s)	11
Gear Change Mechanism	12
Generator	17
Guard(s)	36
Handlebar	31
Ignition System	18
Kickstarter Mechanism	8
Labels	39
Manual	46
Muffler(s)	4
Oil Pump	16
Owner's Tools	38
Rear Hub	29
Side Covers/Chain Cover	35
Stand(s)	26

Starter Motor	19
Suspension/Shock Absorber	23
Swingarm	22
Tires	27
Transmission	10
Valve(s)	5

**Kawasaki Heavy Industries, Ltd.**  
Motorcycle & Engine Company

Part No. 99912-1881-05

©2018, Kawasaki Heavy Industries, LTD

**'15-'19 KLX110 CFF/CGF/CHF/CJF/CKF(EU) (KLX110)**