

CAMBO

WHERE TRADITION MEETS VISION

NEW
in
2016

MBX Studio Stand

Cambo is introducing the new **MBX** Studio stand. This new classed “Mid-range” studio stand will suit many photographers shooting with medium format camera systems. It is placed between the entry level Monostand and the heavier duty UST/UBS stand series.

The MBX stand combines several advantages of the various Cambo stands, such as a ball bearing movement for effortless vertical adjustment as well as rotation of the crossarm independently of vertical adjustments, derived from the Cambo UBS stand. In addition to that there is a precise geared lateral positioning of the crossarm.

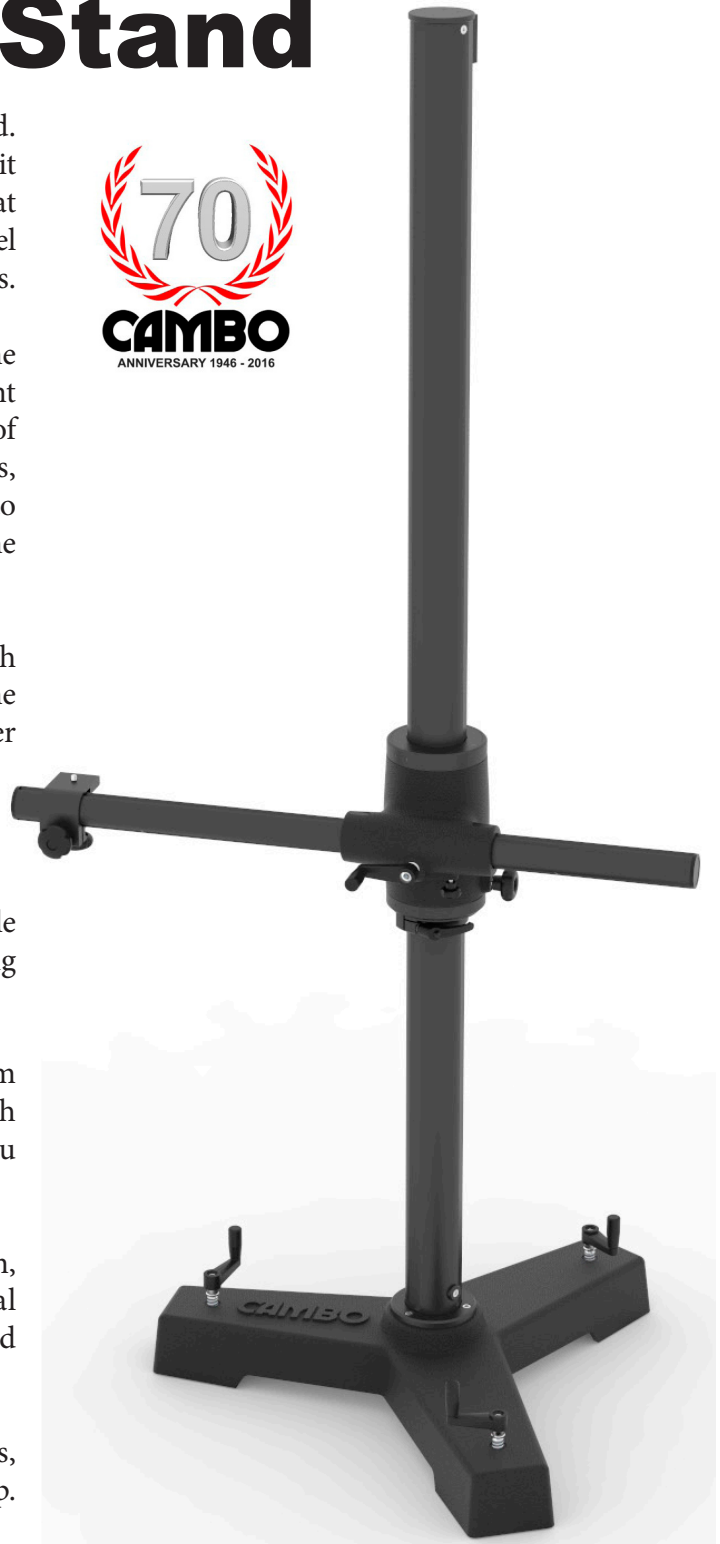
The crossarm is longer, it is now is 100cm long, which enables you to comfortably support a laptop tray on the crossarm and the camera can be moved into a better position when using the MBX for vertical shooting.

The iron casted base is an improved version of the heavy duty Monostand base, with added weight for even more stability. Optionally it will also be possible to mount the UST series single action base UCB using an adapter.

The MBX counterweight is optimised for a medium format camera with lens and tripod head. Although this can easily be adjusted -using MBX-7 weights- if you choose to add the laptop support tray with computer.

The crossarm comes with one 3/8” camera platform, more of these can be mounted. Using the new optional adapter MBX-9, UST accessories can also be attached to the end of the crossarm.

The MBX stand is standard available in two lengths, being 2,1 mtr(7') and 2,7 mtr(9') from floor to top. Customised lengths are available on request.



MBX Studio Stand specs:

Available height including base:	MBX-1	210 cm
	MBX-2	270 cm
Overall weight including base:	MBX-1	60 kg
	MBX-2	62 kg
Crossarm total length:	MBX-1	100 cm
	MBX-2	100 cm
Max. position off column center:	MBX-1	80 cm
	MBX-2	80 cm
Diameter foot print base:	MBX-1	90 cm
	MBX-2	90 cm
Rotation cross arm:	unlimited over 360°	
Diameter vertical column:	85 mm	
Counterweighted load capacity:	5 kg adjustable with increments of 1 kg	

Ordering information:

MBX-0 Base:	99131700
MBX-1 Column:	99131701 (includes crossarm with 3/8" mount)
MBX-2 Column:	99131702 (includes crossarm with 3/8" mount)
MBX-7 Weight:	99131707 (additional counterweight per 1 kg)



MBX-0

Additional accessories:

Mono-20 extra 3/8" mount:	99171214
Mono-5 accessory tray:	99131405
Mono-52 laptop tray:	99131452
Mono-25 low position arm:	99131452
MBX-9 mount for UST parts:	99131709



MONO-20



MONO-5



MONO-52



MONO-25



MBX-7



MBX-9

CAMBO Fotografische Industrie BV
Haatlanderdijk 45 - P.O.Box 200
NL-8260 AE Kampen
The Netherlands

Tel : +31(0)38 3314644
Fax : +31(0)38 3315110
Email: info@cambo.com
Web : www.cambo.com