

4 3 2 1

F

F

E

E

D

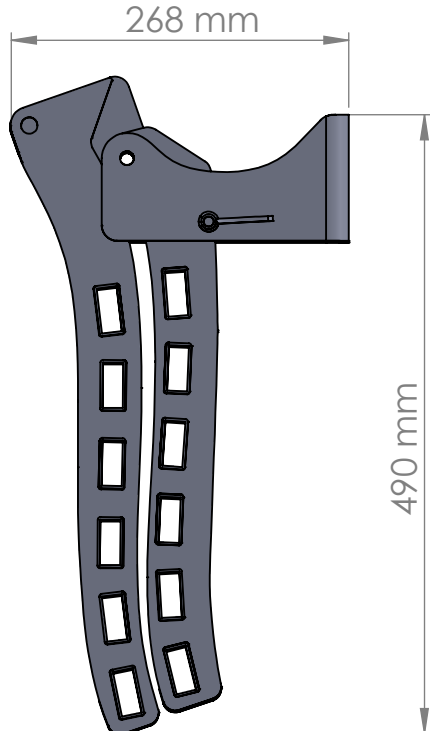
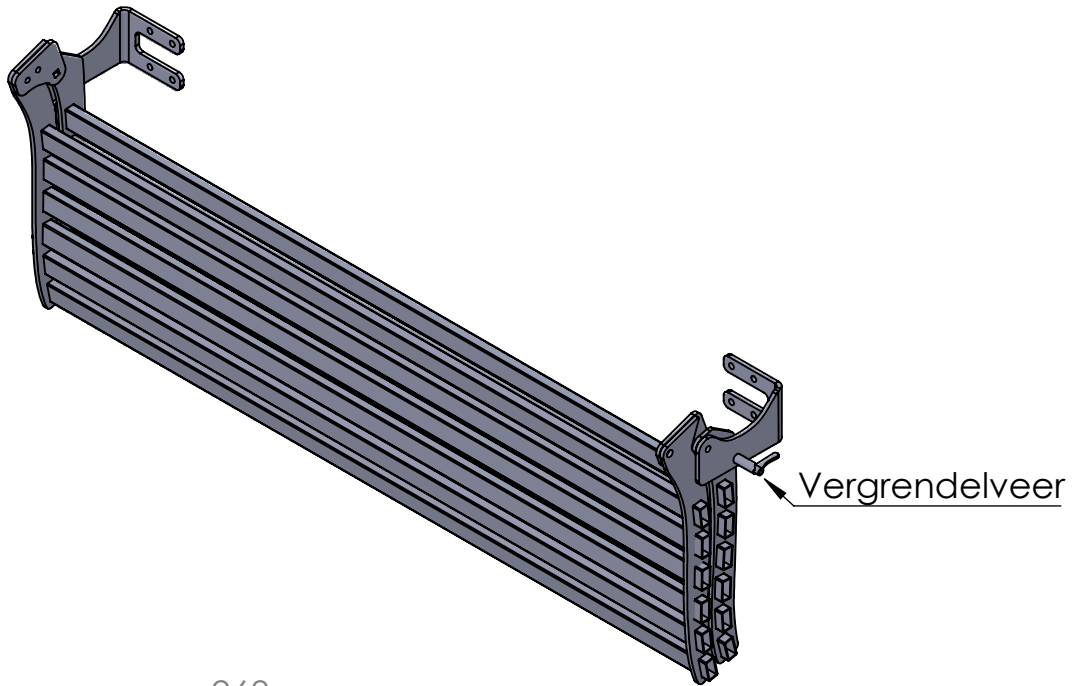
D

C

C

B

B



UNLESS OTHERWISE SPECIFIED:
 DIMENSIONS ARE IN MILLIMETERS
 SURFACE FINISH:
 TOLERANCES:
 LINEAR:
 ANGULAR:

FINISH:

DEBURR AND
 BREAK SHARP
 EDGES

DO NOT SCALE DRAWING

REVISION

	NAME	SIGNATURE	DATE
DRAWN			
CHK'D			
APPV'D			
MFG			
Q.A			

TITLE:
**Muurbankje staal volledig
 inklapbaar Doing.nl**

DWG NO. A4

WEIGHT: SCALE: 1:20

SHEET 1 OF 1

4 3 2 1

A

A