

4 3 2 1

F

F

E

E

D

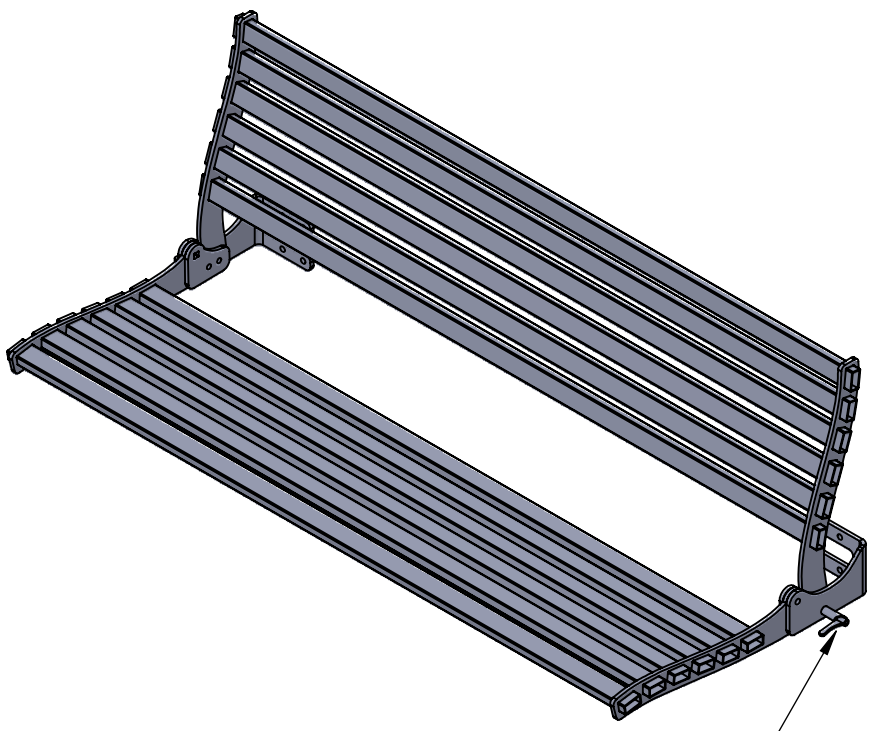
D

C

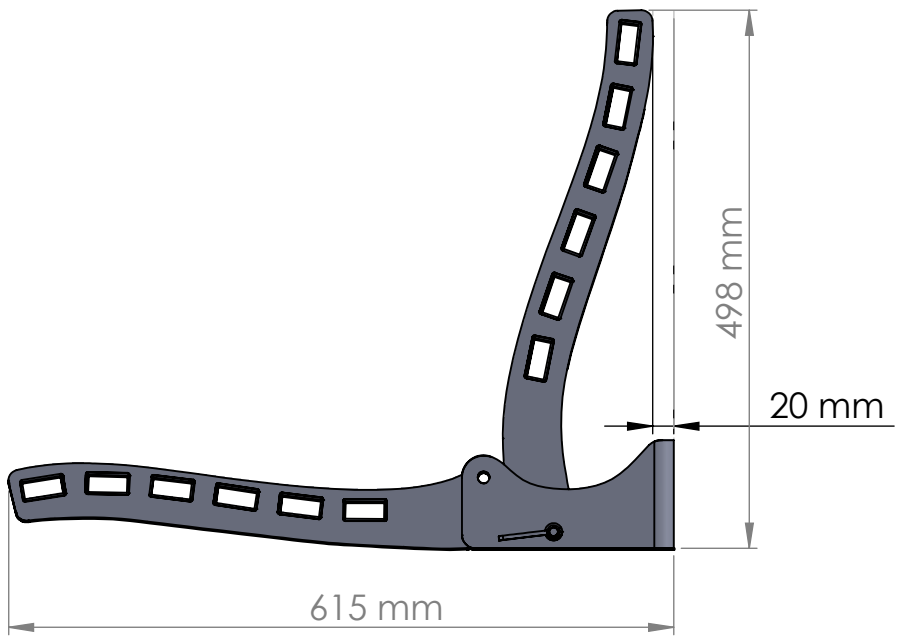
C

B

B



Vergrendelveer



UNLESS OTHERWISE SPECIFIED:
DIMENSIONS ARE IN MILLIMETERS
SURFACE FINISH:
TOLERANCES:
LINEAR:
ANGULAR:

FINISH:

DEBURR AND
BREAK SHARP
EDGES

DO NOT SCALE DRAWING

REVISION

	NAME	SIGNATURE	DATE
DRAWN			
CHK'D			
APPV'D			
MFG			
Q.A			

TITLE:
**Muurbankje staal volledig
inklappbaar Doing.nl**

DWG NO. _____

MATERIAL: _____

WEIGHT: _____

SCALE: 1:20

SHEET 1 OF 1

4 3 2 1

A

A

A4