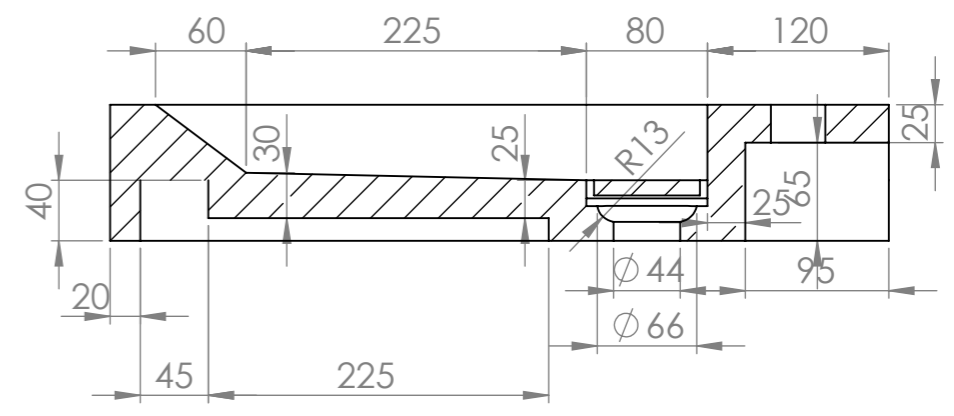
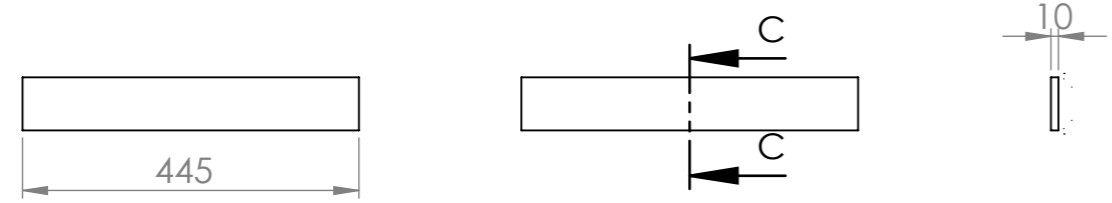
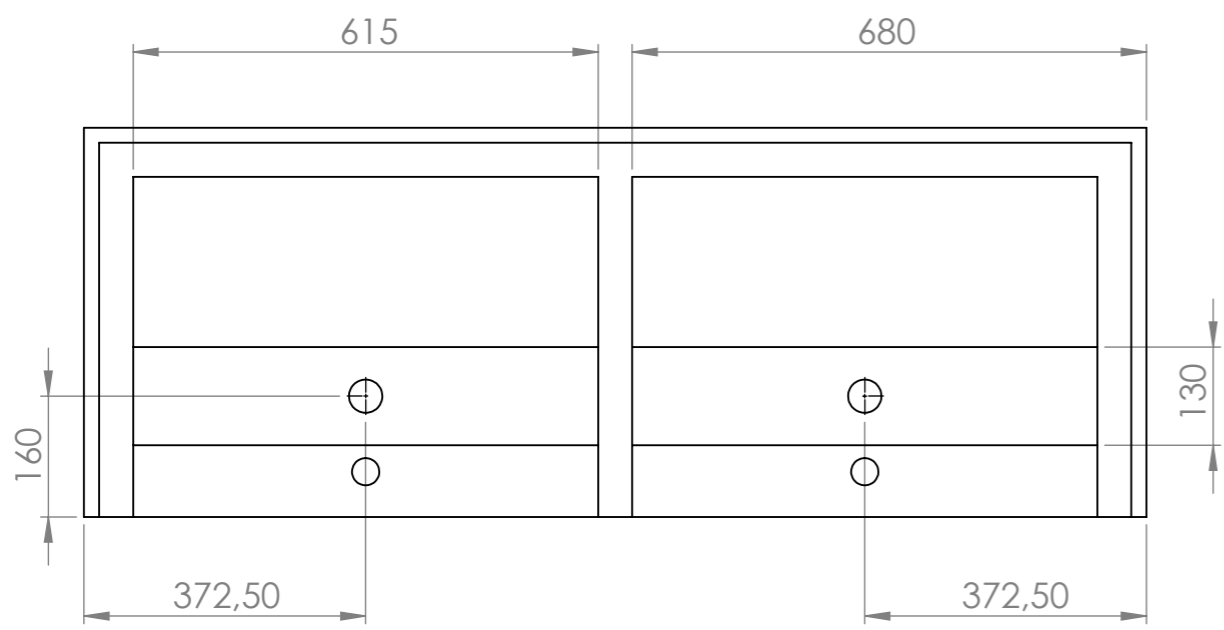


SECTION B-B



SECTION A-A  
SCALE 1 : 5



SECTION C-C

|   |            |                                   |   |              |
|---|------------|-----------------------------------|---|--------------|
| UNLESS OTHERWISE SPECIFIED:<br>DIMENSIONS ARE IN MILLIMETERS<br>SURFACE FINISH:<br>TOLERANCES:<br>LINEAR:<br>ANGULAR: | FINISH:    | DEBUR AND<br>BREAK SHARP<br>EDGES | DO NOT SCALE DRAWING                              | REVISION     |
|   | NAME       |                                   | TITLE:<br><b>Bellezza doppio</b>                  |              |
| DRAWN   | E. Anninga |                                   | <b>forzalaqua</b><br>To endure the power of water |              |
| APPV'D  | R. Straten |                                   |   |              |
| MFG   |            |                                   | DWG NO.   | A3           |
| Q.A   |            | MATERIAL:                         |   |              |
|   |            | WEIGHT:                           | SCALE: 1: 8                                       | SHEET 1 OF 1 |