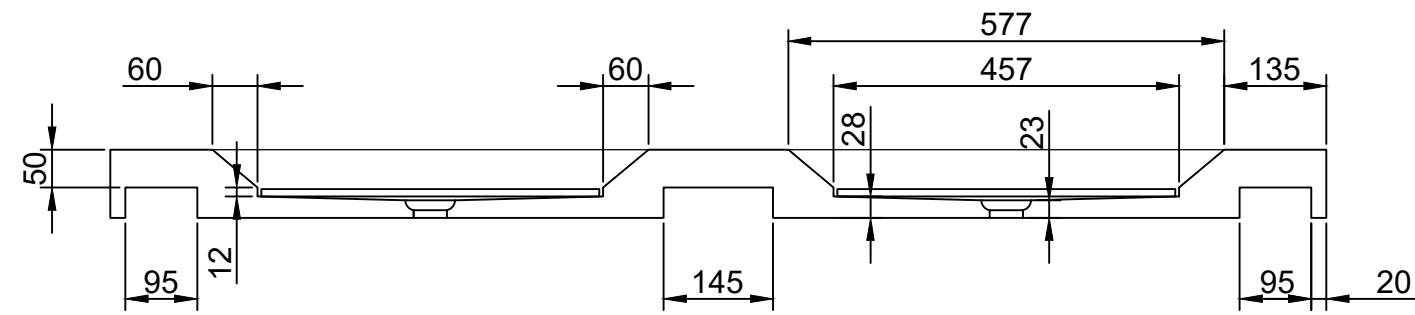
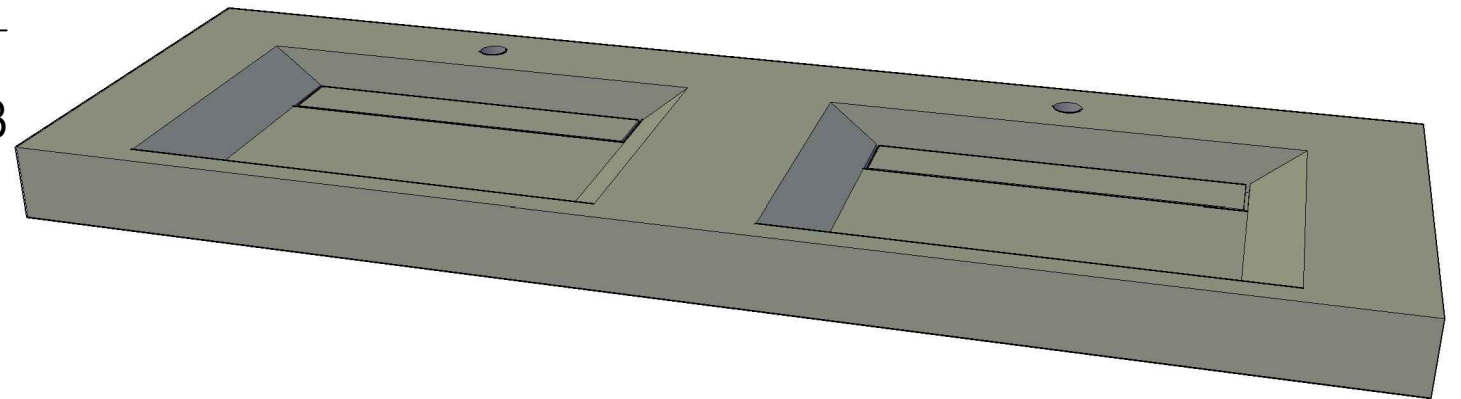
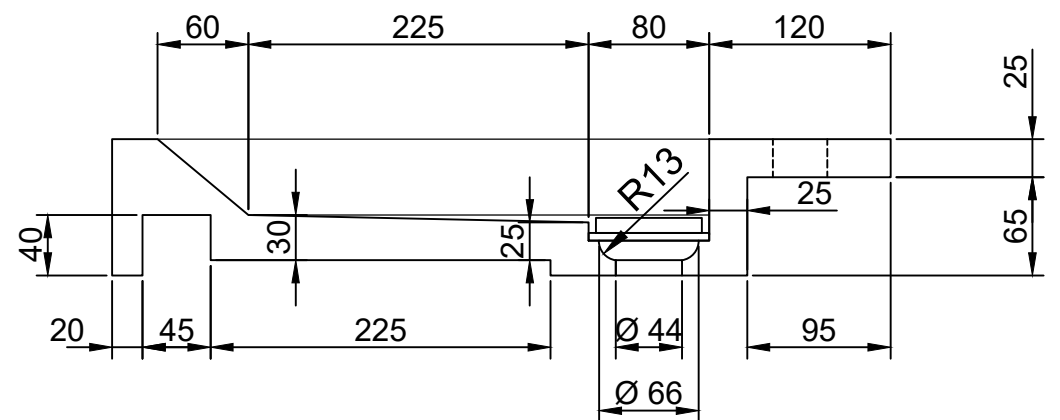


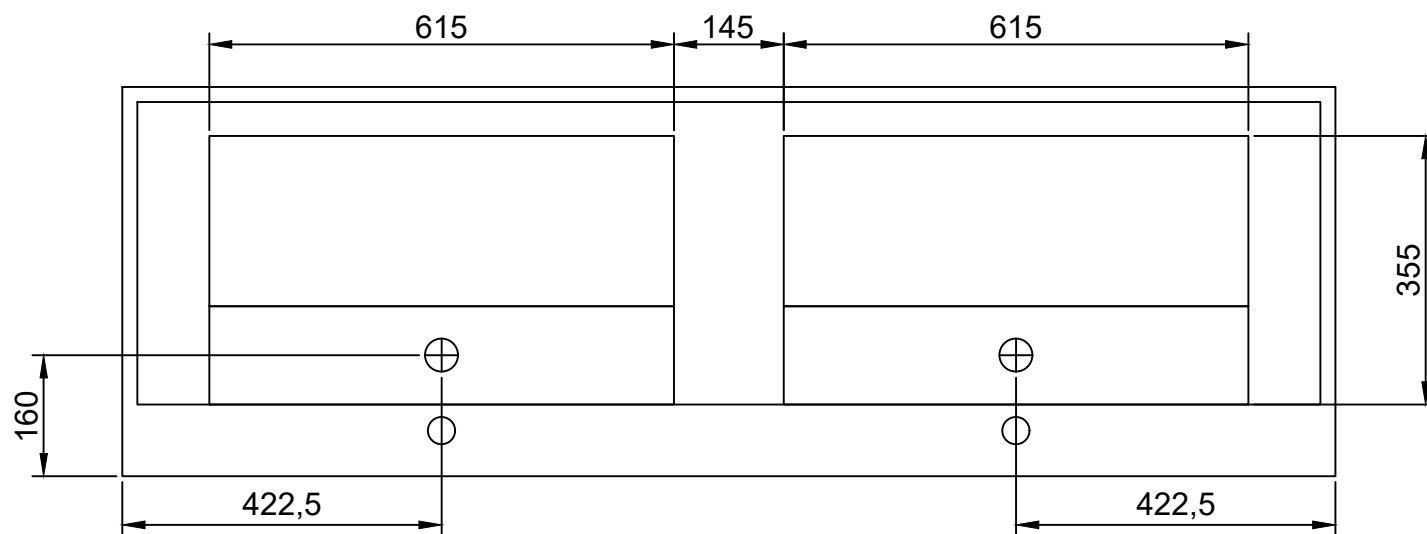
TOP VIEW



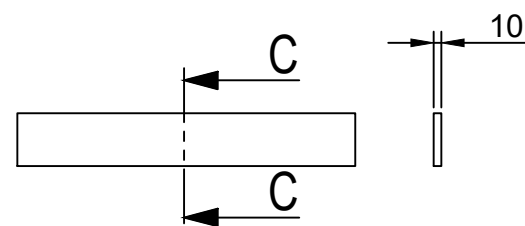
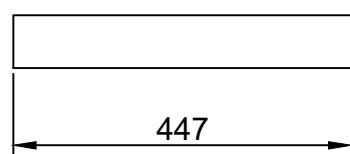
SECTION B-B



SECTION A-A  
SCALE 1:5



BOTTOM VIEW



SECTION C - C

UNLESS OTHERWISE SPECIFIED: DIMENSIONS ARE IN MILLIMETERS SURFACE FINISH: TOLERANCES: LINEAR: +/- 1 millimeter ANGULAR: +/- 1 degree	FINISH: honed	DEBUR AND BREAK SHARP EDGES	DO NOT SCALE DRAWING	REVISION
			TITLE: Bellezza doppio 1605	
	NAME		forzalaqua	
DRAWN	FKL			
APPV'D	J. Bardoel			
MFG				
QA		MATERIAL: blue stone	DWG NO. 100296	A3
			SCALE: 1:5 / 10	SHEET 1 OF 1