
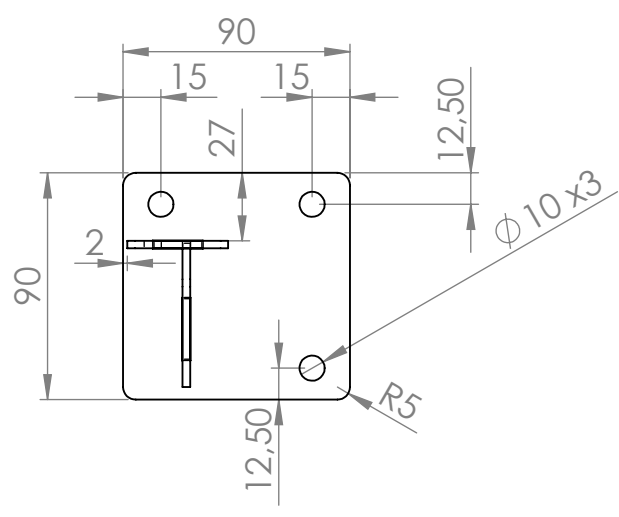
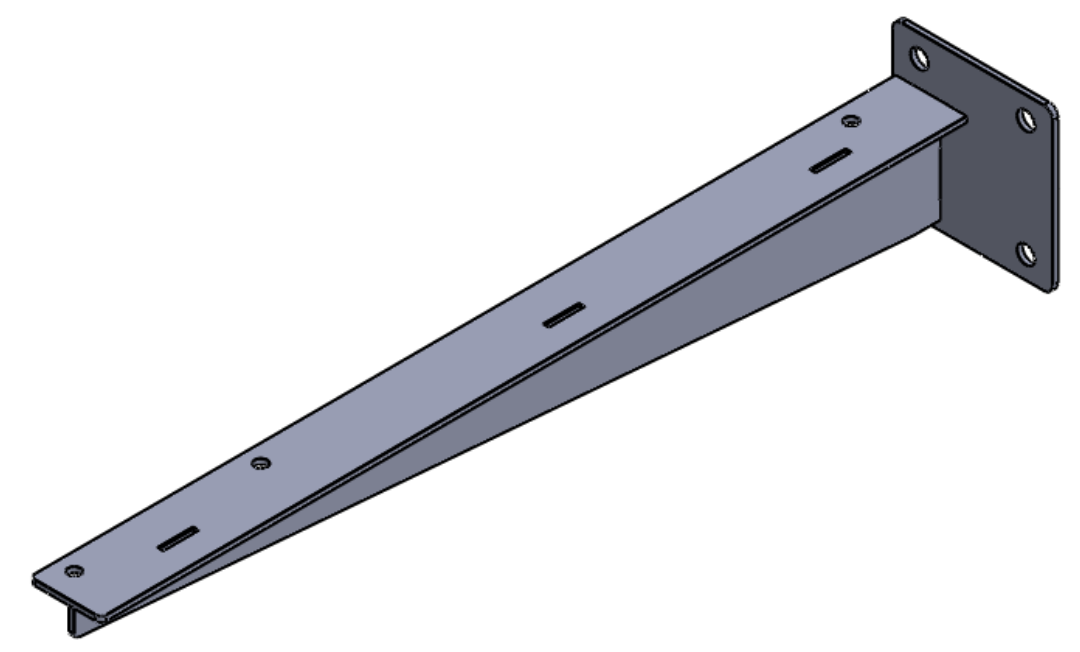
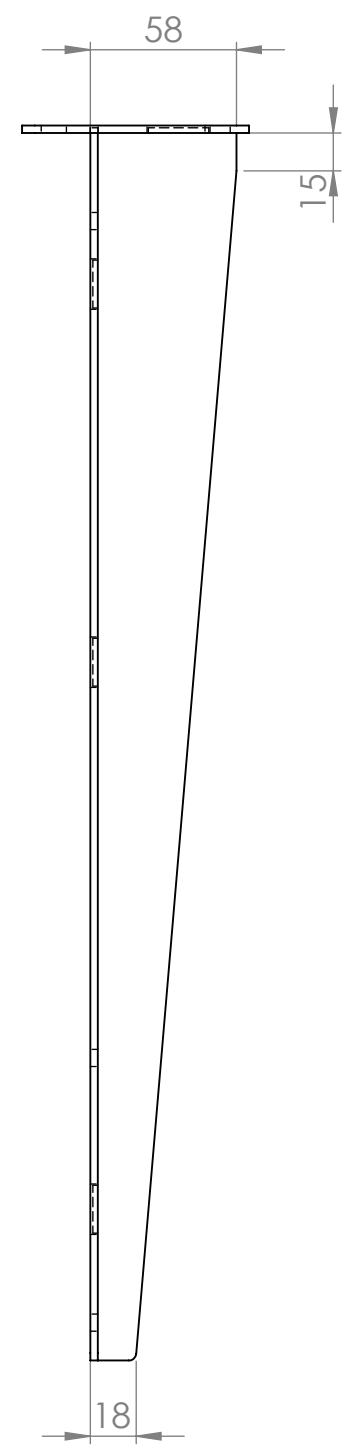
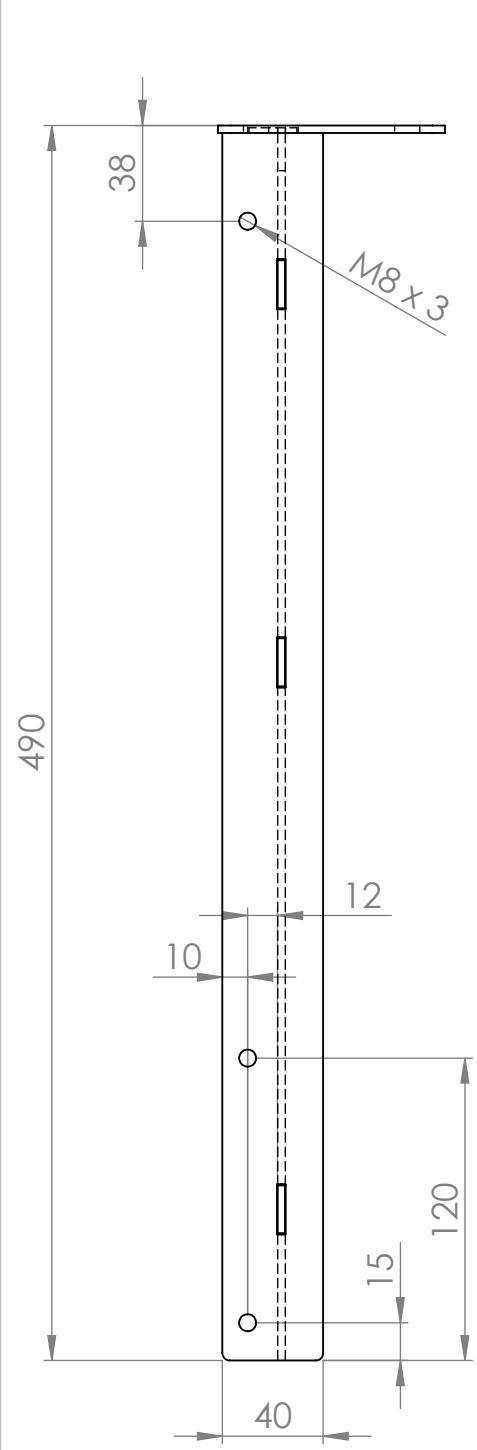


UNLESS OTHERWISE SPECIFIED: DIMENSIONS ARE IN MILLIMETERS SURFACE FINISH: TOLERANCES: LINEAR: ANGULAR:	FINISH:	DEBUR AND BREAK SHARP EDGES	DO NOT SCALE DRAWING	REVISION
			TITLE:	 To endure the power of water
DRAWN	NAME		DWG NO.	
APPV'D	E. Anninga		200010	
MFG	R. Straten			
Q.A		MATERIAL:	SCALE: 1:8	SHEET 1 OF 2
		WEIGHT: 58.4 kg (2.9 p)		



UNLESS OTHERWISE SPECIFIED: DIMENSIONS ARE IN MILLIMETERS SURFACE FINISH: TOLERANCES: LINEAR: ANGULAR:	FINISH:	DEBUR AND BREAK SHARP EDGES	DO NOT SCALE DRAWING	REVISION
	NAME		TITLE:	
DRAWN	E. Anninga		 To endure the power of water	
APPV'D	R. Straten			
MFG			DWG NO.	A3
Q.A		MATERIAL:	200010	
		WEIGHT: 58.4 kg (2.9 p)	SCALE: 1: 8	SHEET 2 OF 2