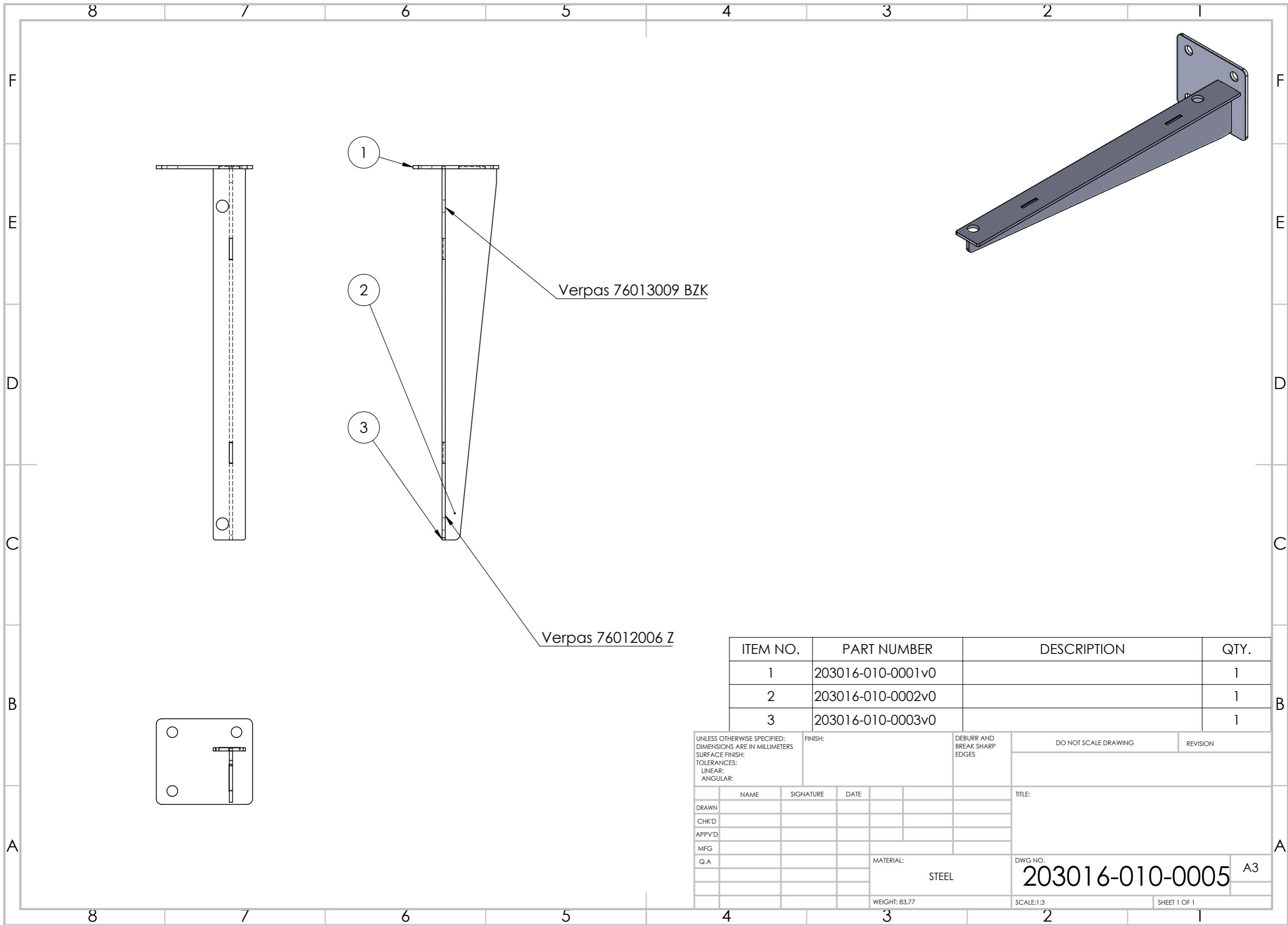


Verpas 76013009 BZK

Verpas 76012006 Z

| ITEM NO. | PART NUMBER       | DESCRIPTION | QTY. |
|----------|-------------------|-------------|------|
| 1        | 203016-010-0010v0 |             | 1    |
| 2        | 203016-010-0011v0 |             | 1    |
| 3        | 203016-010-0012v0 |             | 1    |

|   |      |           |                                    |                      |                                 |
|---|------|-----------|------------------------------------|----------------------|---------------------------------|
| UNLESS OTHERWISE SPECIFIED:<br>DIMENSIONS ARE IN MILLIMETERS<br>SURFACE FINISH:<br>TOLERANCES:<br>LINEAR:<br>ANGULAR: |      | FINISH:   | DEBURR AND<br>BREAK SHARP<br>EDGES | DO NOT SCALE DRAWING | REVISION                        |
| DRAWN   | NAME | SIGNATURE | DATE                               | TITLE:               |                                 |
| CHK'D   |      |           |                                    |                      |                                 |
| APPV'D  |      |           |                                    |                      |                                 |
| MFG   |      |           |                                    |                      |                                 |
| Q.A   |      |           |                                    | MATERIAL:            | DWG NO.                         |
|   |      |           |                                    | STEEL                | 203016-010-0015v0 <sup>A3</sup> |
|   |      |           |                                    | WEIGHT: 0.00         | SCALE:1:3                       |
|   |      |           |                                    |                      | SHEET 1 OF 1                    |



| ITEM NO. | PART NUMBER       | DESCRIPTION | QTY. |
|----------|-------------------|-------------|------|
| 1        | 203016-010-0001v0 |             | 1    |
| 2        | 203016-010-0002v0 |             | 1    |
| 3        | 203016-010-0003v0 |             | 1    |

|   |           |         |   |                      |          |
|---|-----------|---------|---|----------------------|----------|
| UNLESS OTHERWISE SPECIFIED:<br>DIMENSIONS ARE IN MILLIMETERS<br>SURFACE FINISH:<br>TOLERANCES:<br>LINEAR:<br>ANGULAR: |           | FINISH: | DEBURR AND<br>BREAK SHARP<br>EDGES                          | DO NOT SCALE DRAWING | REVISION |
| NAME  | SIGNATURE | DATE    | TITLE:  |                      |          |
| DRAWN   |           |         | DWG NO. <b>203016-010-0005</b> A3<br>SCALE:1:3 SHEET 1 OF 1 |                      |          |
| CHK'D   |           |         |   |                      |          |
| APPV'D  |           |         |   |                      |          |
| MFG   |           |         |   |                      |          |
| Q.A   |           |         |   |                      |          |
| MATERIAL:<br><b>STEEL</b>   |           |         | WEIGHT: 83.77   |                      |          |