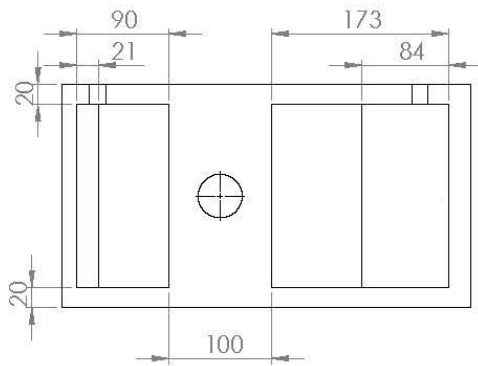


SECTION A-A

SECTION B-B



UNLESS OTHERWISE SPECIFIED: DIMENSIONS ARE IN MILLIMETERS SURFACE FINISH: TOLERANCES: LINEAR: ANGULAR:		FINISH:	DEBUR AND BREAK SHARP EDGES	DO NOT SCALE DRAWING	REVISION
		TITLE: Venetia			
		forzalaqua To endure the power of water			
DRAWN	NAME			DWG NO.	A3
APPVD	E. Anninga				
MFG	R. Strahan				
Q.A.		MATERIAL:			
				SCALE: 1:8	SHEET 1 OF 1