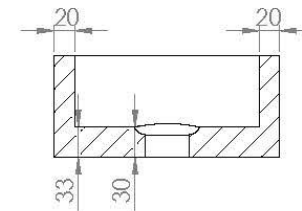
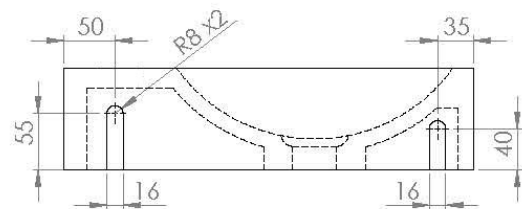
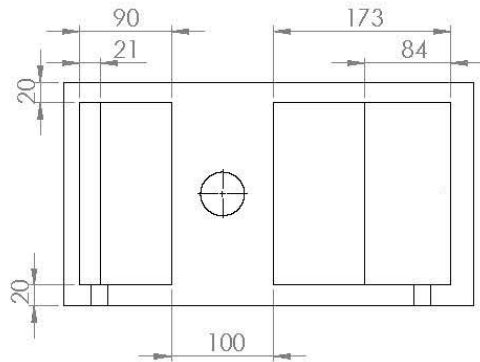


SECTION A-A



SECTION B-B

UNLESS OTHERWISE SPECIFIED: DIMENSIONS ARE IN MILLIMETERS SURFACE FINISH: TOLERANCES: LINEAR: ANGULAR:		FINISH:	DEBUR AND BREAK SHARP EDGES	DO NOT SCALE DRAWING	REVISION
		TITLE: <b>Venetia</b> <b>forzalaqua</b> To endure the power of water			
DRAWN	NAME				
APPVD	E. Anninga				
MFG	R. Strahan				
Q.A	MATERIAL:				
		DWG NO.		A3	
		SCALE: 1:8		SHEET 1 OF 1	