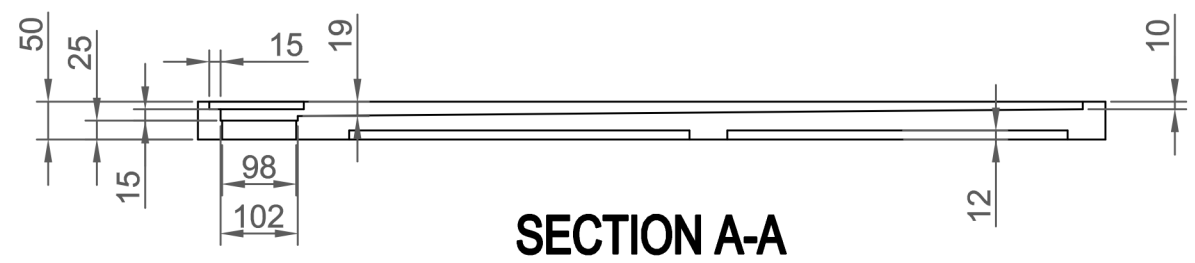
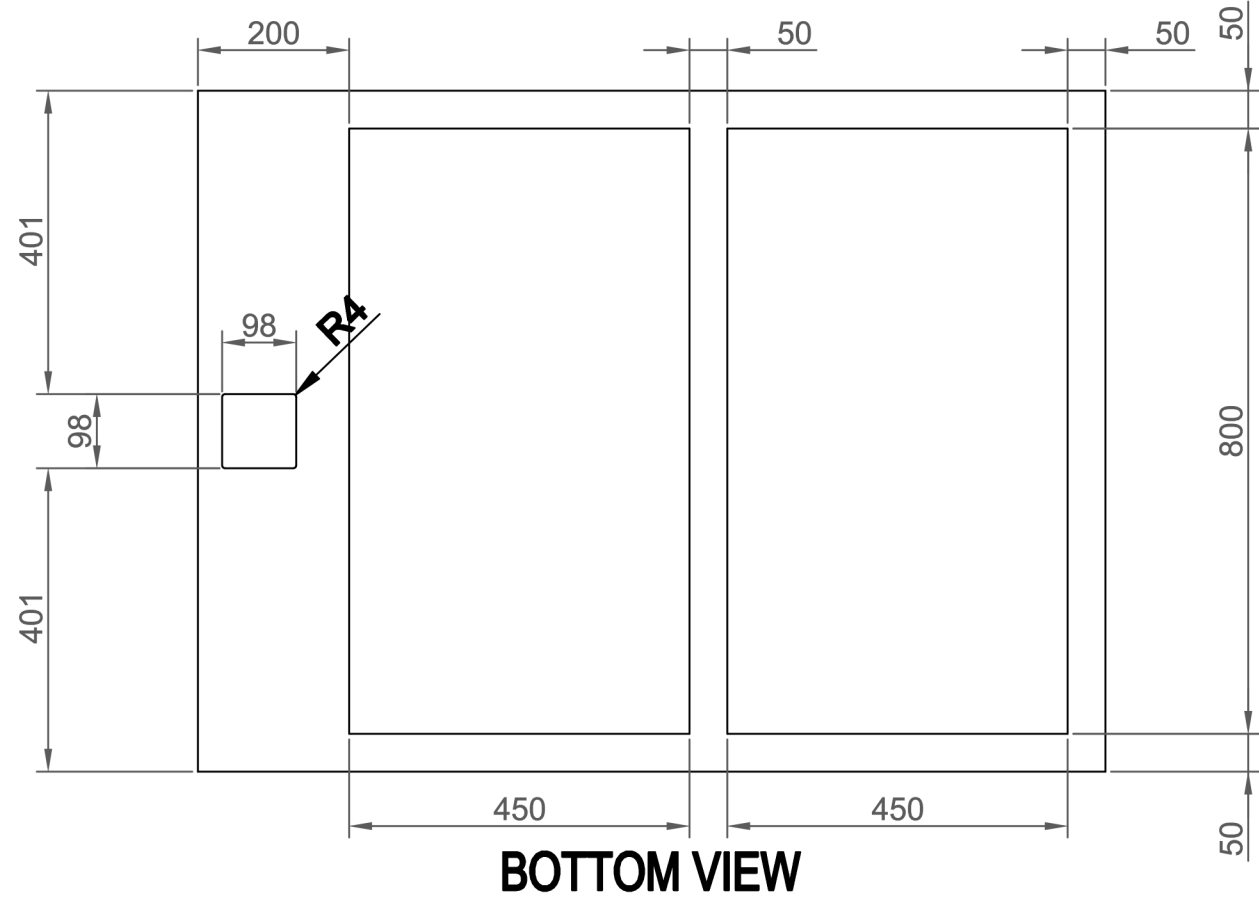


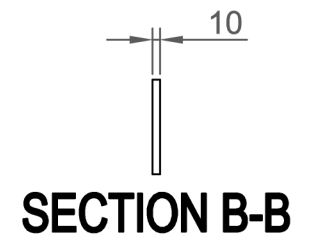
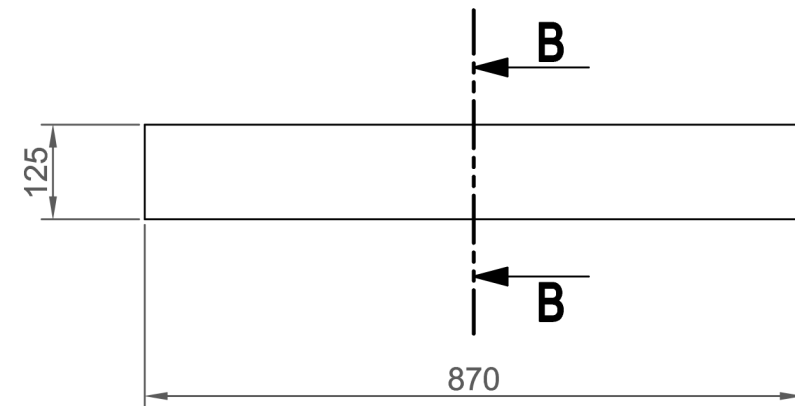
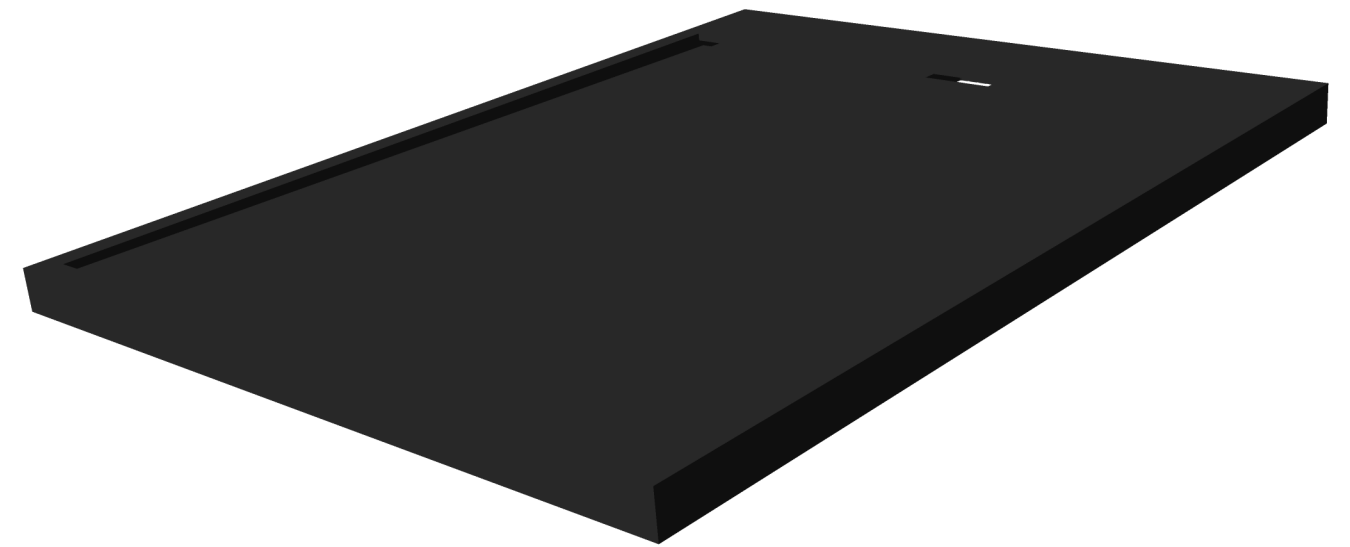
TOP VIEW



SECTION A-A



BOTTOM VIEW



SECTION B-B

UNLESS OTHERWISE SPECIFIED: DIMENSIONS ARE IN MILLIMETERS SURFACE FINISH: TOLERANCES: LINEAR: +/- 1 millimeter ANGULAR: +/- 1 degree		FINISH:	DEBUR AND BREAK SHARP EDGES	DO NOT SCALE DRAWING	REVISION
© all rights reserved Forzalaqua				TITLE: Fresco 120	
forzalaqua					
DRAWN	NAME				
APPV'D	FKL				
MFG		MATERIAL:		DWG NO.	A3
QA				SCALE:	SHEET 1 OF 1