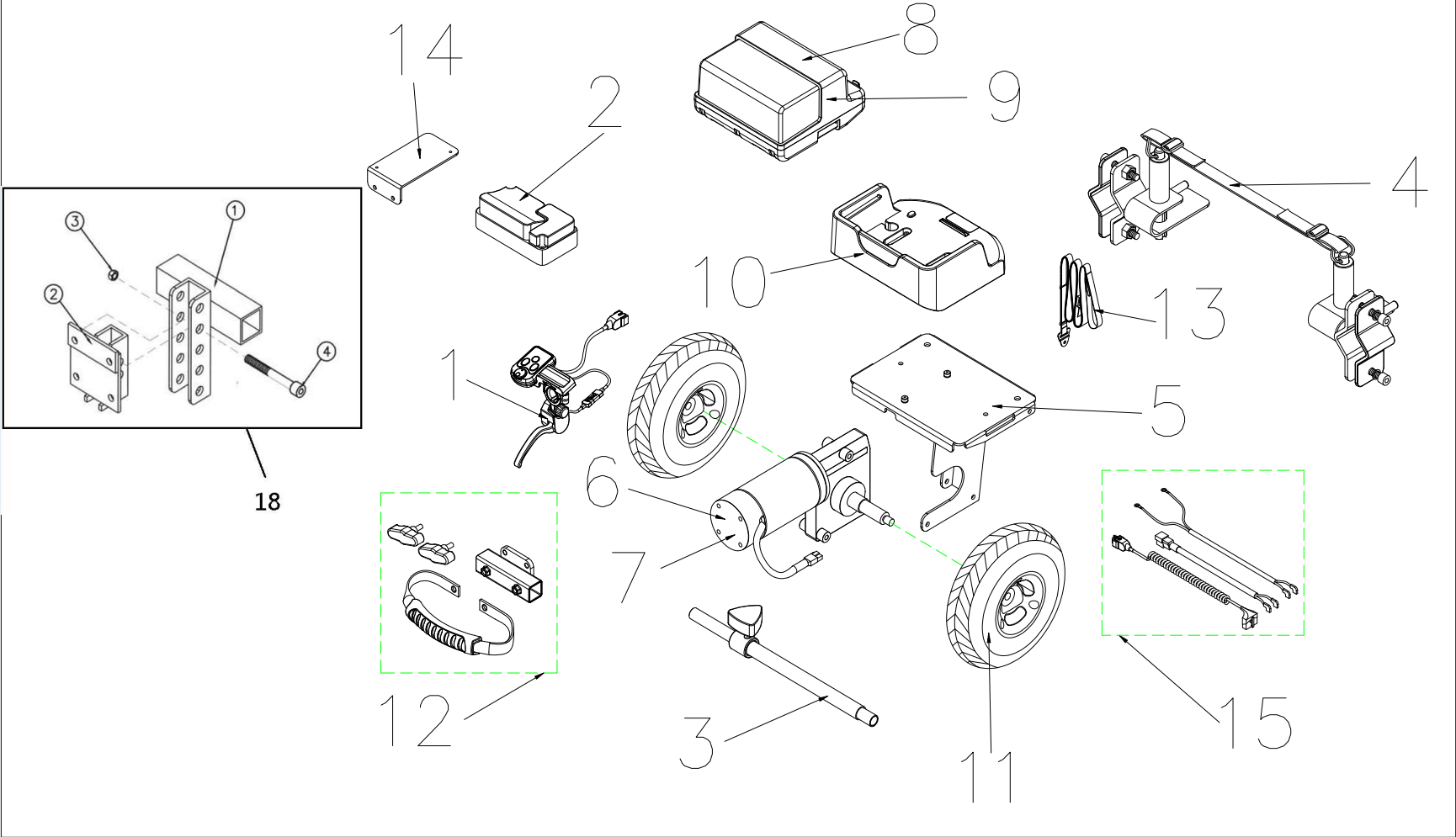


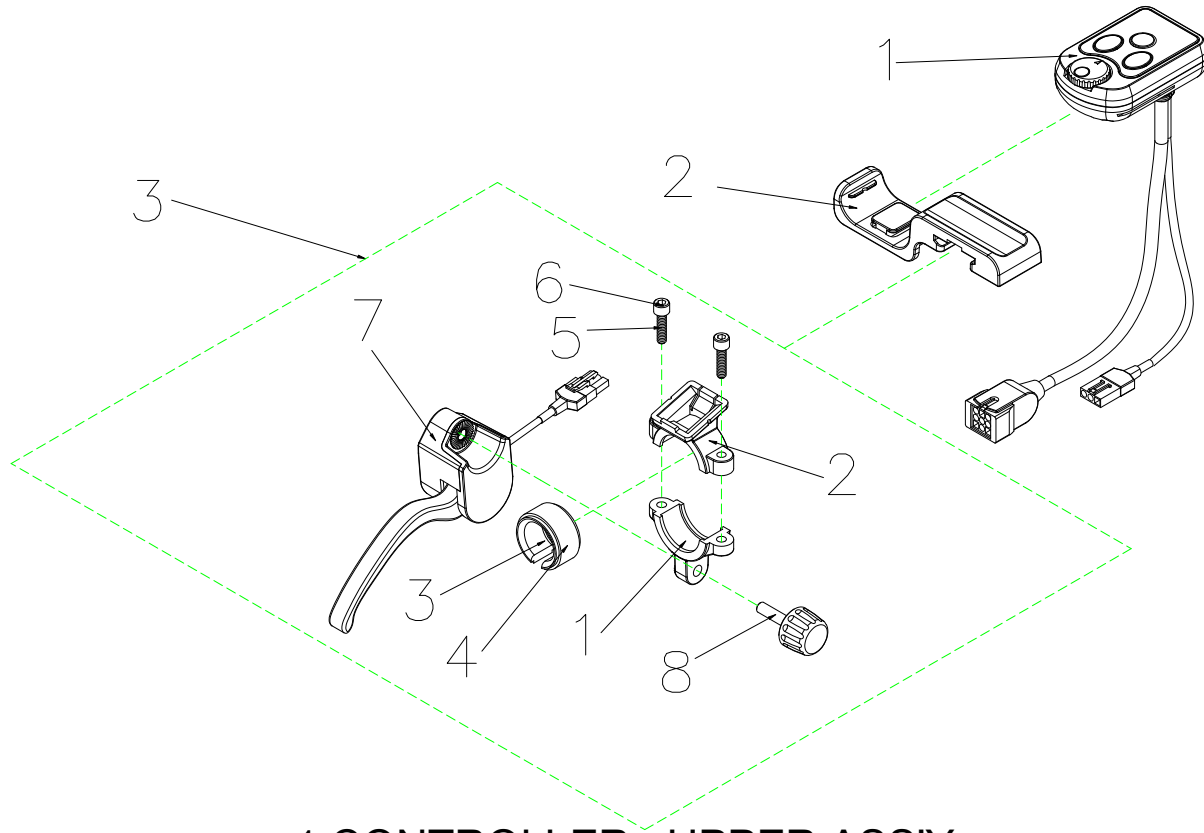
PS-HA Parts List (2015/12/08)



PS-HA Parts List (2015/12/08)

Fig&Index NO.	Parts No.	Parts Name	QTY/CAR	UNIT PRICE	Remark
1	S10-058-00100	CONTROLLER , UPPER ASS'Y	1 SET		
2	C10-009-00100	CONTROLLER, P&G 45A	1		
3	S01-046-00101	TELESCOPIC BAR ASS'Y	1 SET		
4	S01-046-00200	BRACKET ASS'Y	1 SET		
5	S01-046-00300	MOTOR HOLDER ASS'Y	1 SET		
6	S09-046-00200	GEAROX ASS'Y (W/I MOTOR BOLT)-DUAL WHEEL, 150W5300RPM/25 : 1	1 SET		
7	S09-046-00300	GEAROX ASS'Y (W/I MOTOR BOLT)-DUAL WHEEL , 200W5300RPM/25 : 1	1 SET		
8	S17-058-00100	BATTERY BOX ASS'Y , W/I BATTERY	1 SET		
9	S17-058-00200	BATTERY BOX ASS'Y , W/O BATTERY	1 SET		
10	S26-058-00100	BATTERY TRAY ASS'Y	1 SET		
11	C06-046-00100	TIRE , 200x50	1		
12	S01-046-00400	MOTOR STRAP ASS'Y	1 SET		
13	S31-058-00100	LIFT-UP STRAP ASS'Y	1 SET		
14	S01-046-00500	CONTROLLER HOLD ASS'Y	1 SET		
15	S18-058-00100	PS-HA WIRE HARNESS ASS'Y	1 SET		
16		ACCESSORIES			
17		LABEL ACCESSORIES			
18	S01-046-00700	HEIGHT ADJUSTMENT	1 SET		

PS-HA Parts List (2015/12/08)

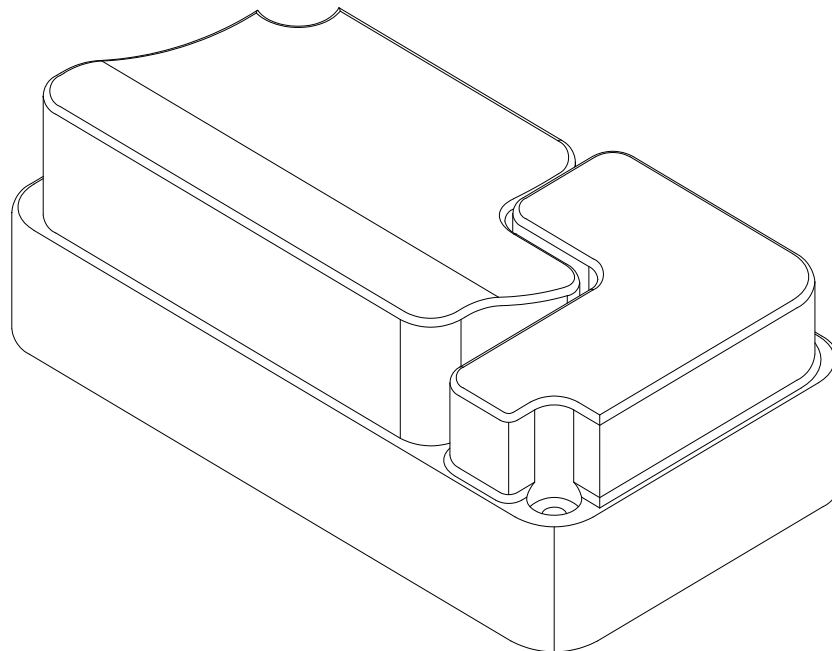


1.CONTROLLER , UPPER ASS'Y

PS-HA Parts List (2015/12/08)

Fig&Index NO.	Parts No.	Parts Name	QTY/CAR	UNIT PRICE	Remark
1	S10-058-00100	CONTROLLER , UPPER ASSY	1 SET		
1-1	C10-058-00101	CONTROLLER UPPER HANDSET	1		
1-2	C26-058-01200	HOLDER, CONTROLLER UPPER HANDSET	1		
1-3	S12-058-00100	SPEED DIAL ASS'Y	1 SET		
1-3-1	C26-058-01400	BRACKET, HANDLEBAR - UPPER	1		
1-3-2	C26-058-01300	BRACKET, HANDLEBAR - LOWER	1		
1-3-3	C26-058-01500	O-RING22.5	1		
1-3-4	C26-058-01601	O-RING25.4	1		
1-3-5	9021050250803	HEXAGON BOLT,M5x25L	2		
1-3-6	9021050200803	HEXAGON BOLT,M5x20L	2		
1-3-7	C12-058-00100	SPEED DIAL CASE	1		
1-3-8	C26-058-01701	BOLT, SPEED DIAL CASE	1		

PS-HA Parts List (2015/12/08)

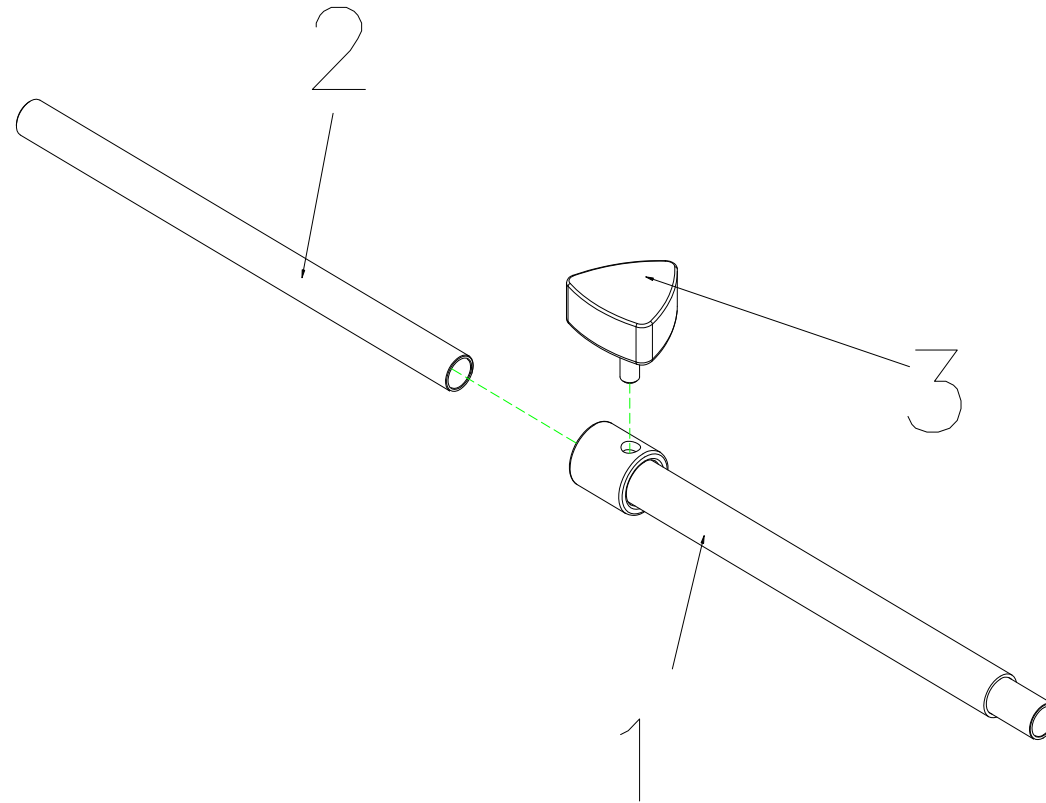


**2.CONTROLLER ,
P&G 45A**

PS-HA Parts List (2015/12/08)

Fig&Index NO.	Parts No.	Parts Name	QTY/CAR	UNIT PRICE	Remark
2	C10-009-00100	CONTROLLER, P&G 45A	1		

PS-HA Parts List (2015/12/08)

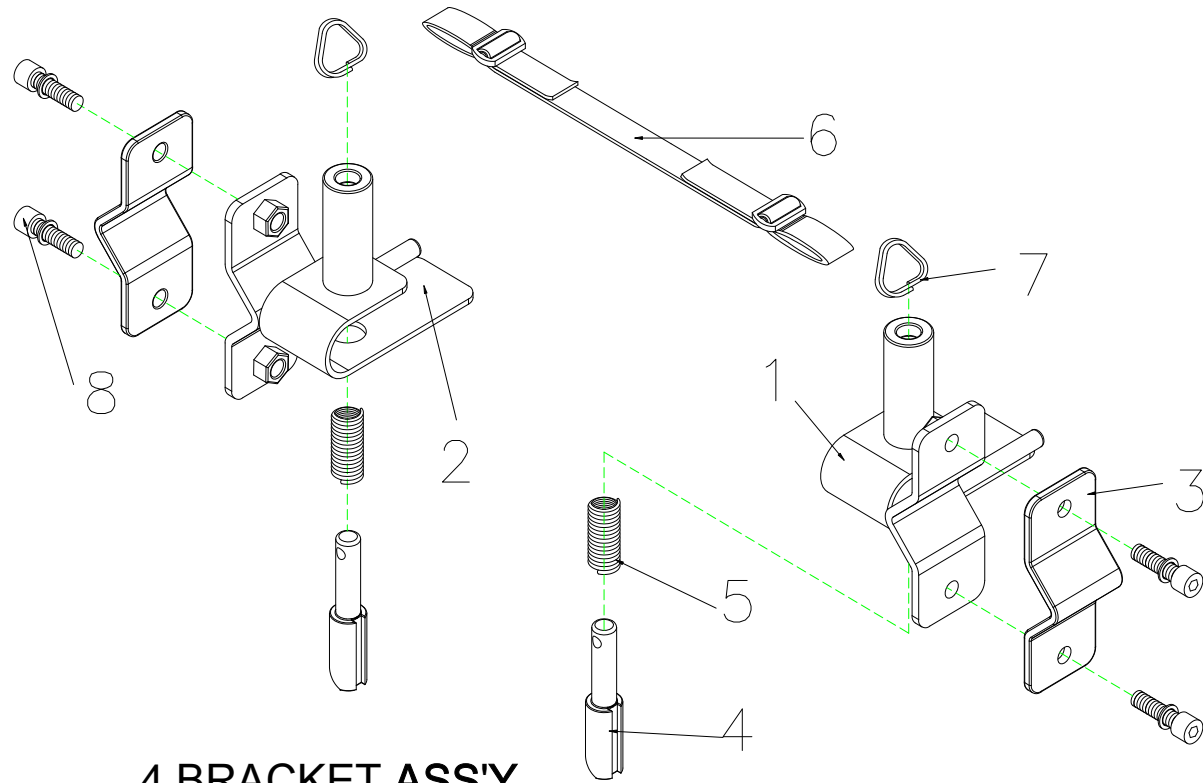


3. TELESCOPIC BAR ASS'Y

PS-HA Parts List (2015/12/08)

Fig&Index NO.	Parts No.	Parts Name	QTY/CAR	UNIT PRICE	Remark
3	S01-046-00101	TELESCOPIC BAR ASS'Y	1 SET		
3-1	C01-046-00701	TELESCOPIC BAR, OUTER TUBE	1		
3-2	C01-046-00801	TELESCOPIC BAR, INNER TUBE	1		
3-3	C30-001-10202	BOLT,W/I KNOB,M8x25	1		

PS-HA Parts List (2015/12/08)

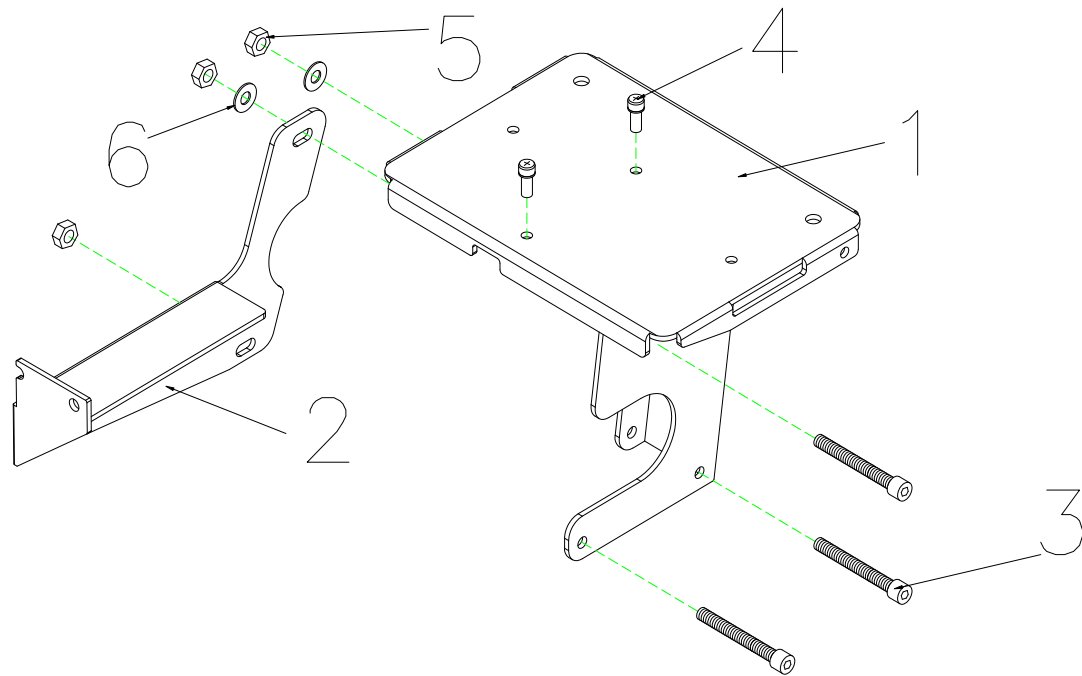


4.BRACKET ASS'Y

PS-HA Parts List (2015/12/08)

Fig&Index NO.	Parts No.	Parts Name	QTY/CAR	UNIT PRICE	Remark
4	S01-046-00200	BRACKET ASS'Y	1 SET		
4-1	C01-046-00900	BRACKET LEFT	1		
4-2	C01-046-01000	BRACKET RIGHT	1		
4-3	C01-046-01101	SPRUNG CLIP	2		
4-4	C01-046-01200	OUTER BRACKET	2		
4-5	C01-046-01400	SPRING,(SWT ψ 0.9X ψ 10X2 ϕ L)	2		
4-6	C31-046-00301	STRAP VELCRO SET	1		
4-7	C01-046-01301	SPRING	2		
4-8	9022060301001	HEXAGON BOLT,M6x30	4		

PS-HA Parts List (2015/12/08)

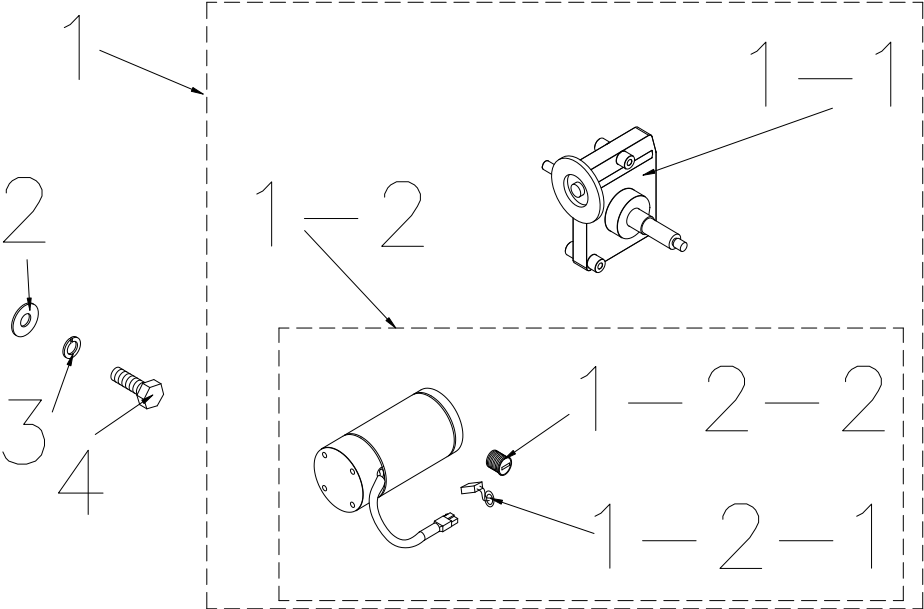


5.MOTOR HOLDER ASS'Y

PS-HA Parts List (2015/12/08)

Fig&Index NO.	Parts No.	Parts Name	QTY/CAR	UNIT PRICE	Remark
5	S01-046-00300	MOTOR HOLDER ASSY	1 SET		
5-1	C01-046-00501	MOTOR PLATE	1		
5-2	C01-046-01601	MOTOR HOLDER	1		
5-3	9035060601003	HEXAGON BOLT,M6xP1.0x60L	3		
5-4	9029040120002	BOLT,M4x12	2		
5-5	9201060601003	LOCK NUT,M6x1.0	3		
5-6	9214060100133	WASHER,M6	2		

PS-HA Parts List (2015/12/08)

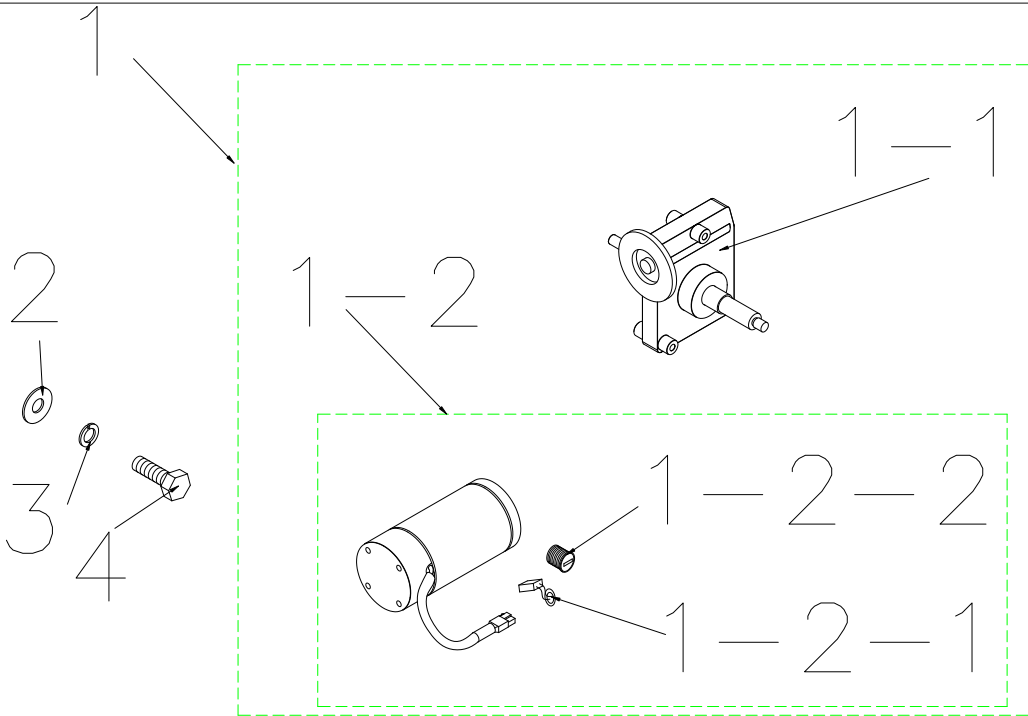


6.GEARBOX ASS'Y (W/I MOTOR BOLT) -SINGLE WHEEL

PS-HA Parts List (2015/12/08)

Fig&Index NO.	Parts No.	Parts Name	QTY/CAR	UNIT PRICE	Remark
6	S09-046-00200	GEAROX ASS'Y (W/I MOTOR BOLT)-DUAL WHEEL, 150W5300RPM/25 : 1	1 SET		
6-1	C09-046-00100	GEAROX ASS'Y (W/I MOTOR BOLT)-DUAL WHEEL , 150W5300RPM/25 : 1	1		
6-1-1	C09-046-00300	GEARBOX ONLY(W/O MOTOR)-DUAL WHEEL	1		
6-1-2	C09-046-00200	MOTOR ONLY,150W5300RPM	1		
6-1-2-1	C09-005-00601	CARBON BRUSH,7x11mm	1		
6-1-2-2	C09-005-02400	CARBON BRUSH CAP,7x11mm	1		
6-2	9214080150232	WASHER,5/16	2		
6-3	9211080200142	SPRING WASHER,5/16	2		
6-4	9001080201251	HEXFLANGE BOLT M8xP1.25x20L	2		

PS-HA Parts List (2015/12/08)

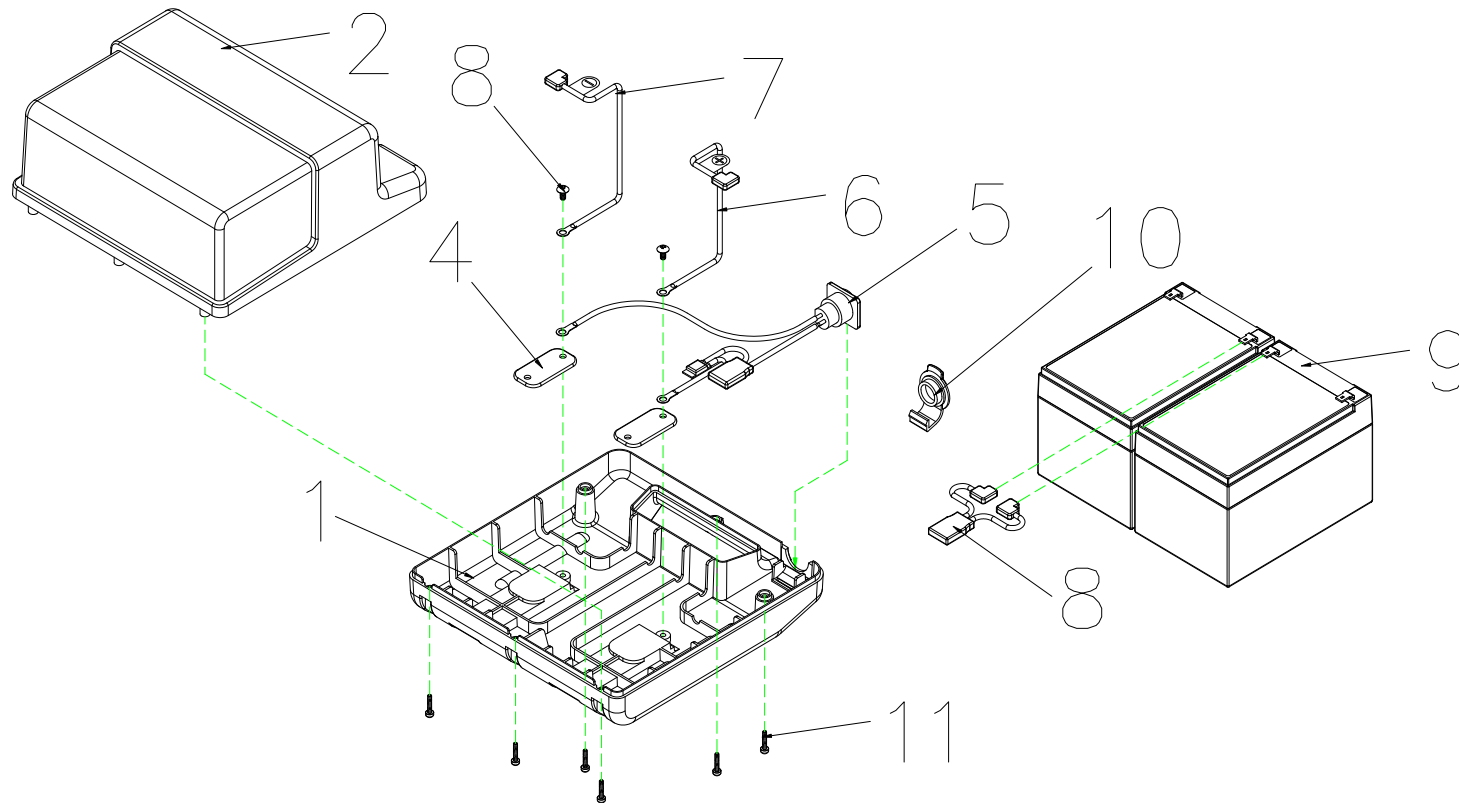


7.GEARBOX ASS'Y (W/I MOTOR BOLT) -DUAL WHEEL (200W5300RPM/25:1)

PS-HA Parts List (2015/12/08)

Fig&Index NO.	Parts No.	Parts Name	QTY/CAR	UNIT PRICE	Remark
7	S09-046-00300	GEAROX ASS'Y (W/I MOTOR BOLT)-DUAL WHEEL , 200W5300RPM/25 : 1	1 SET		
7-1	C09-046-00800	GEAROX ASS'Y (W/I MOTOR BOLT)-DUAL WHEEL , 200W5300RPM/25 : 1	1		
7-1-1	C09-046-00300	GEARBOX ONLY(W/O MOTOR)-DUAL WHEEL	1		
7-1-2	C09-046-00600	MOTOR ONLY,200W5300RPM	1		
7-1-2-1	C09-005-00601	CARBON BRUSH,7x11mm	1		
7-1-2-2	C09-005-02400	CARBON BRUSH CAP,7x11mm	1		
7-2	9214080150232	WASHER,5/16	2		
7-3	9211080200142	SPRING WASHER,5/16	2		
7-4	9002080201251	HEXFLANGE BOLT M8xP1.25x20L	2		

PS-HA Parts List (2015/12/08)

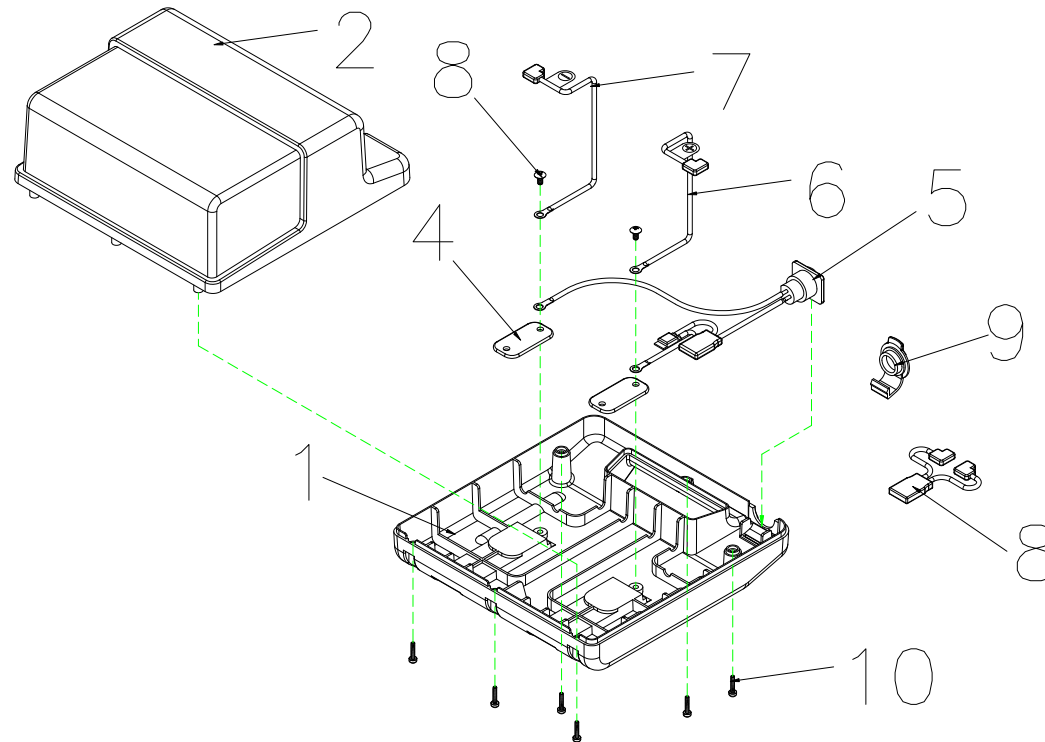


8.BATTERY BOX ASS'Y W/I BATTERY

PS-HA Parts List (2015/12/08)

Fig&Index NO.	Parts No.	Parts Name	QTY/CAR	UNIT PRICE	Remark
8	S17-058-00100	BATTERY BOX ASS'Y , W/I BATTERY	1 SET		
8-1	C26-058-00301	BATTERY COVER , LOWER	1		
8-2	C26-058-00200	BATTERY COVER , UPPER	1		
8-3	C17-009-00602	BATTERY CABLE	1		
8-4	C12-009-00401	COPPER PIECE,BATTERY PLANK	2		
8-5	C18-058-00100	CHARGE CABLE	1		
8-6	C17-009-00701	BATTERY CABLE (+)	1		
8-7	C17-009-00801	BATTERY CABLE (-)	1		
8-8	9005040080702	BOLT , M4x8L	2		
8-9	C17-009-01200	BATTERY,12AH	2		
8-10	C26-058-00700	COVER,CHARGE	1		
8-11	9011350150003	BOLT , M3.5x15L	6		
8-12	C34-058-00100	PLUG	2		

PS-HA Parts List (2015/12/08)

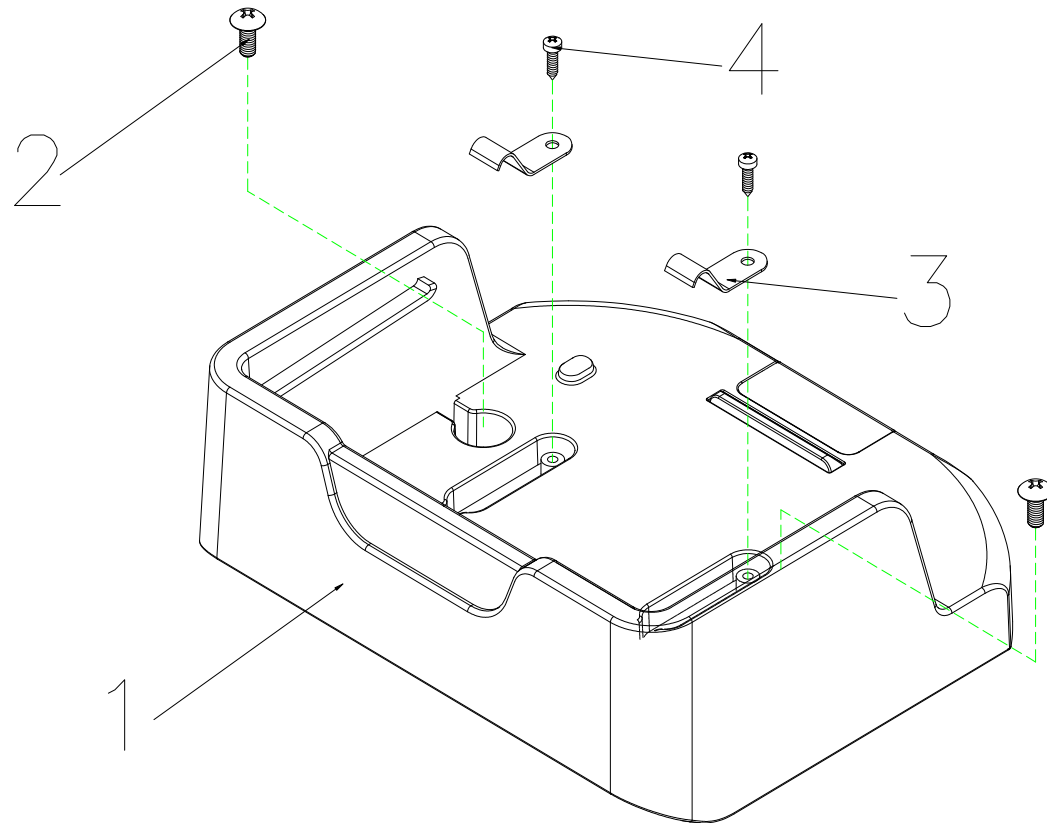


9.BATTERY BOX ASS'Y W/O BATTERY

PS-HA Parts List (2015/12/08)

Fig&Index NO.	Parts No.	Parts Name	QTY/CAR	UNIT PRICE	Remark
9	S17-058-00200	BATTERY BOX ASS'Y , W/O BATTERY	1 SET		
9-1	C26-058-00301	BATTERY COVER , LOWER	1		
9-2	C26-058-00200	BATTERY COVER , UPPER	1		
9-3	C17-009-00602	BATTERY CABLE	1		
9-4	C12-009-00401	COPPER PIECE,BATTERY PLANK	2		
9-5	C18-058-00100	CHARGE CABLE	1		
9-6	C17-009-00701	BATTERY CABLE (+)	1		
9-7	C17-009-00801	BATTERY CABLE (-)	1		
9-8	9005040080702	BOLT , M4x8L	2		
9-9	C26-058-00700	COVER,CHARGE	1		
9-10	9011350150003	BOLT , M3.5x15L	6		
9-11	C34-058-00100	PLUG	2		

PS-HA Parts List (2015/12/08)

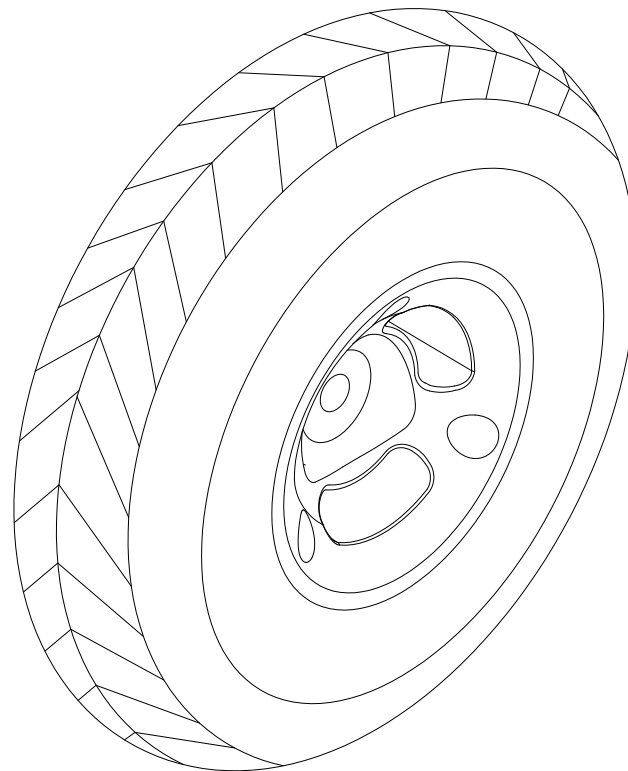


10.BATTERY TRAY ASS'Y

PS-HA Parts List (2015/12/08)

Fig&Index NO.	Parts No.	Parts Name	QTY/CAR	UNIT PRICE	Remark
10	S26-058-00100	BATTERY TRAY ASS'Y	1 SET		
10-1	C26-058-02000	BATTERY TRAY	1		
10-2	9005060151002	BOLT , M6x15L	2		
10-3	C12-009-00100	U-TYPE SPRING NUT	2		
10-4	9029040120002	BOLT , M4x8L	2		

PS-HA Parts List (2011/09/22)

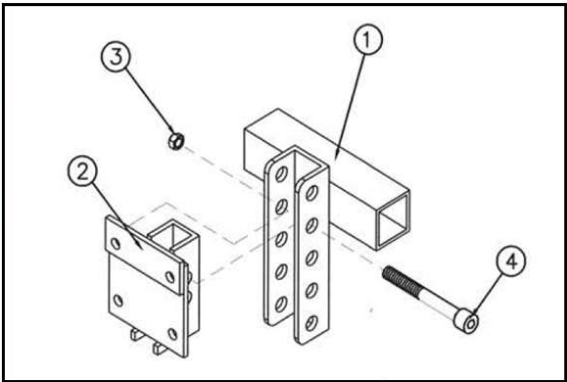


11.TIRE,200x50

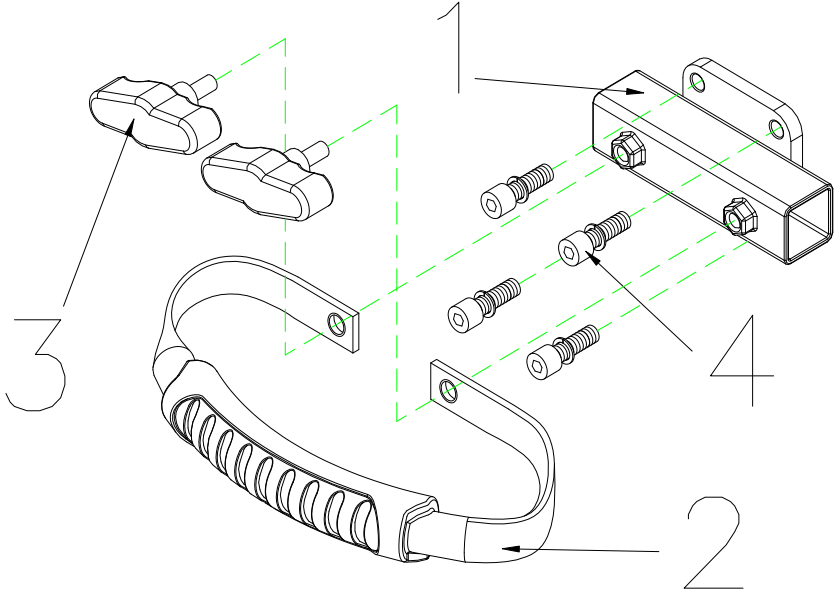
PS-HA Parts List (2015/12/08)

Fig&Index NO.	Parts No.	Parts Name	QTY/CAR	UNIT PRICE	Remark
11	C06-046-00100	TIRE , 200x50	1		

PS-HA Parts List (2015/12/08)



18

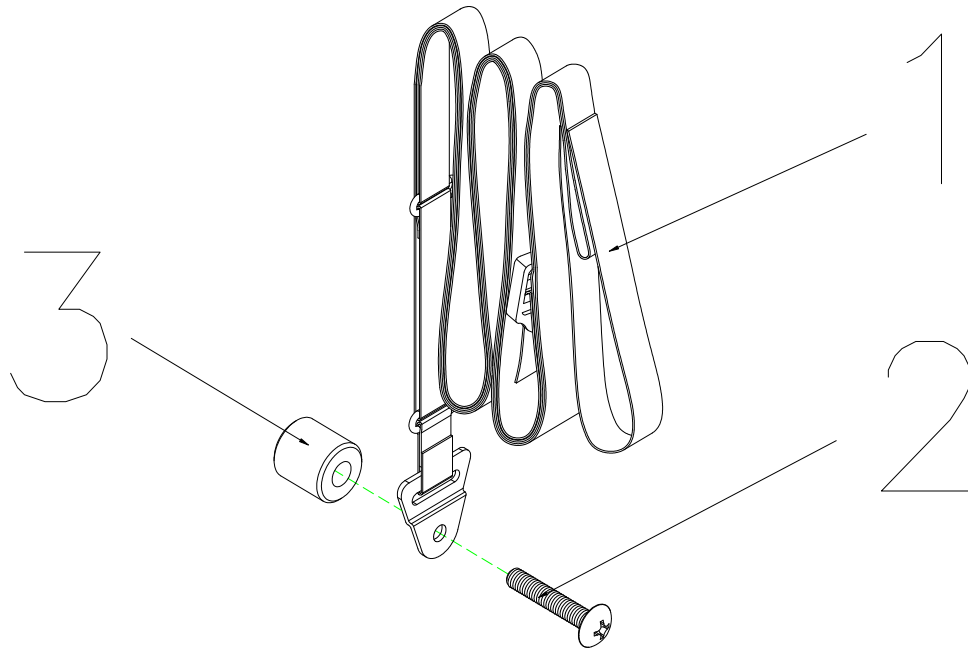


12.MOTOR STRIP ASS'Y

PS-HA Parts List (2015/12/08)

Fig&Index NO.	Parts No.	Parts Name	QTY/CAR	UNIT PRICE	Remark
12	S01-046-00400	MOTOR STRAP ASS'Y	1 SET		
12-1	C01-046-00600	MOTOR CROWN BRACKET	1		
12-2	C01-046-01500	MOTOR STRAP	1		
12-3	C30-046-00300	QUICK RELEASE SCREW	2		
12-4	9022060201001	HEXAON BOLT , M6x20L	4		
18	S01-046-00700	HEIGHT ADJUSTMENT HOLDER ASS'Y	1 SET		
18-1	C01-046-02200	HEIGHT ADJUSTMENT HOLDER, UPPER	1		
18-2	C01-046-02300	HEIGHT ADJUSTMENT HOLDER, LOWER	1		
18-3	9035080401251	BOLT, M8 x P1025 x 40L	1		
18-4	9201080801252	LOCK NUT, M8x1.25	1		

PS-HA Parts List (2015/12/08)

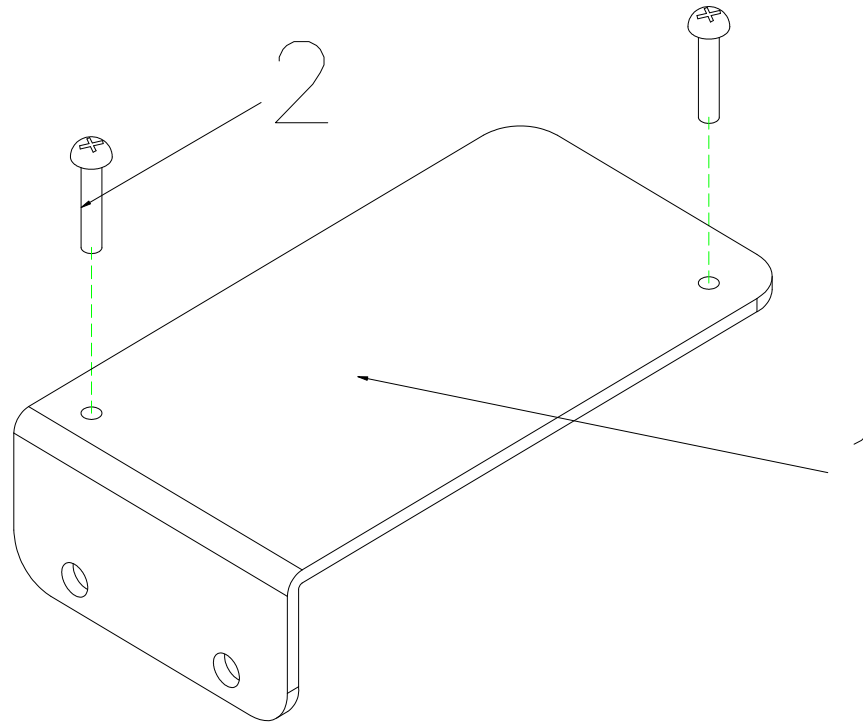


13.LIFT-UP STRAP ASS'Y

PS-HA Parts List (2015/12/08)

Fig&Index NO.	Parts No.	Parts Name	QTY/CAR	UNIT PRICE	Remark
13	S31-058-00100	LIFT-UP STRAP ASS'Y	1 SET		
13-1	C31-058-00100	LIFT-UP STRAP	1		
13-2	9005060351003	BOLT , M6x35L	1		
13-3	9367190802000	SPACER 19x8x20L	1		

PS-HA Parts List (2015/12/08)

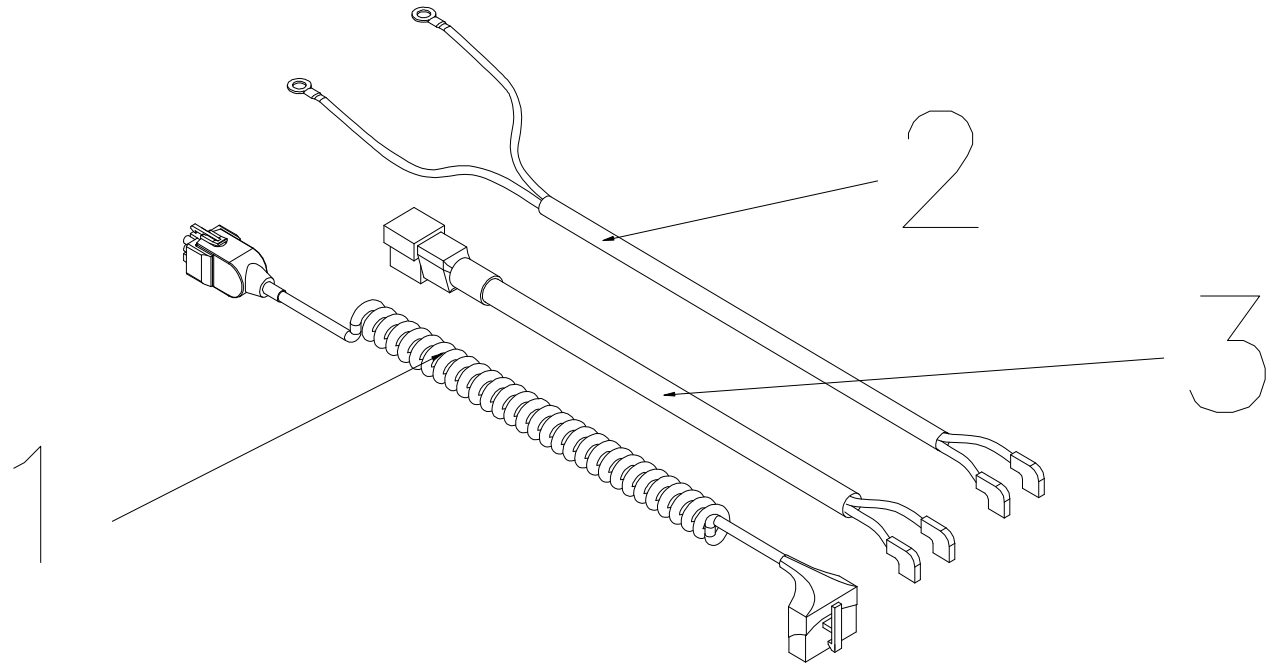


14.MOTOR STRIP ASS'Y

PS-HA Parts List (2015/12/08)

Fig&Index NO.	Parts No.	Parts Name	QTY/CAR	UNIT PRICE	Remark
14	S01-046-00500	CONTROLLER HOLD ASS'Y	1 SET		
14-1	C01-046-01700	CONTROLLER HOLD	1		
14-2	9004040250704	BOLT M4x25L	2		

PS-HA Parts List (2015/12/08)



15.WIRE HARNESS ASS'Y

PS-HA Parts List (2015/12/08)

Fig&Index NO.	Parts No.	Parts Name	QTY/CAR	UNIT PRICE	Remark
15	S18-058-00100	PS-HA WIRE HARNESS ASS'Y	1 SET		
15-1	C18-058-00200	WIRE HARNESS FOR PS-HA	1		
15-2	C18-046-00500	POWER STROLL CABLE FOR P&G CONTROLLER	1		
15-3	C18-046-00600	MOTOR CABLE FOR P&G CONTROLLER	1		

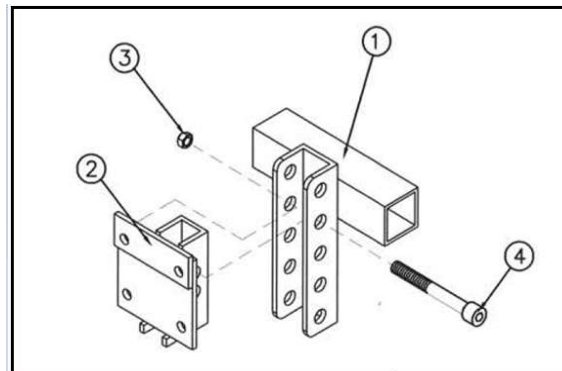
PS-HA Parts List (2015/12/08)

Fig&Index NO.	Parts No.	Parts Name	QTY/CAR	UNIT PRICE	Remark
16		ACCESSORIES			
16-1	C38-046-00100	POWERSTROLL SET BAG	1		
16-2	C37-058-00200	ALLEN KEY	1		
16-4	C37-046-00402	OWNER'S MANUAL, BE 01	1		
16-9	C99-046-00501	CARTON, BE 01	1		
16-14	C12-034-00300	CHARGER,CTE 1.8A OFF BOARD	1		

PS-HA Parts List (2015/12/08)

Fig&Index NO.	Parts No.	Parts Name	QTY/CAR		Remark
		English			
17		LABEL ACCESSORIES			
17-2	S27-058-00200	LABEL SET , BE 01	1		
17-2-1	C27-034-02800	LABEL , CHARGE WARING	1		
17-2-2	C27-058-00100	LABEL , LOGO , BE 01	1		

PS-HA Parts List (2016/6/03)



18

Fig&Index NO.	Parts No.	Parts Name	QTY/CAR	UNIT PRICE	Remark
18	S01-046-00700	HEIGHT ADJUSTMENT ASS'Y	1SET		
18-1	C01-046-02200	HEIGHT ADJUSTMENT HOLDER, UPPER	1		
18-2	C01-046-02300	HEIGHT ADJUSTMENT HOLDER, LOWER	1		
18-3	9035080401251	BOLT, M8 x P1025 x 40L	1		
18-4	9201080801252	LOCK NUT, M8x1.25	1		