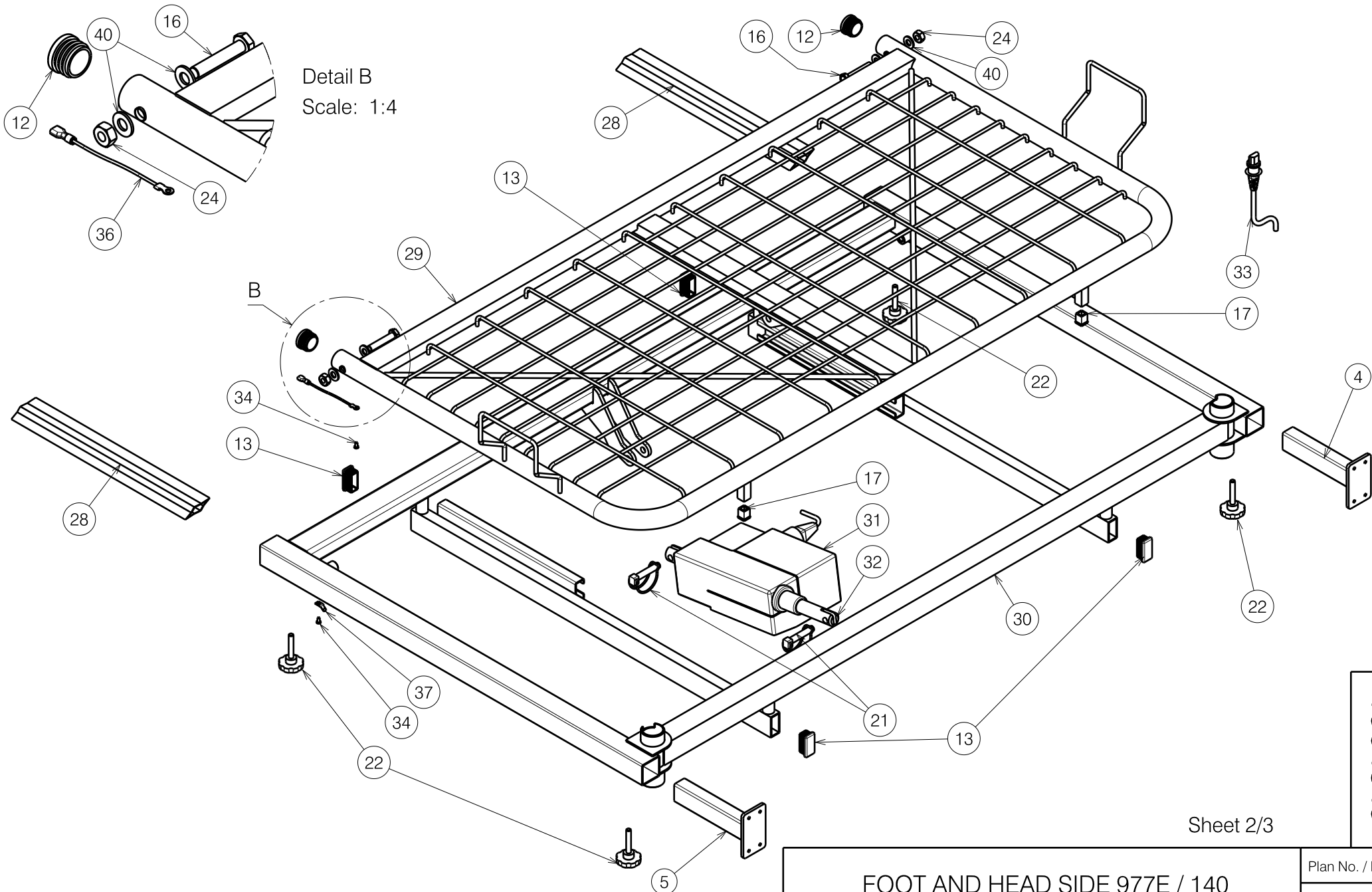


1904849

Sheet 1/3

|                               |                                  |                                   |                                     |                                 |
|-------------------------------|----------------------------------|-----------------------------------|-------------------------------------|---------------------------------|
| FOOT AND HEAD SIDE 977E / 140 |                                  |                                   |                                     | Plan No. / Plannr.<br>E000506/J |
| Scale / Schaal: 1:8           | Drafted / Getekend<br>30/09/2008 | Verified / Nagezien<br>22/10/2019 | Confirmed / Bevestigd<br>22/10/2019 |                                 |
| Date / Datum                  | 30/09/2008                       | 22/10/2019                        | 22/10/2019                          |                                 |
| Init. / Init.                 | TM                               | SD                                | PJ                                  |                                 |

Detail B  
Scale: 1:4



1904849

Sheet 2/3

|                               |                    |                     |                       |                                 |
|-------------------------------|--------------------|---------------------|-----------------------|---------------------------------|
| FOOT AND HEAD SIDE 977E / 140 |                    |                     |                       | Plan No. / Plannr.<br>E000506/J |
| Scale / Schaal: 1:8           | Drafted / Getekend | Verified / Nagezien | Confirmed / Bevestigd |                                 |
| Date / Datum                  | 30/09/2008         | 22/10/2019          | 22/10/2019            |                                 |
| Init. / Init.                 | TM                 | SD                  | PJ                    |                                 |

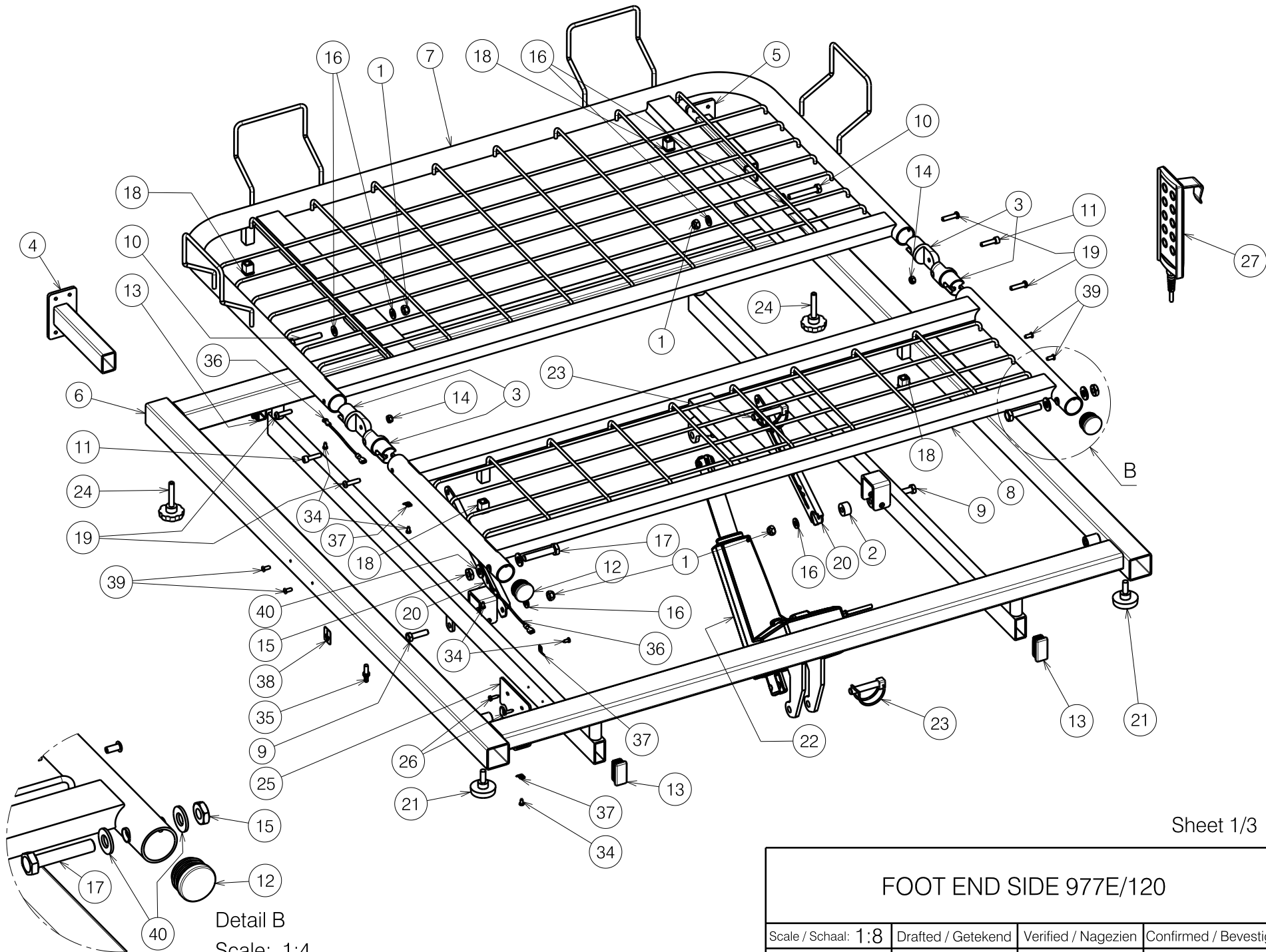
| Material / Materiaal |                  |                   |        |
|----------------------|------------------|-------------------|--------|
| No. / Nr.            | Plan             | Article / Artikel | Number |
| 1                    | X001016          | 1001682           | 4      |
| 2                    | X001158          | G003317           | 2      |
| 3                    | X002308          | 1993121           | 4      |
| 4                    | Y004196          | 15090..           | 2      |
| 5                    | Y004197          | 15091..           | 2      |
| 6                    | Y013976          | 16979..           | 1      |
| 7                    | Y014045          | 16981..           | 1      |
| 8                    | Y014134          | 16983..           | 1      |
| 9                    | M8x30 DIN933/8.8 | 1001443           | 2      |
| 10                   | M8x50 DIN933/8.8 | 1001446           | 2      |
| 11                   | M6x25 DIN912/8.8 | 1001494           | 2      |
| 12                   | Ø32              | 1001610           | 4      |
| 13                   | 40x20            | 1001615           | 8      |
| 14                   | M6 DIN985        | 1001680           | 2      |
| 15                   | M8 DIN125        | 1003199           | 6      |
| 16                   | M10x53/8.8       | 1551600           | 4      |
| 17                   | 15x15            | 1005899           | 6      |
| 18                   | M6x25            | 1006998           | 4      |
| 19                   | X002326          | 1991982           | 2      |
| 20                   | M8x10            | 1992177           | 2      |
| 21                   | Ø10x50           | 1998885           | 4      |
| 22                   | M8x45            | 2990016           | 6      |
| 23                   | ---              | 1903437           | 1      |
| 24                   | M10              | 1903216           | 4      |
| 25                   | Y004576          | 15120..           | 1      |

| Material / Materiaal |                  |                   |        |
|----------------------|------------------|-------------------|--------|
| No. / Nr.            | Plan             | Article / Artikel | Number |
| 26                   | Øx16             | 1003021           | 2      |
| 27                   | ---              | 1901059           | 1      |
| 28                   | Y004202          | 15163..           | 2      |
| 29                   | Y014012          | 16980..           | 1      |
| 30                   | Y014138          | 16984..           | 1      |
| 31                   | ---              | 1999754           | 1      |
| 32                   | ---              | 1903436           | 1      |
| 33                   | ---              | 1902971           | 1      |
| 34                   | Ø3.9x9.5 DIN7981 | 1001530           | 7      |
| 35                   | ---              | 1999943           | 1      |
| 36                   | XP00531          | 2990620           | 3      |
| 37                   | Ø6.3             | 2990651           | 4      |
| 38                   | ---              | T001065           | 1      |
| 39                   | Ø4x11            | 1001583           | 4      |
| 40                   | Ø21xØ10.5x2      | 1001557           | 8      |

Sheet 3/3

1904849

|                               |                    |                     |                       |   |
|-------------------------------|--------------------|---------------------|-----------------------|---|
| FOOT AND HEAD SIDE 977E / 140 |                    |                     |                       | Plan No. / Plannr.  |
|                               |                    |                     |                       | E000506/J   |
| Scale / Schaal: 1:8           | Drafted / Getekend | Verified / Nagezien | Confirmed / Bevestigd |  |
| Date / Datum                  | 30/09/2008         | 22/10/2019          | 22/10/2019            |   |
| Init. / Init.                 | TM                 | SD                  | PJ                    |   |

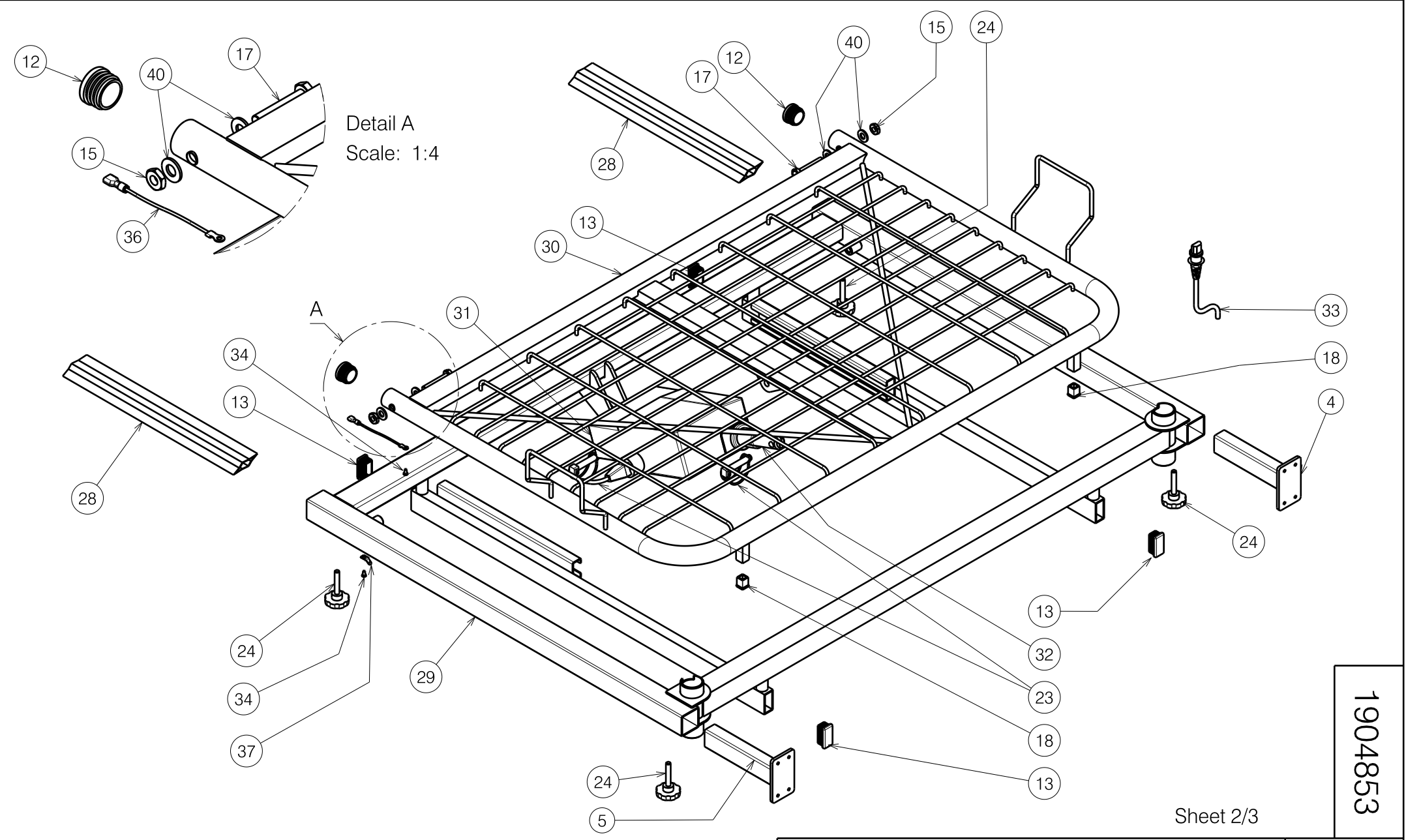


Detail B  
Scale: 1:4

Sheet 1/3

1904853

|                        |                    |                     |                       |                                 |
|------------------------|--------------------|---------------------|-----------------------|---------------------------------|
| FOOT END SIDE 977E/120 |                    |                     |                       | Plan No. / Plannr.<br>E000518/J |
| Scale / Schaal: 1:8    | Drafted / Getekend | Verified / Nagezien | Confirmed / Bevestigd |                                 |
| Date / Datum           | 23/10/2008         | 22/10/2019          | 22/10/2019            |                                 |
| Init. / Init.          | TM                 | SD                  | PJ                    |                                 |



Detail A  
Scale: 1:4

1904853

Sheet 2/3


|                     |                    |                     |                       |   |
|---------------------|--------------------|---------------------|-----------------------|---|
| HEAD SIDE 977E/120  |                    |                     |                       | Plan No. / Plannr.  |
|                     |                    |                     |                       | E000518/J   |
| Scale / Schaal: 1:8 | Drafted / Getekend | Verified / Nagezien | Confirmed / Bevestigd |  |
| Date / Datum        | 23/10/2008         | 22/10/2019          | 22/10/2019            |   |
| Init. / Init.       | TM                 | SD                  | PJ                    |   |

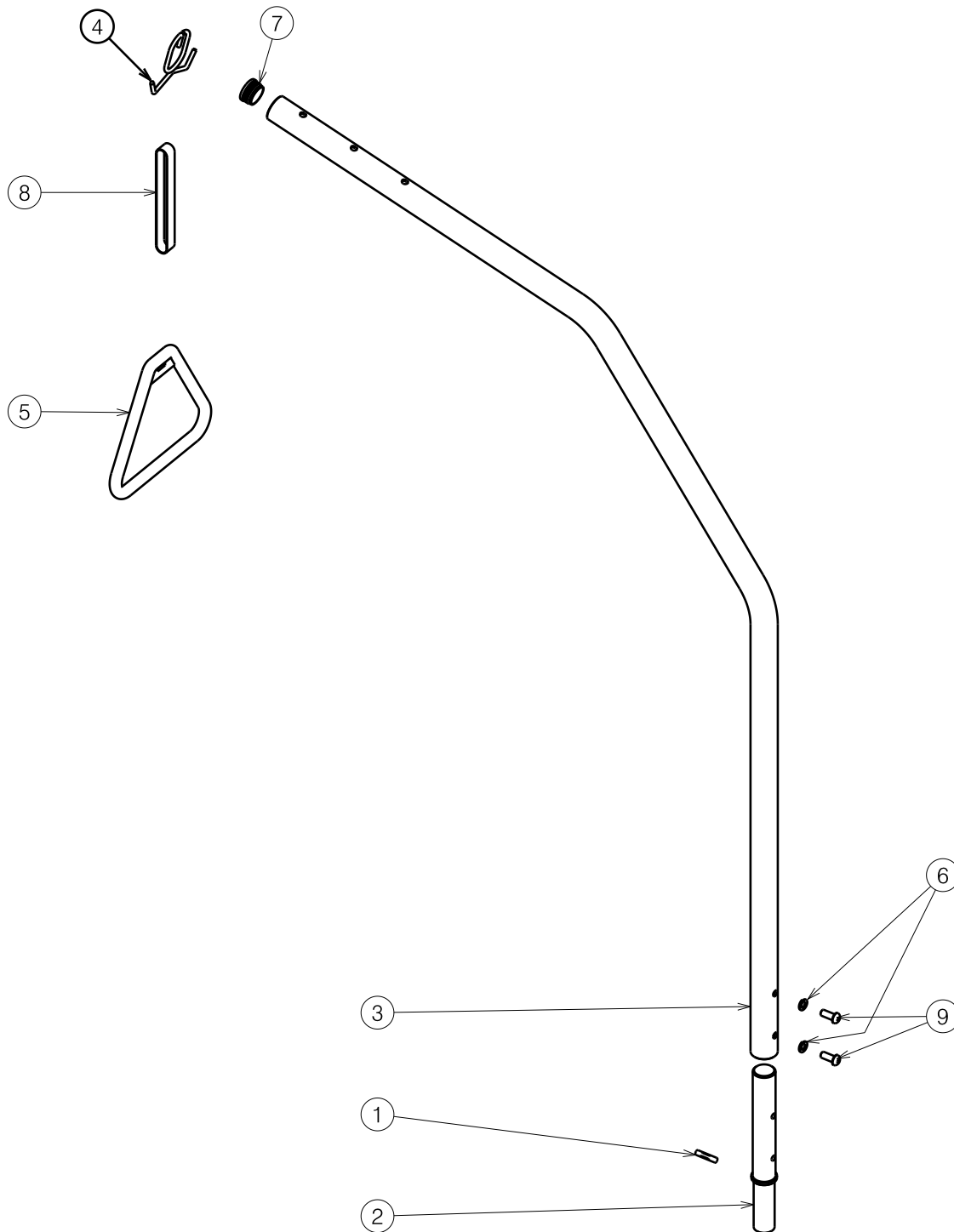
| Material / Materiaal |                  |                   |        |
|----------------------|------------------|-------------------|--------|
| No. / Nr.            | Plan             | Article / Artikel | Number |
| 1                    | X001016          | 1001682           | 4      |
| 2                    | X001158          | G003317           | 2      |
| 3                    | X002308          | 1993121           | 4      |
| 4                    | Y004196          | 15090..           | 2      |
| 5                    | Y004197          | 15091..           | 2      |
| 6                    | Y014462          | 17050..           | 1      |
| 7                    | Y014472          | 17052..           | 1      |
| 8                    | Y014473          | 17053..           | 1      |
| 9                    | M8x30 DIN933/8.8 | 1001443           | 2      |
| 10                   | M8x50 DIN933/8.8 | 1001446           | 2      |
| 11                   | M6x25 DIN912/8.8 | 1001494           | 2      |
| 12                   | Ø32              | 1001610           | 4      |
| 13                   | 40x20            | 1001615           | 8      |
| 14                   | M6               | 1001680           | 2      |
| 15                   | M10              | 1903216           | 4      |
| 16                   | Ø8.4xØ17x1.6     | 1003199           | 6      |
| 17                   | X002720          | 1551600           | 4      |
| 18                   | 15x15            | 1005899           | 6      |
| 19                   | M6x25            | 1006998           | 4      |
| 20                   | X002326          | 1991982           | 2      |
| 21                   | VGF M8x20        | 1001580           | 2      |
| 22                   | ---              | 1903437           | 1      |
| 23                   | Ø10x50           | 1998885           | 4      |
| 24                   | VGF M8x45        | 2990016           | 6      |
| 25                   | Y004576          | 15120..           | 1      |

| Material / Materiaal |             |                   |                 |
|----------------------|-------------|-------------------|-----------------|
| No. / Nr.            | Plan        | Article / Artikel | Number / Aantal |
| 26                   | Ø4x16       | 1003021           | 2               |
| 27                   | ---         | 1901059           | 1               |
| 28                   | Y004202     | 15163..           | 2               |
| 29                   | Y014465     | 17051..           | 1               |
| 30                   | Y014474     | 17054..           | 1               |
| 31                   | ---         | 1999754           | 1               |
| 32                   | ---         | 1903436           | 1               |
| 33                   | ---         | 1902971           | 1               |
| 34                   | Ø3.9x9.5    | 1001530           | 7               |
| 35                   | ---         | 1999943           | 1               |
| 36                   | XP00531     | 2990620           | 3               |
| 37                   | Ø6.3        | 2990651           | 4               |
| 38                   | ---         | T001065           | 1               |
| 39                   | ---         | 1001583           | 4               |
| 40                   | Ø21xØ10.5x2 | 1001557           | 8               |

Sheet 3/3

1904853

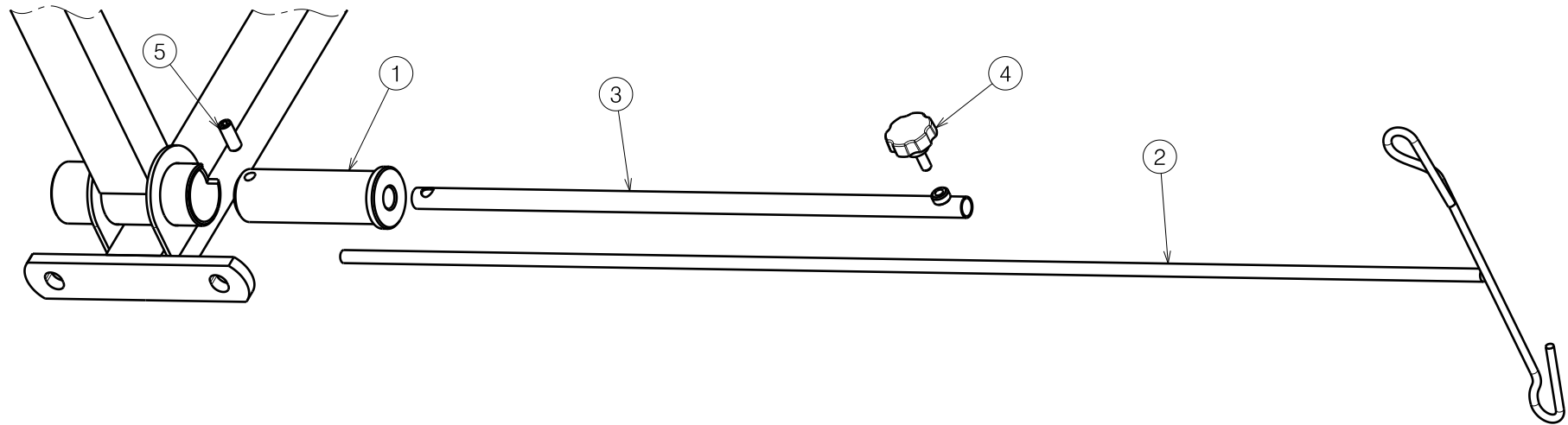
|                      |                    |                     |                       |   |
|----------------------|--------------------|---------------------|-----------------------|---|
| BED FRAME 977E / 120 |                    |                     |                       | Plan No. / Plannr.  |
|                      |                    |                     |                       | E000518/J   |
| Scale / Schaal: 1:8  | Drafted / Getekend | Verified / Nagezien | Confirmed / Bevestigd |  |
| Date / Datum         | 23/10/2008         | 22/10/2019          | 22/10/2019            |   |
| Init. / Init.        | TM                 | SD                  | PJ                    |   |



| Material / Materiaal |             |                   |                 |
|----------------------|-------------|-------------------|-----------------|
| No. / Nr.            | Plan        | Article / Artikel | Number / Aantal |
| 1                    | X001381     | 1401100           | 1               |
| 2                    | X004300     | 1704600           | 1               |
| 3                    | Y014248     | 17047..           | 1               |
| 4                    | YP05298     | 2706601           | 1               |
| 5                    | ---         | 1906253           | 1               |
| 6                    | M10 DIN127B | 1001566           | 2               |
| 7                    | Ø38         | 1001611           | 1               |
| 8                    | ---         | 1009297           | 1               |
| 9                    | M10x25      | 1992165           | 2               |

8001509

|   |                    |                     |                       |                    |
|---|--------------------|---------------------|-----------------------|--------------------|
| <b>SELF RAISING AID 968</b><br><b>ZELFOPRICHTER 968</b> |                    |                     |                       | Plan No. / Plannr. |
|   |                    |                     |                       | E000527/D          |
| Scale / Schaal: 1:10                                    | Drafted / Getekend | Verified / Nagezien | Confirmed / Bevestigd |                    |
| Date / Datum  | 12/11/2008         | 29/04/2019          | 29/04/2019            |                    |
| Init. / Init.   | TM                 | TT                  | PJ                    |                    |



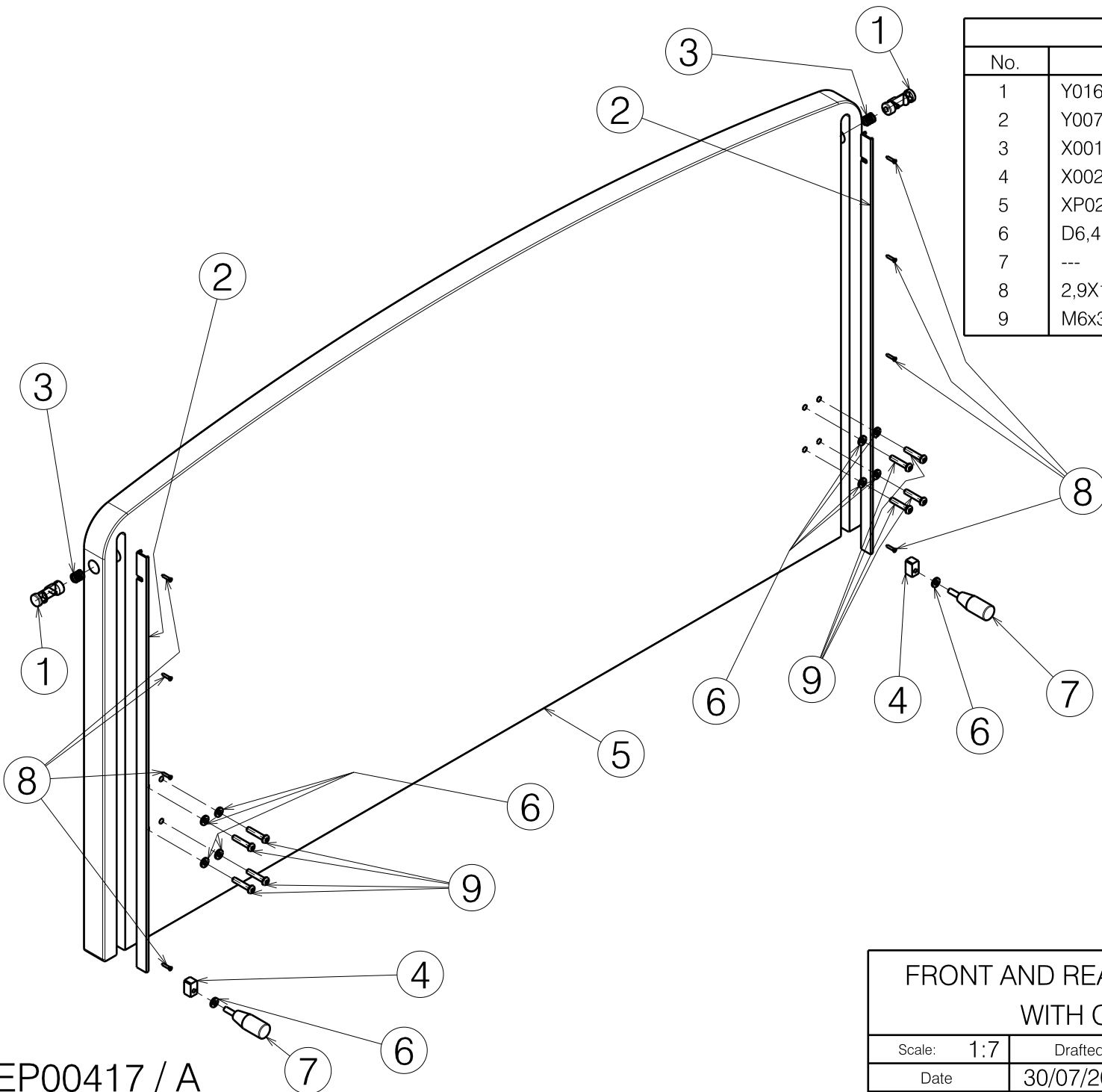
| Material |                  |         |          |
|----------|------------------|---------|----------|
| No.      | Plan             | Article | Quantity |
| 1        | X003003          | 1995503 | 1        |
| 2        | Y005659          | 1425701 | 1        |
| 3        | Y006318          | 1571504 | 1        |
| 4        | M6x15            | 1001577 | 1        |
| 5        | M8X20 DIN916/45H | 1995504 | 1        |

1995708

|                            |            |            |            |   |
|----------------------------|------------|------------|------------|---|
| B52 SERUM CARRIER FOR BEDS |            |            |            | Plan No.  |
|                            |            |            |            | E001069 / A   |
| Scale: 1:4                 | Drafted    | Verified   | Confirmed  |  |
| Date                       | 25/01/2017 | 25/01/2017 | 25/01/2017 |   |
| Initials                   | SD         | SD         | PJ         |   |

E001069 / A



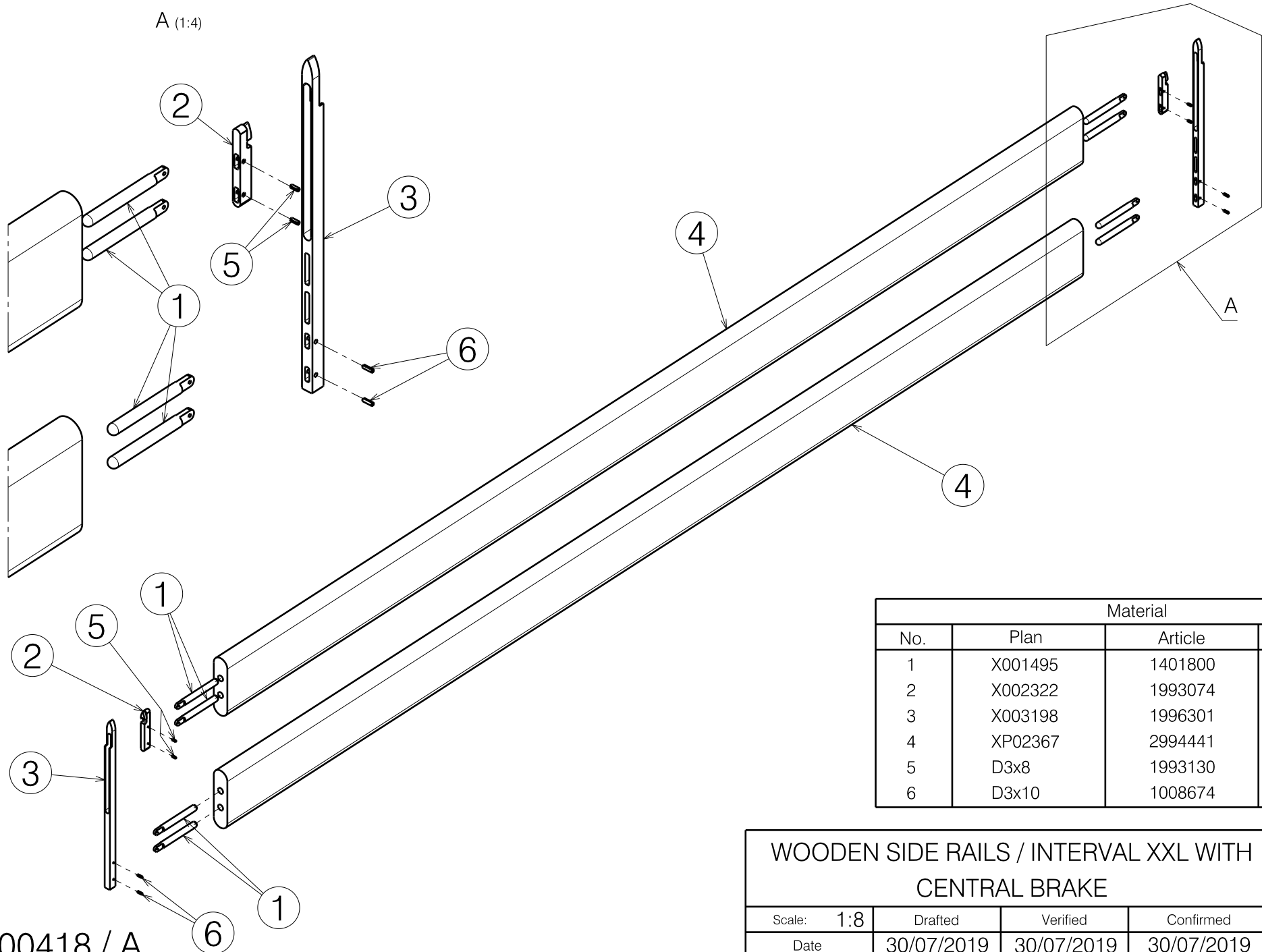


| Material |                |         |          |
|----------|----------------|---------|----------|
| No.      | Plan           | Article | Quantity |
| 1        | Y016114        | 1905000 | 2        |
| 2        | Y007458        | 15869   | 2        |
| 3        | X001497        | 1401900 | 2        |
| 4        | X002239        | 14946   | 2        |
| 5        | XP02366        | HP00584 | 1        |
| 6        | D6,4 DIN125    | 1001564 | 10       |
| 7        | ---            | 1008656 | 2        |
| 8        | 2,9X13 DIN7981 | 1008675 | 8        |
| 9        | M6x30          | 1904024 | 8        |

EP00417 / A

|   |            |            |            |             |
|---|------------|------------|------------|-------------|
| FRONT AND REAR PANEL / INTERVAL XXL<br>WITH CENTRAL BRAKE |            |            |            | Plan No.    |
|   |            |            |            | EP00417 / A |
| Scale: 1:7  | Drafted    | Verified   | Confirmed  |             |
| Date  | 30/07/2019 | 30/07/2019 | 30/07/2019 |             |
| Initials  | AZ         | TK         | TK         |             |

A (1:4)

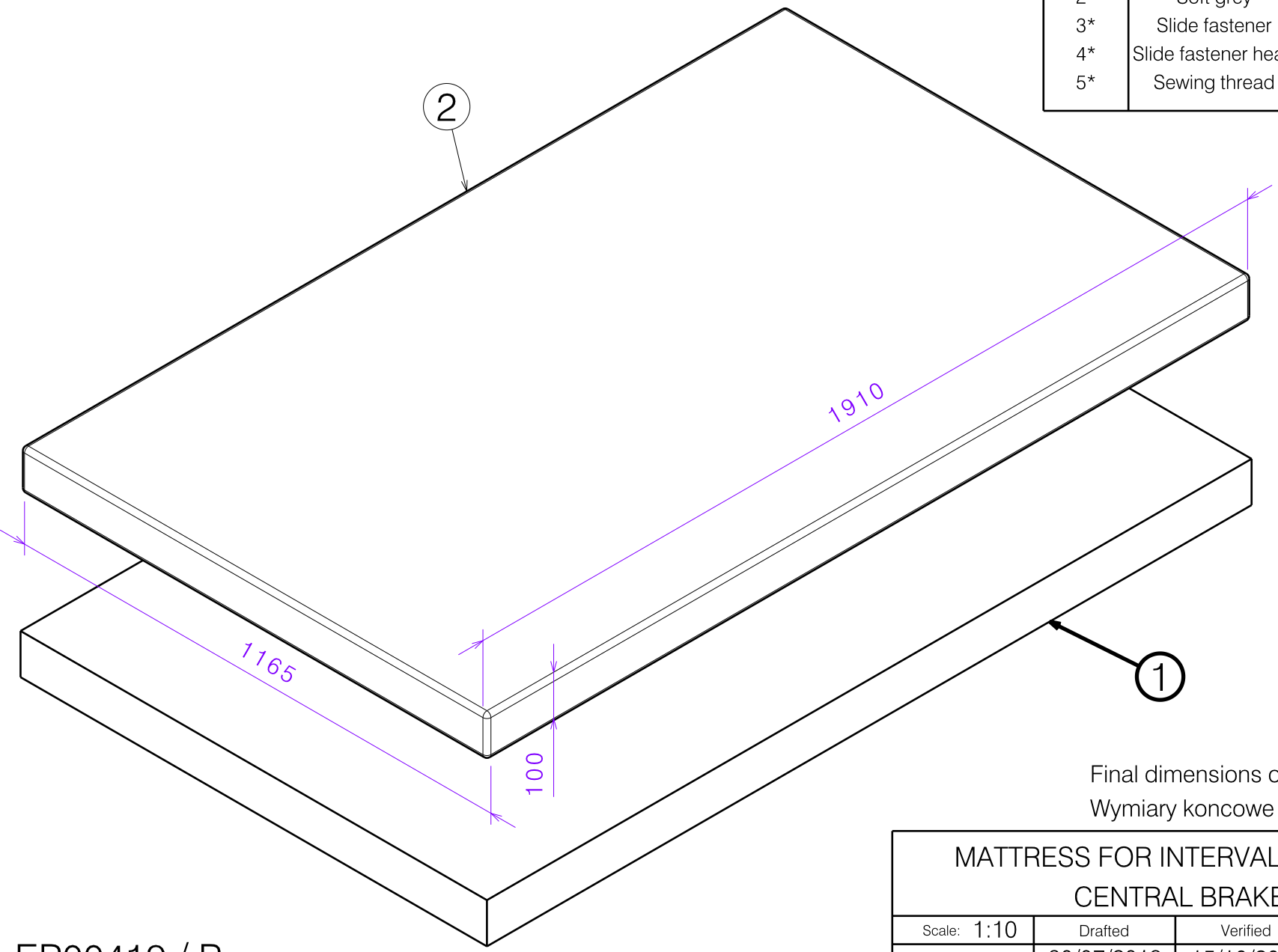


| Material |         |         |          |
|----------|---------|---------|----------|
| No.      | Plan    | Article | Quantity |
| 1        | X001495 | 1401800 | 8        |
| 2        | X002322 | 1993074 | 2        |
| 3        | X003198 | 1996301 | 2        |
| 4        | XP02367 | 2994441 | 2        |
| 5        | D3x8    | 1993130 | 4        |
| 6        | D3x10   | 1008674 | 4        |

EP00418 / A

|  |            |            |            |             |
|--|------------|------------|------------|-------------|
| WOODEN SIDE RAILS / INTERVAL XXL WITH<br>CENTRAL BRAKE |            |            |            | Plan No.    |
|  |            |            |            | EP00418 / A |
| Scale: 1:8   | Drafted    | Verified   | Confirmed  |             |
| Date   | 30/07/2019 | 30/07/2019 | 30/07/2019 |             |
| Initials   | AZ         | TK         | TK         |             |

| Material |                     |         |          |
|----------|---------------------|---------|----------|
| No.      | Plan                | Article | Quantity |
| 1        | XP02603             | 2994388 | 1        |
| 2        | Soft grey           | 2993898 | 6,2m     |
| 3*       | Slide fastener      | 2994224 | 4,2m     |
| 4*       | Slide fastener head | 2994225 | 2        |
| 5*       | Sewing thread       | W200319 | 20m      |

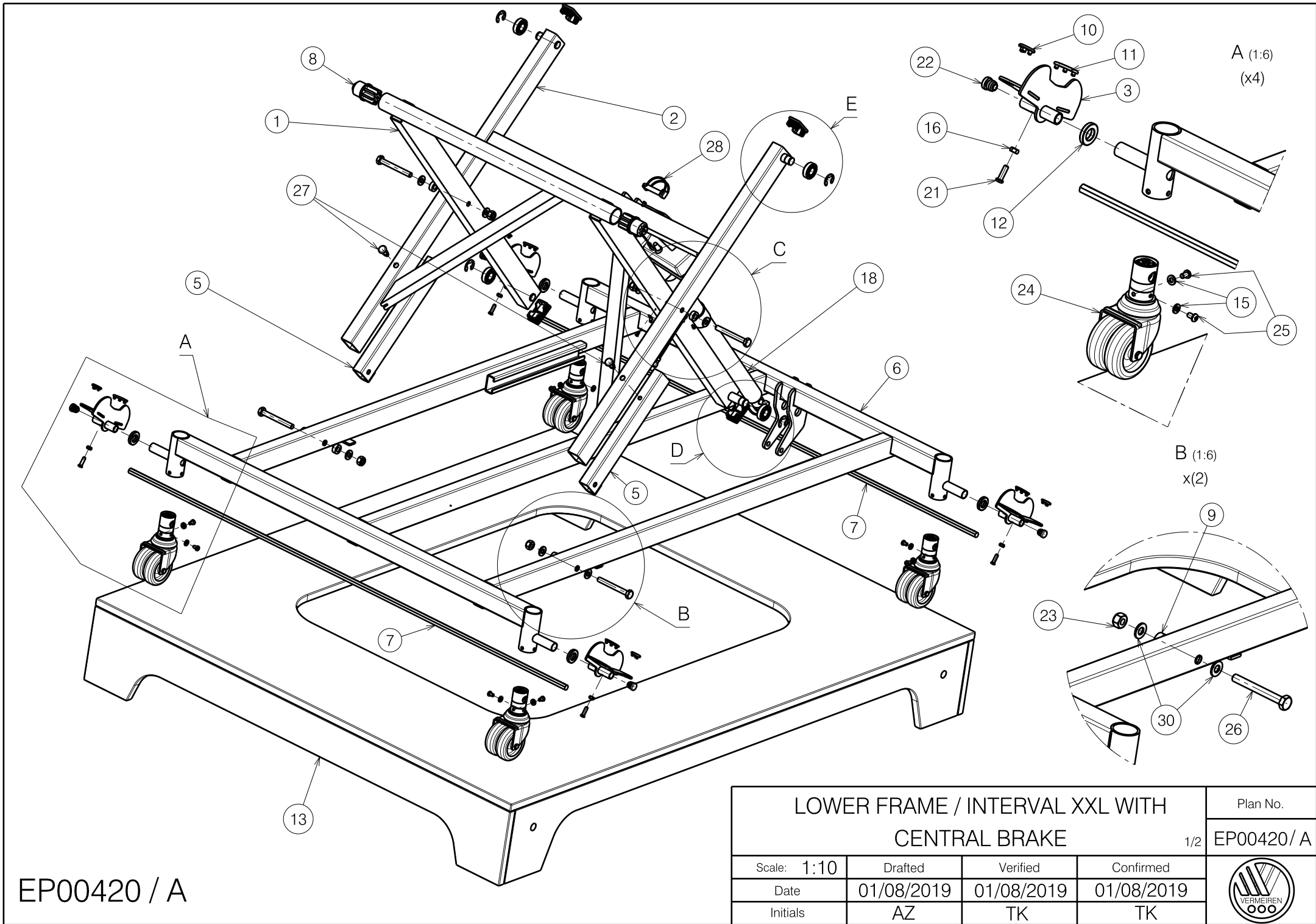


Final dimensions of mattress: 1910x1165x100mm /  
Wymiary koncowe materaca: 1910x1165x100mm


EP00419 / B

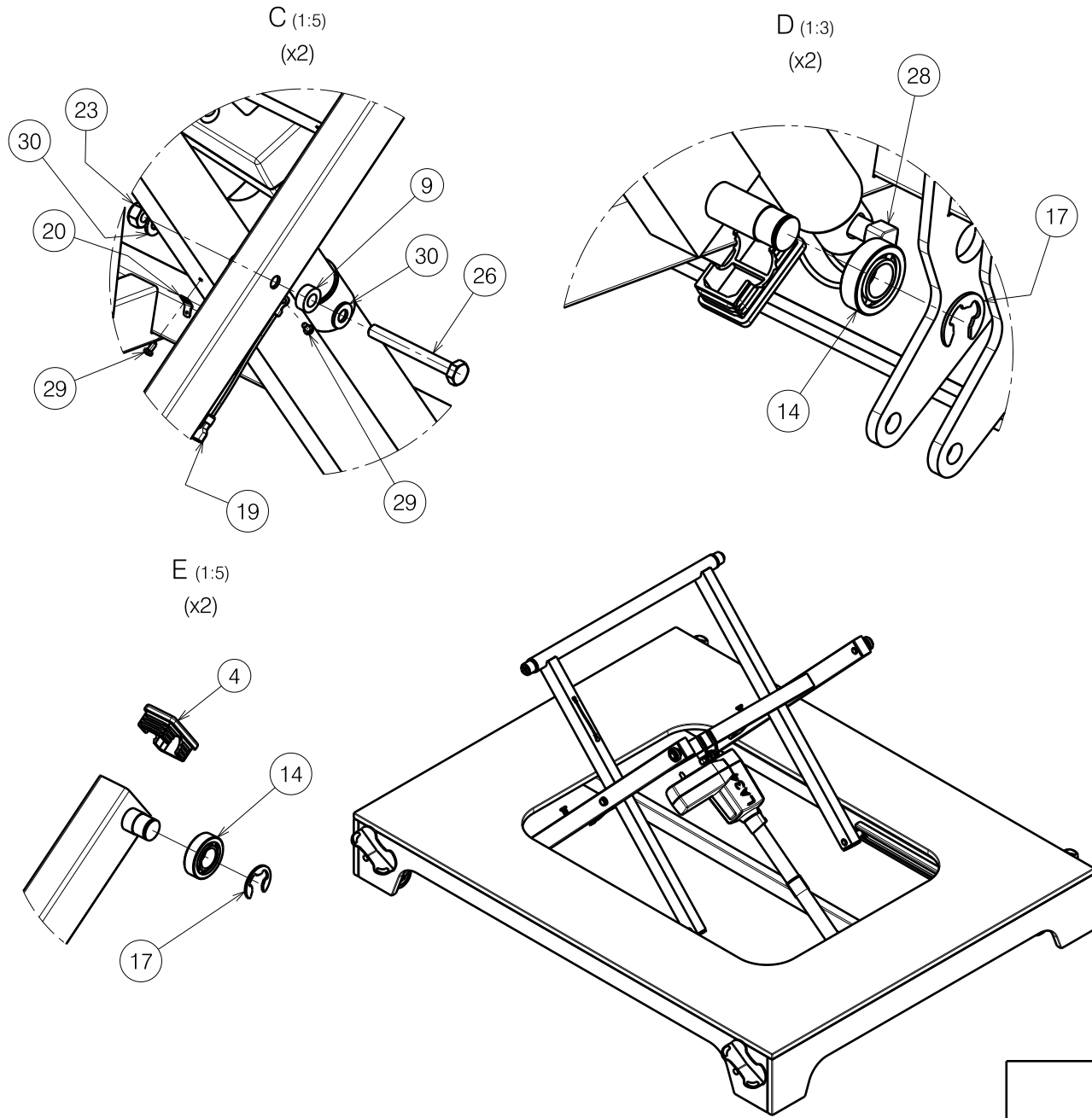
\* not depicted / nie ujeto na rysunku

|   |            |            |            |            |
|---|------------|------------|------------|------------|
| MATTRESS FOR INTERVAL XXL WITH<br>CENTRAL BRAKE |            |            |            | Plan No.   |
|   |            |            |            | EP00419/ B |
| Scale: 1:10                                     | Drafted    | Verified   | Confirmed  |            |
| Date  | 30/07/2019 | 15/10/2019 | 15/10/2019 |            |
| Initials  | AZ         | TK         | TK         |            |



EP00420 / A

|  |            |            |            |   |
|--|------------|------------|------------|---|
| LOWER FRAME / INTERVAL XXL WITH<br>CENTRAL BRAKE |            |            |            | Plan No.<br>1/2 EP00420 / A   |
| Scale: 1:10                                      | Drafted    | Verified   | Confirmed  |  |
| Date   | 01/08/2019 | 01/08/2019 | 01/08/2019 |   |
| Initials   | AZ         | TK         | TK         |   |



| Material |                  |         |          |
|----------|------------------|---------|----------|
| No.      | Plan             | Article | Quantity |
| 1        | Y014140          | 1698513 | 1        |
| 2        | Y014143          | 1698613 | 1        |
| 3        | Y020417          | 1799113 | 4        |
| 4        | Y004215          | F002725 | 4        |
| 5        | YP00007          | 1800100 | 2        |
| 6        | YP07180          | 2774513 | 1        |
| 7        | YP07187          | 2774600 | 2        |
| 8        | X002027          | 1991824 | 2        |
| 9        | X002029          | 1991841 | 4        |
| 10       | X004264          | 1902985 | 4        |
| 11       | X004265          | 1902986 | 4        |
| 12       | X005048          | 1912595 | 4        |
| 13       | XP02461          | 2994440 | 1        |
| 14       | ---              | 1001409 | 4        |
| 15       | D6,4 DIN125      | 1001564 | 8        |
| 16       | M6 DIN 934       | 1001670 | 4        |
| 17       | D15 DIN 6799     | 1003049 | 4        |
| 18       | Motor            | 1903428 | 1        |
| 19       | ---              | 2990620 | 2        |
| 20       | ---              | 2990651 | 1        |
| 21       | M6x20            | 1006999 | 4        |
| 22       | CAP D16          | 1001598 | 4        |
| 23       | M10 DIN985       | 1001683 | 4        |
| 24       | Wheel D75        | 1905247 | 4        |
| 25       | M6x10            | 1900641 | 8        |
| 26       | M10x85 DIN931    | 1992132 | 4        |
| 27       | M10x1            | 1009583 | 2        |
| 28       | Pin D10x50       | 1998885 | 2        |
| 29       | D3,9x9,5 DIN7981 | 1001530 | 3        |
| 30       | D10,5 DIN125     | 1001557 | 8        |

LOWER FRAME / INTERVAL XXL WITH  
CENTRAL BRAKE

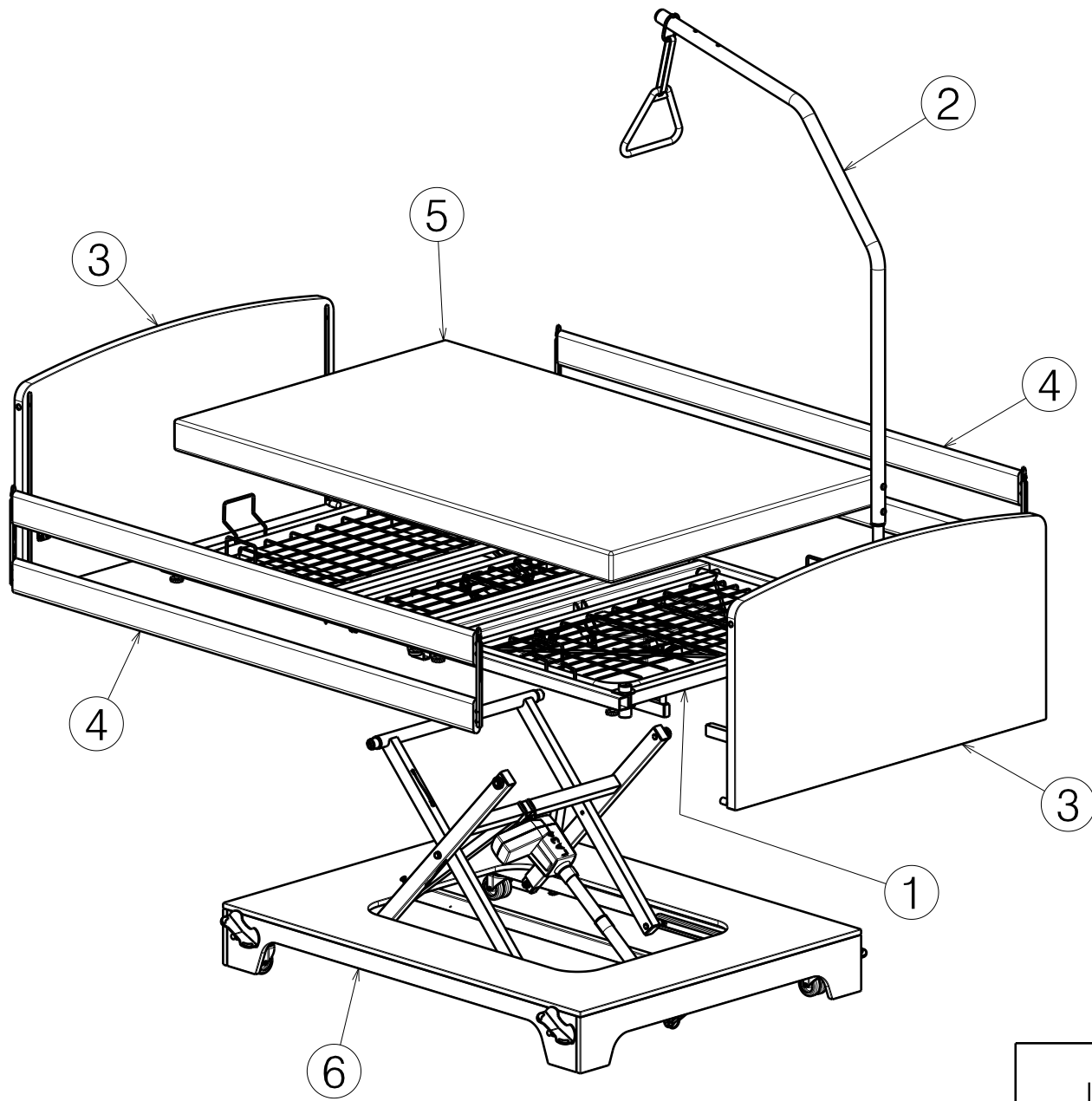
Plan No.

2/2 EP00420 / A

|            |            |            |            |
|------------|------------|------------|------------|
| Scale: --- | Drafted    | Verified   | Confirmed  |
| Date       | 01/08/2019 | 01/08/2019 | 01/08/2019 |
| Initials   | AZ         | TK         | TK         |

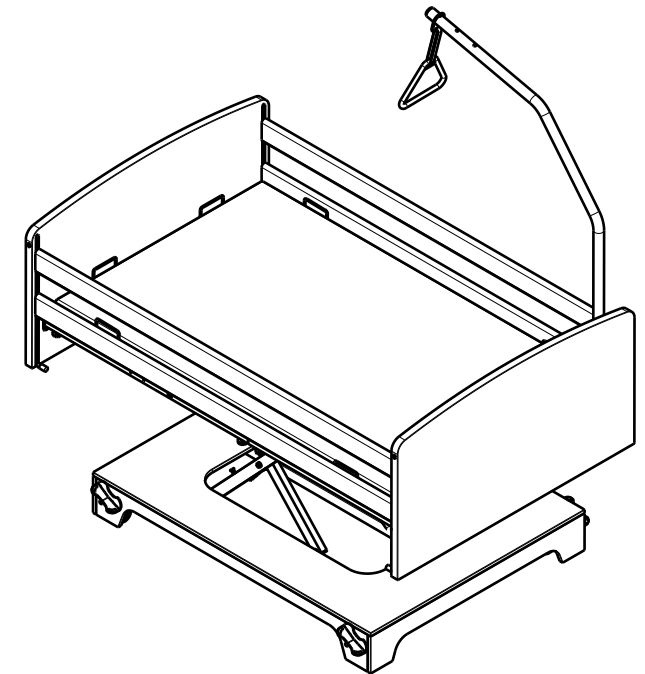


EP00420 / A



| Material |         |                  |          |
|----------|---------|------------------|----------|
| No.      | Plan    | Description      | Quantity |
| 1        | E000518 | UPPER FRAME      | 1        |
| 2        | E000527 | SELF RAISING AID | 1        |
| 3        | EP00417 | FRONT/REAR PANEL | 2        |
| 4        | EP00418 | WOODEN SIDERAILS | 2        |
| 5        | EP00419 | MATTRESS         | 1        |
| 6        | EP00420 | LOWER FRAME      | 1        |

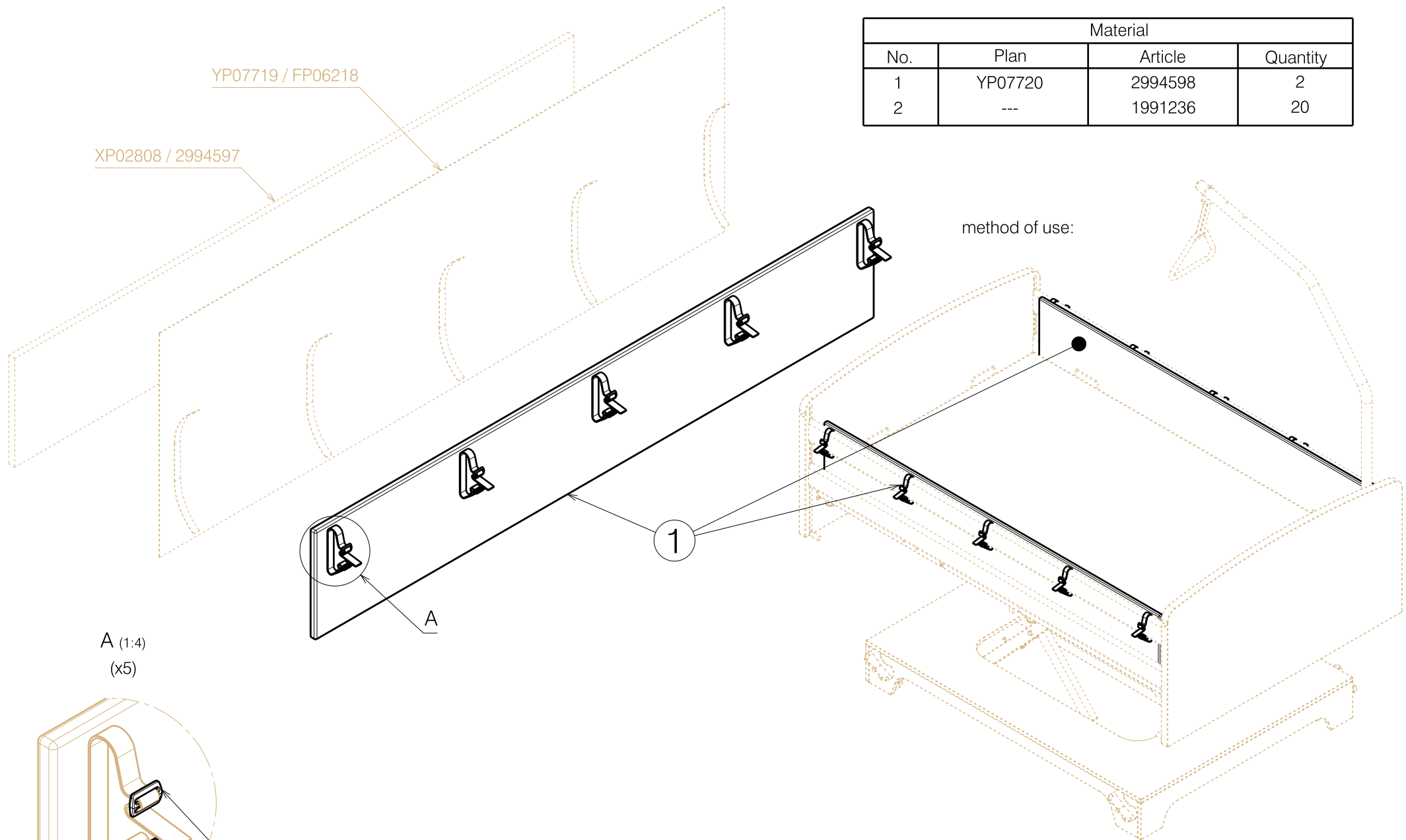
COLOUR OF ALL METAL PARTS: RAL 9007



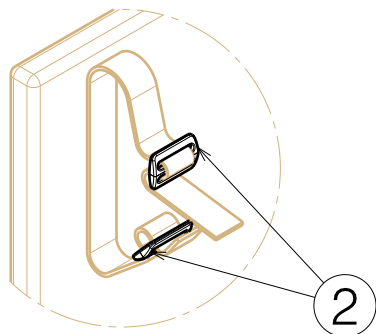
EP00421 / A

|                                 |            |            |            |   |
|---------------------------------|------------|------------|------------|---|
| INTERVAL XXL WITH CENTRAL BRAKE |            |            |            | Plan No.  |
|                                 |            |            |            | EP00421 / A   |
| Scale: 1:20                     | Drafted    | Verified   | Confirmed  |  |
| Date                            | 31/07/2019 | 31/07/2019 | 31/07/2019 |   |
| Initials                        | AZ         | TK         | TK         |   |


| Material |         |         |          |
|----------|---------|---------|----------|
| No.      | Plan    | Article | Quantity |
| 1        | YP07720 | 2994598 | 2        |
| 2        | ---     | 1991236 | 20       |

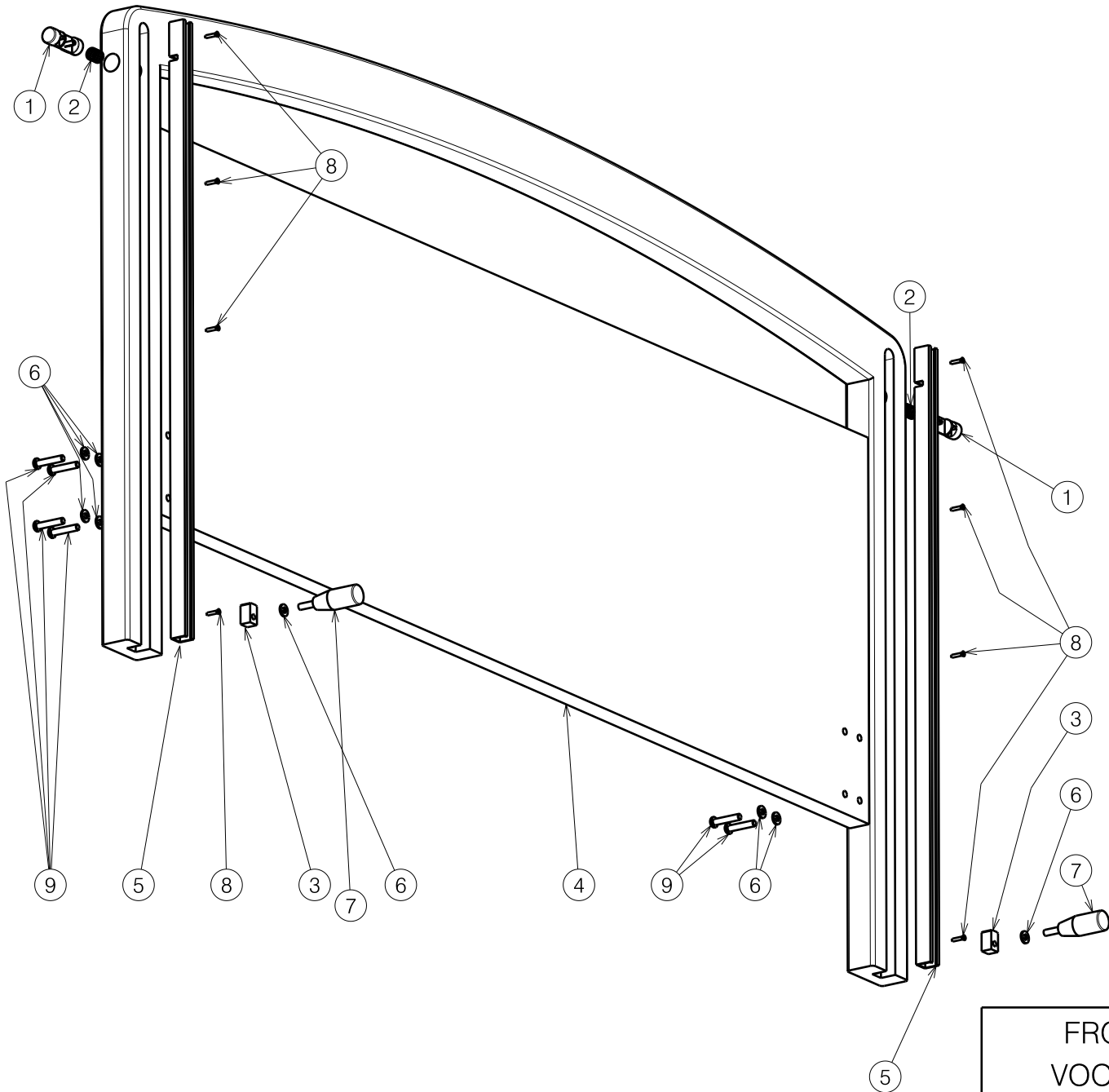


A (1:4)  
(x5)



EP00456 / A

| ONE SIDE PROTECTION CUSHION FOR<br>WOODEN SIDE RAILS |            |            |            | Plan No.  |
|--|------------|------------|------------|---|
|  |            |            |            | EP00456 / A   |
| Scale: 1:12  | Drafted    | Verified   | Confirmed  |  |
| Date   | 25/09/2019 | 25/09/2019 | 25/09/2019 |   |
| Initials   | AZ         | TK         | TK         |   |



| Material / Materiaal |         |                   |                 |
|----------------------|---------|-------------------|-----------------|
| No. / Nr.            | Plan    | Article / Artikel | Number / Aantal |
| 1                    | Y016114 | 1905000           | 2               |
| 2                    | X001497 | 1401900           | 2               |
| 3                    | X002239 | 14946             | 2               |
| 4                    | X004306 | 1903384           | 1               |
| 5                    | Y007458 | 15869             | 2               |
| 6                    | ---     | 1001564           | 10              |
| 7                    | ---     | 1008656           | 2               |
| 8                    | ---     | 1008675           | 8               |
| 9                    | ---     | 1904024           | 8               |

8001312

FRONT AND REAR PANEL 965\_120  
 VOOR- EN ACHTERPANEEL 965\_120

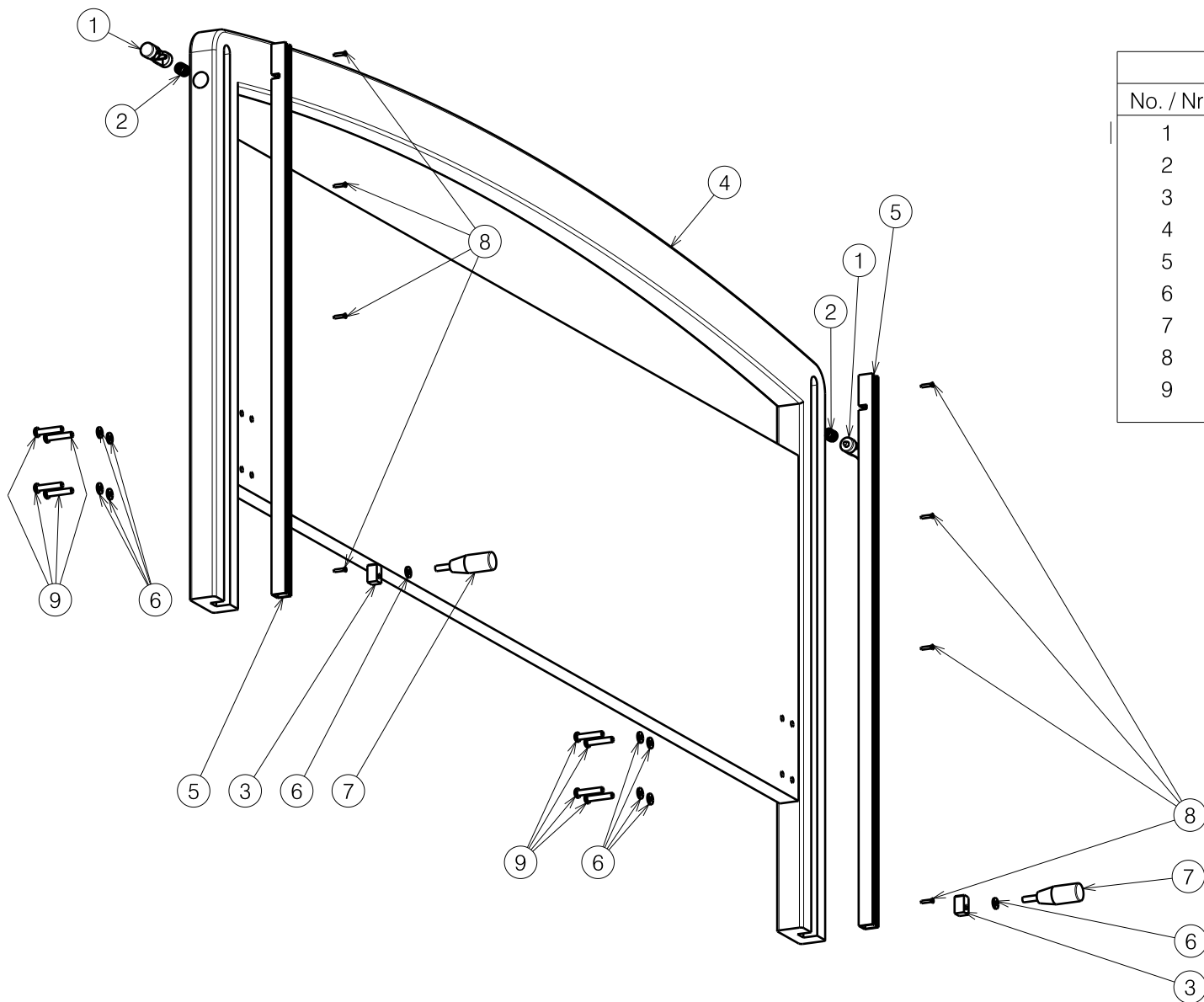
Plan No. / Plannr.

E000508/D

|                     |                    |                     |                       |
|---------------------|--------------------|---------------------|-----------------------|
| Scale / Schaal: 1:6 | Drafted / Getekend | Verified / Nagezien | Confirmed / Bevestigd |
| Date / Datum        | 27/10/2009         | 27/10/2009          | 27/10/2009            |
| Init. / Init.       | TM                 | PJ                  | PJ                    |





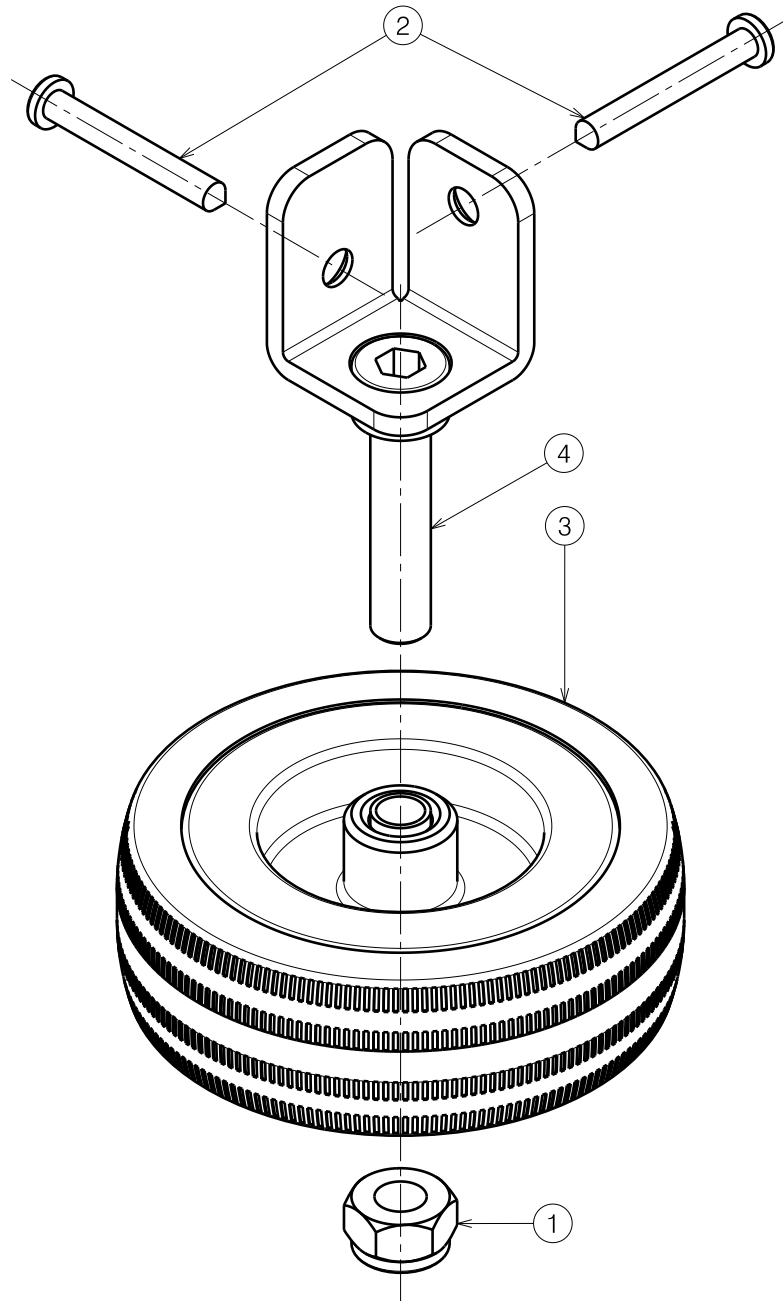


| Material / Materiaal |         |                   |                 |
|----------------------|---------|-------------------|-----------------|
| No. / Nr.            | Plan    | Article / Artikel | Number / Aantal |
| 1                    | Y016114 | 1905000           | 2               |
| 2                    | X001497 | 1401900           | 2               |
| 3                    | X002239 | 14946             | 2               |
| 4                    | X004259 | 1902987           | 1               |
| 5                    | Y007458 | 15869             | 2               |
| 6                    | ---     | 1001564           | 10              |
| 7                    | ---     | 1008656           | 2               |
| 8                    | ---     | 1008675           | 8               |
| 9                    | ---     | 1904024           | 8               |

1904851


|   |                    |                     |                       |
|---|--------------------|---------------------|-----------------------|
| <b>FRONT AND REAR PANEL 965_140</b><br><b>VOOR- EN ACHTERPANEEL 965_140</b> |                    |                     | Plan No. / Plannr.    |
|   |                    |                     | E000504 /D            |
| Scale / Schaal: 1:7   | Drafted / Getekend | Verified / Nagezien | Confirmed / Bevestigd |
| Date / Datum  | 25/09/2008         | 27/10/2009          | 27/10/2009            |
| Init. / Init.   | TM                 | PJ                  | PJ                    |

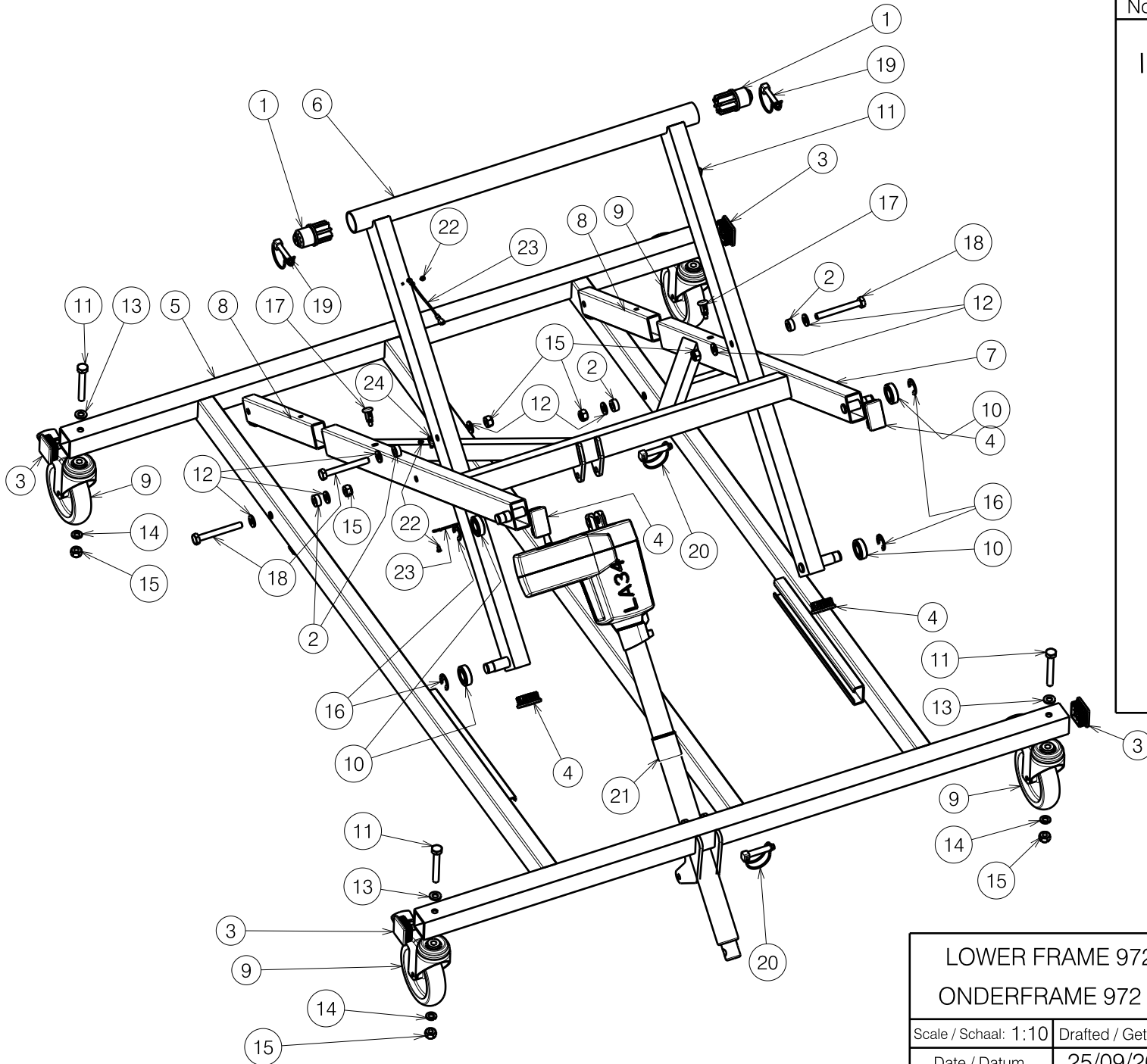




| Material |         |         |          |
|----------|---------|---------|----------|
| No.      | Plan    | Article | Quantity |
| 1        | X001016 | 1001682 | 1        |
| 2        | ---     | 1004286 | 2        |
| 3        | ---     | 1005280 | 1        |
| 4        | Y019434 | 1783837 | 1        |

E000936 / A

| IMPACT WHEEL LUNA<br>STOOTWIEL LUNA |            |            |            | Plan No.  |
|-------------------------------------|------------|------------|------------|---|
|                                     |            |            |            | E000936 / A   |
| Scale: 1:1                          | Drafted    | Verified   | Confirmed  |  |
| Date                                | 03/12/2012 | 03/12/2012 | 03/12/2012 |   |
| Initials                            | TT         | PA         | PJ         |   |

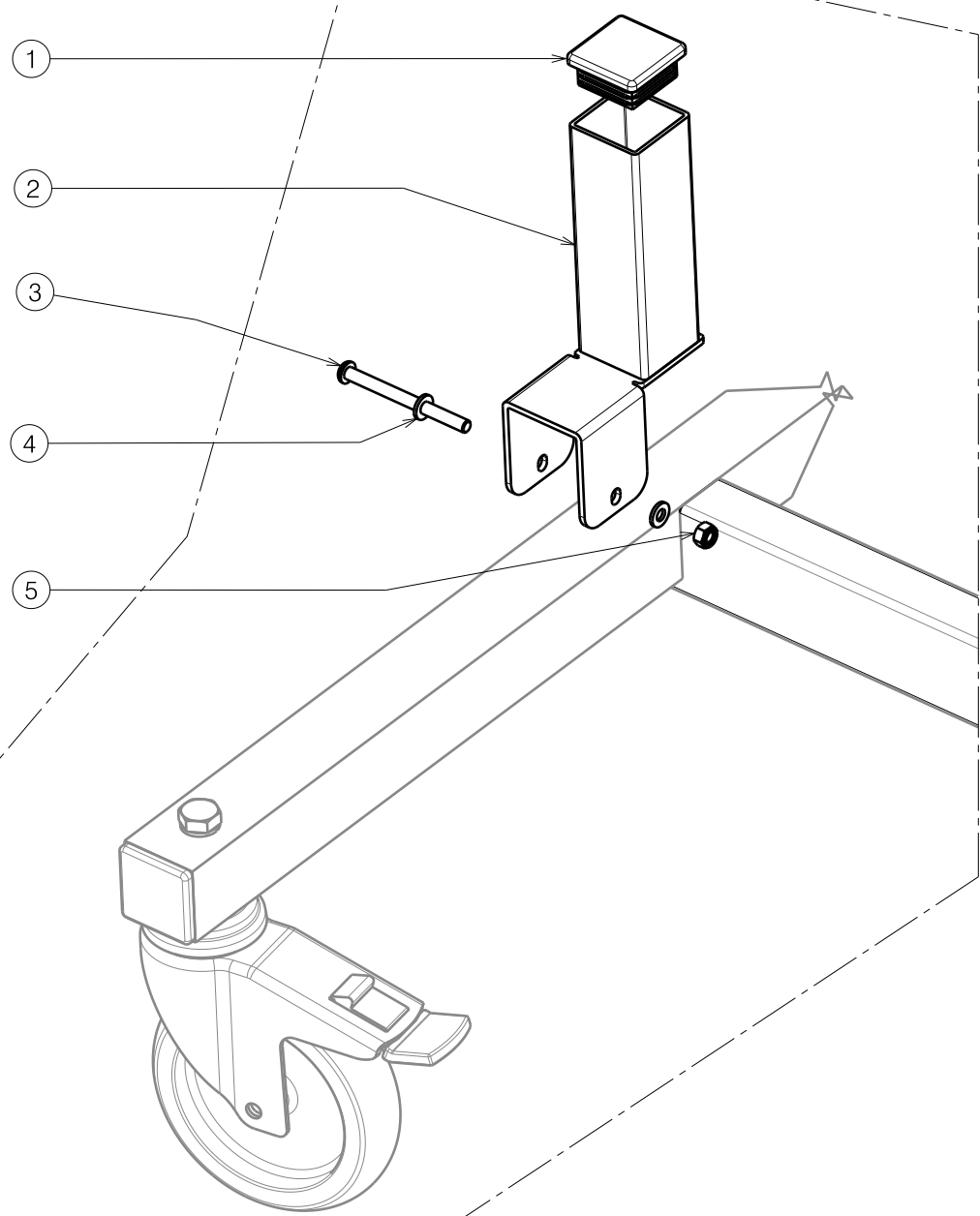


| Material / Materiaal |         |                   |                 |
|----------------------|---------|-------------------|-----------------|
| No. / Nr.            | Plan    | Article / Artikel | Number / Aantal |
| 1                    | X002027 | 1991824           | 2               |
| 2                    | X002029 | 1991841           | 4               |
| 3                    | X002410 | 1993485           | 4               |
| 4                    | Y004215 | F002725           | 4               |
| 5                    | Y014129 | 16982.. (120mm)   | 1               |
|                      | Y017266 | 17536.. (140mm)   | 1               |
| 6                    | Y014140 | 16985..           | 1               |
| 7                    | Y014143 | 16986..           | 1               |
| 8                    | YP00007 | 1800100           | 2               |
| 9                    | ---     | 1001259           | 4               |
| 10                   | ---     | 1001409           | 4               |
| 11                   | ---     | 1001455           | 4               |
| 12                   | ---     | 1001557           | 8               |
| 13                   | ---     | 1001558           | 4               |
| 14                   | ---     | 1001566           | 4               |
| 15                   | ---     | 1001683           | 8               |
| 16                   | ---     | 1003049           | 4               |
| 17                   | ---     | 1009583           | 2               |
| 18                   | ---     | 1992132           | 4               |
| 19                   | ---     | 1993594           | 2               |
| 20                   | ---     | 1998885           | 2               |
| 21                   | ---     | 1903428           | 1               |
| 22                   | ---     | 1001530           | 3               |
| 23                   | ---     | 2990620           | 2               |
| 24                   | ---     | 2990651           | 1               |


8001311

|   |                    |                     |                       |
|---|--------------------|---------------------|-----------------------|
| LOWER FRAME 972 FOR 978/977 R1019 120/140 |                    |                     | Plan No. / Plannr.    |
| ONDERFRAME 972 VOOR 978/977 R1019 120/140 |                    |                     | E000505/E             |
| Scale / Schaal: 1:10                      | Drafted / Getekend | Verified / Nagezien | Confirmed / Bevestigd |
| Date / Datum                              | 25/09/2008         | 21/02/2013          | 21/02/2013            |
| Init. / Init.                             | SV                 | SV                  | PJ                    |

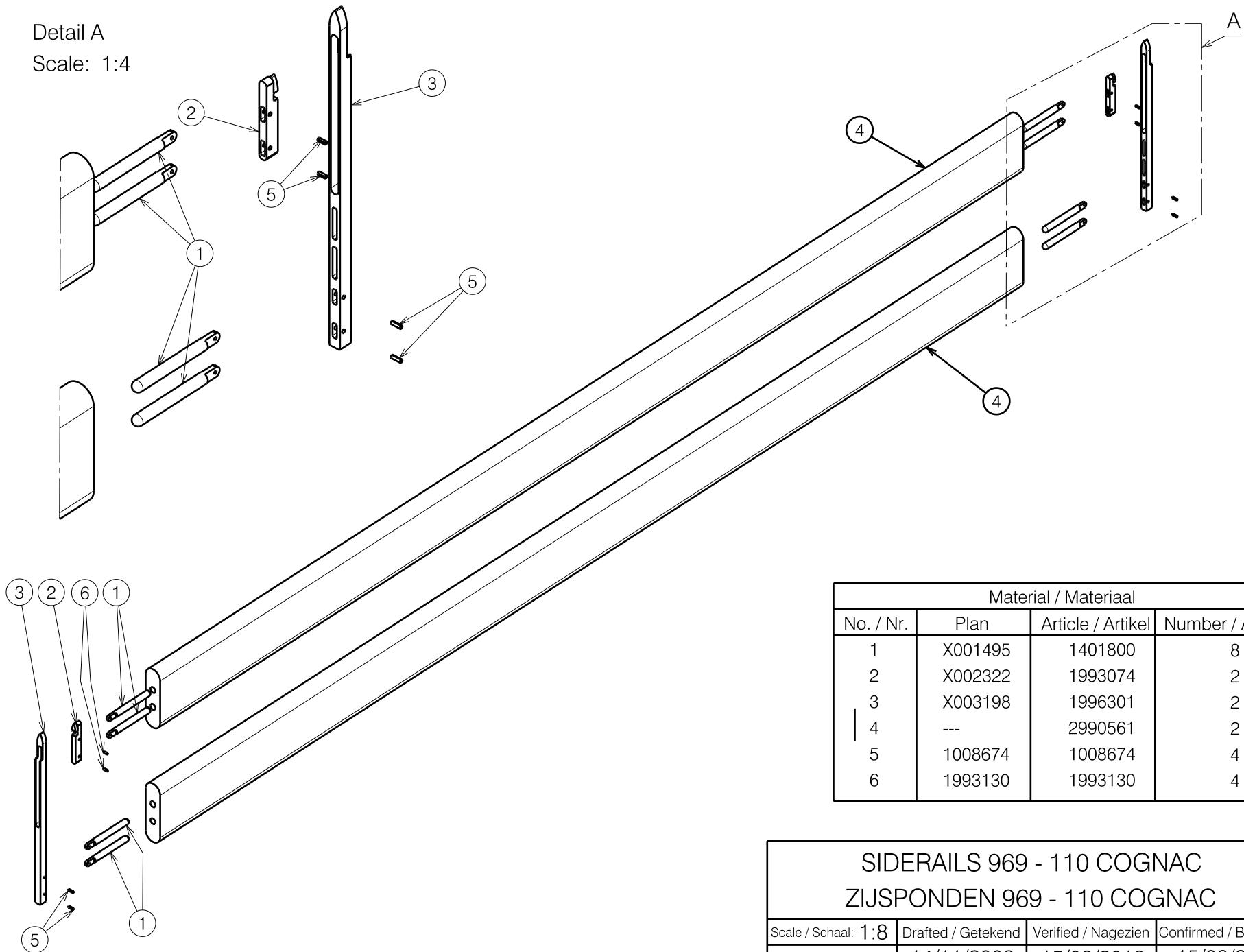




| Material |         |         |          |
|----------|---------|---------|----------|
| No.      | Plan    | Article | Quantity |
| 1        | X002410 | 1993485 | 4        |
| 2        | YP03282 | 2862837 | 4        |
| 3        | M6x70   | 1993891 | 4        |
| 4        | ---     | 1001564 | 8        |
| 5        | ---     | 1001680 | 4        |

|   |            |            |            |   |
|---|------------|------------|------------|---|
| SET SUPPORT FOR BED FRAME   972 120-140 |            |            |            | Plan Number   |
|   |            |            |            | EP00049/A   |
| Scale: 3:10                             | Drafted    | Verified   | Confirmed  |  |
| Date                                    | 02/09/2011 | 02/09/2011 | 02/09/2011 |   |
| Initials                                | BS         | TK         | TK         |   |

Detail A  
Scale: 1:4



| Material / Materiaal |         |                   |                 |
|----------------------|---------|-------------------|-----------------|
| No. / Nr.            | Plan    | Article / Artikel | Number / Aantal |
| 1                    | X001495 | 1401800           | 8               |
| 2                    | X002322 | 1993074           | 2               |
| 3                    | X003198 | 1996301           | 2               |
| 4                    | ---     | 2990561           | 2               |
| 5                    | 1008674 | 1008674           | 4               |
| 6                    | 1993130 | 1993130           | 4               |

8000439

|   |                    |                     |                                 |
|---|--------------------|---------------------|---------------------------------|
| SIDERAILS 969 - 110 COGNAC<br>ZIJSPONDEN 969 - 110 COGNAC |                    |                     | Plan No. / Plannr.<br>E000529/B |
| Scale / Schaal: 1:8                                       | Drafted / Getekend | Verified / Nagezien | Confirmed / Bevestigd           |
| Date / Datum  | 14/11/2008         | 15/03/2018          | 15/03/2018                      |
| Init. / Init.   | TM                 | SD                  | PJ                              |

