

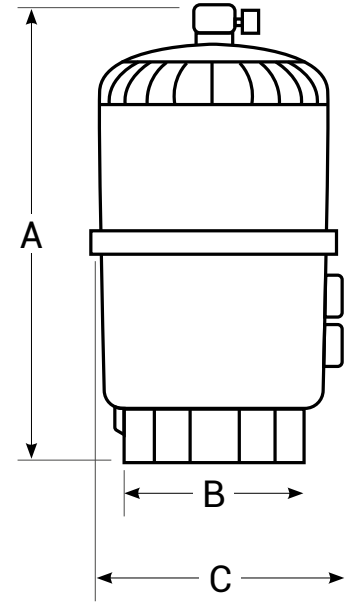
SwimClear™

EXPERT LINE

10 TANK
5 EQUIPMENT

TROUBLE-FREE CRYSTAL-CLEAR WATER

- **Ultra-fine filtration: Twice as efficient as a sand filter. 20 to 25 microns**
- **Very large filtering area**
- **Reduced maintenance:** once a season under normal conditions
- **Small ground footprint**
- **No backwashing:** saves on water, heating and chemicals
- **Can be installed outdoors** thanks to its weather-resistant tank



The Hayward® filter clamp assembly consists of two key components that work together with the clamp



Standardised union fittings are supplied with our pumps



Top manifold configuration provides excellent filtration and hydraulic performance

SWIMCLEAR™

	Effective filtration area	Equivalent flow (sand filter)	In/Out	Weight empty	Dimensions			Item
					A	B	C	
	30 m ²	14 m ³ /h	50 mm	27 kg	880 mm	457 mm	660 mm	C3030EURO
	39 m ²	22 m ³ /h	50 mm	31 kg	1030 mm	457 mm	660 mm	C4030EURO
	49 m ²	30 m ³ /h	50/63 mm	36 kg	1180 mm	457 mm	660 mm	C5030EURO
	63.2 m ²	35 m ³ /h	63 mm	39 kg	1330 mm	457 mm	660 mm	C7030EURO

Allow sufficient height to open the filter (minimum clearance height : 650 mm above the filter).

REPLACEMENT SWIMCLEAR™ CARTRIDGES

Item	Diameter Ø outside	Diameter Ø inside	Hauteur	Quantity required	Item
C3030EURO	177.8 mm	75 mm	493.7 mm	4	CX580XRE
C4030EURO	177.8 mm	75 mm	641.35 mm	4	CX880XRE
C5030EURO	177.8 mm	75 mm	833.4 mm	4	CX1280XRE
C7030EURO	177.8 mm	75 mm	485.8 mm	8	CX591XRE