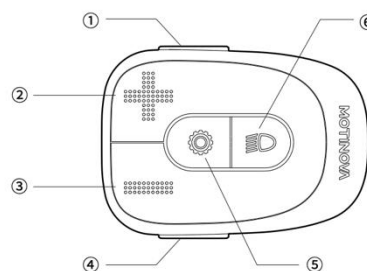


## ■ MOTINOVA DISPLAY

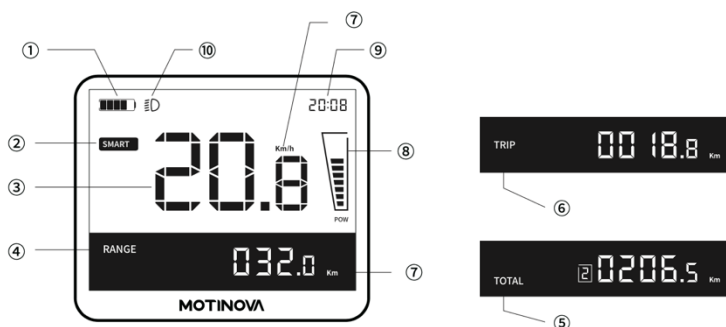
### Control unit

- (1) – On/off button
- (2) – Motor support up (press 2 seconds for automatic switching of support modes)
- (3) – Motor support down
- (4) – Walk assist
- (5) – Menu
- (6) – Lights (press 2 seconds)



### Symbols display

- (1) – Battery capacity
- (2) – Motor support setting
- (3) – Speed indicator
- (4) – Range (not in use)
- (5) – Mileage
- (6) – Trip mode
- (7) – Speed unit
- (8) – Power
- (9) – Time
- (10) - Light indicator



### Time settings

Adjust system time as follows: (bike must be stationary)

1. Long press the "Menu" button more than 1.5s.
2. In setting mode, press "+" or "-" key to select "hour" or "minute". Short press the "Menu" button, the value of "hour" or "minute" flashes. Press "+" or "-" to adjust the value. Short press the "Mode" button to save. After the adjustment is done, press the "Mode" button once, or the "Mode" button longer than 1.5s to save and exit the setting mode.

### Speed display

Speed display adjustment. Two options: km or mile. When the setting changes, the values are automatically adjusted. Operation as follows: (bicycle must be stationary)

1. Long press the "Menu" button more than 1.5s.
2. In the setting mode, press the "+" or "-" button to select the "speed display", then press the "Menu" button to confirm the desired flashing symbol.
3. Short press the "+" or "-" button to adjust the value. Short press the "Mode" button to save. After the adjustment is done, press the "Mode" button once, or hold the "Mode" button longer than for 1.5s to save and exit the setting mode.

## **Reset Trip mode**

The day distance can be deleted, but the total distance cannot.

How to reset:

1. Long press the "Menu" button more than 1.5s.
2. In setting mode, press the "+" or "-" button to select the "day distance", then press the "mode" button to confirm, the day distance will flash.
3. Long press the "-" button for more than 1.5s to clear the value (this action is irreversible). Press the "Mode" button briefly, or press the "Mode" button for longer than 1.5s to save the adjustment and exit the setting mode.