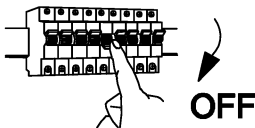
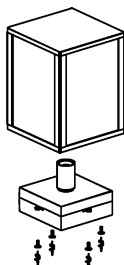
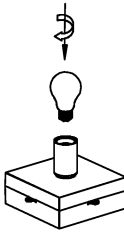
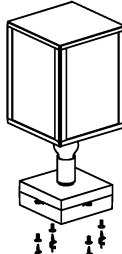
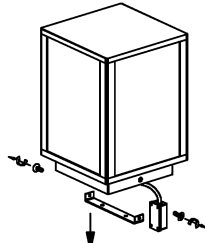
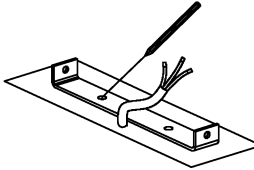
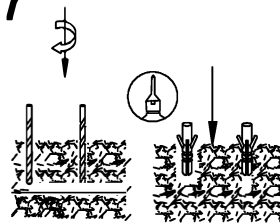
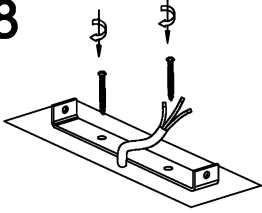
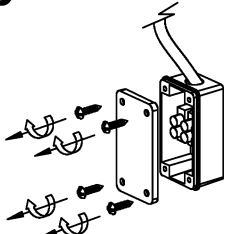
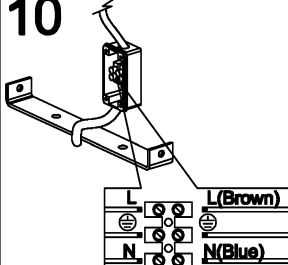
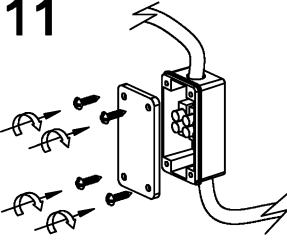
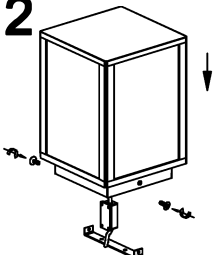
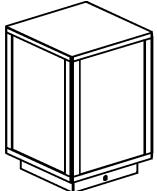



1  OFF	2 	3 
4 	5 	6 
7 	8 	9 
10  L (Brown) N (Blue)	11 	12 
13 	14  ON	15