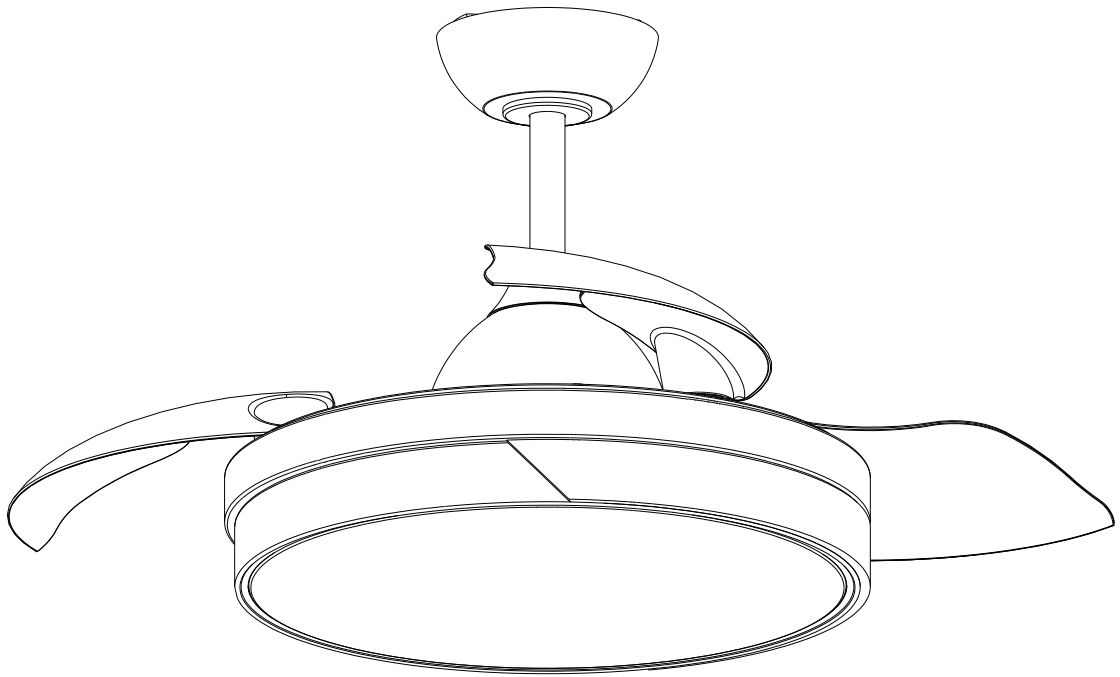


125085



INSTALLATION GUIDE

READ AND SAVE THESE INSTRUCTIONS

Cautions and Warnings

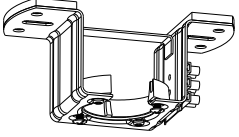
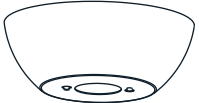

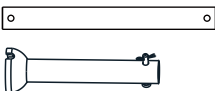

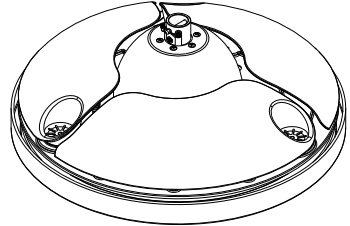
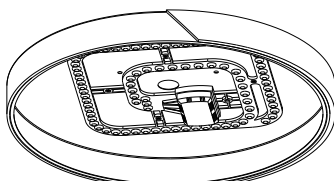
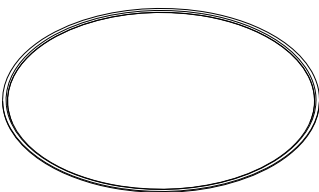
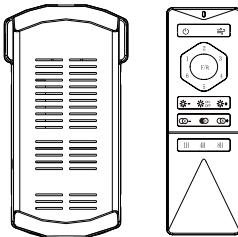
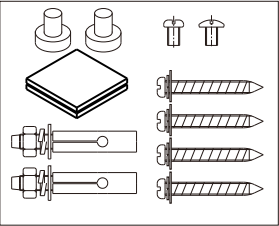
- READ THIS ENTIRE MANUAL CAREFULLY BEFORE BEGINNING INSTALLATION. SAVE THESE INSTRUCTIONS.
- Use only our replacement parts.
- To reduce the risk of personal injury, attach the fan directly to the support structure of the building according to these instructions, and use only the hardware supplied.
- To avoid possible electrical shock, before installing your fan, disconnect the power by turning off the circuit breakers to the outlet box and associated wall switch location. If you cannot lock the circuit breakers in the off position, securely fasten a prominent warning device, such as a tag, to the service panel.
- All wiring must be in accordance with national and local electrical codes. If you are unfamiliar with wiring, use a qualified electrician.

- To reduce the risk of personal injury, do not bend the blade attachment system when installing, balancing, or cleaning the fan. Never insert foreign objects between rotating fan blades.
- To reduce the risk of fire, electrical shock, or motor damage, do not use a solid-state speed control with this fan. Use only our speed controls

NOTE: The important safety precautions and instructions appearing in the manual are not meant to cover all possible conditions and situations that may occur. It must be understood that common sense and caution are necessary factors in the installation and operation of this fan.

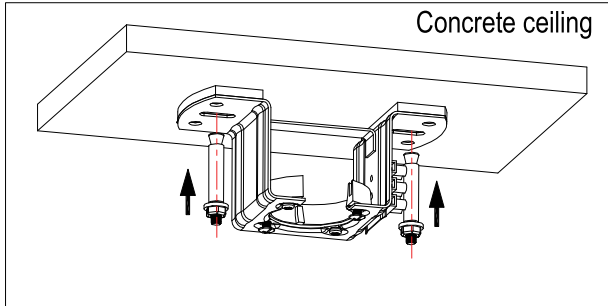
PARTS INVENTORY

Carefully open the packaging. Remove items from Styrofoam inserts. Remove motor housing and place on carpet or Styrofoam to avoid damage to finish. Check against parts inventory that all parts have been included.

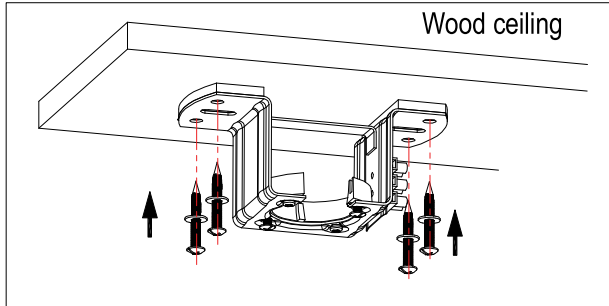
		
Hanger bracket	Canopy	decorative plate
		
Derrick	Coupling Cover	Motor
		
Lamp base	PMMA	Remote control
		

INSTALLING THE HANGER BRACKET

1

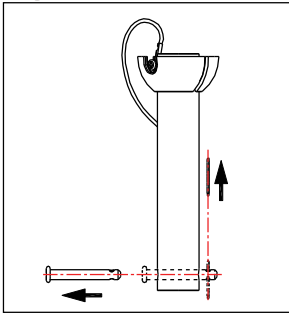


2

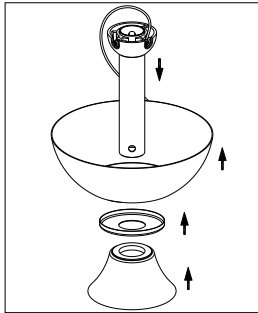


Please drill 8mm hole on the ceiling, and insert the bolt. Align bracket with the hole, then tighten with nut.

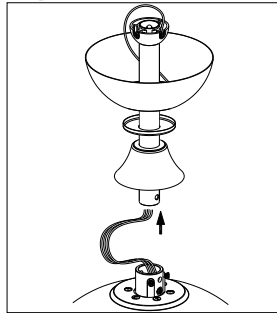
3



4

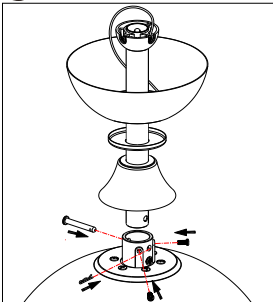


5

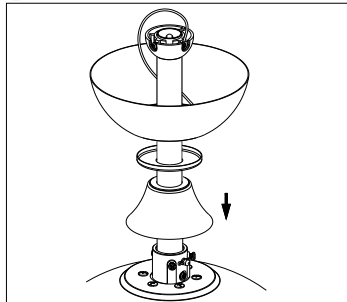


Remove and save the clevis pin and hairpin of the downrod. Put the downrod through the canopy and coupling cover. Thread the electrical wires and the earth wire through the downrod.

6



7

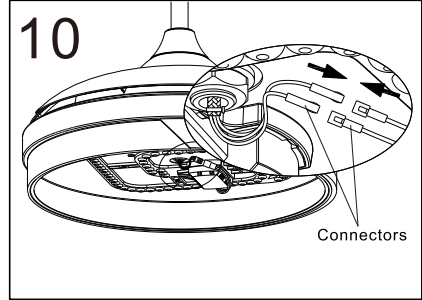
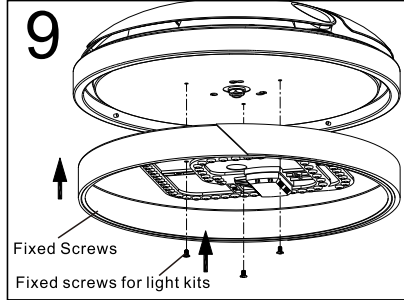
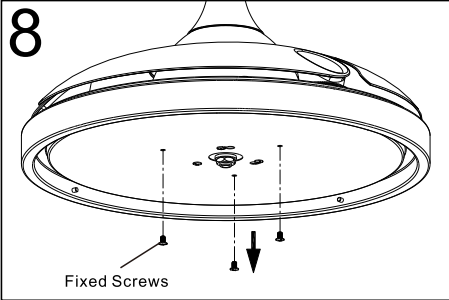


Loosen two set screws on the downrod support and then place the downrod into the downrod support. Align the Clevis Pin holes in the Downrod with the holes in the Downrod support. Be sure to push the straight leg of the Hairpin Clip through the hole near the end of the Clevis Pin until the curved portion of the Hairpin snaps around the Clevis Pin. Finally, re-tighten the two set screws.

WARNING

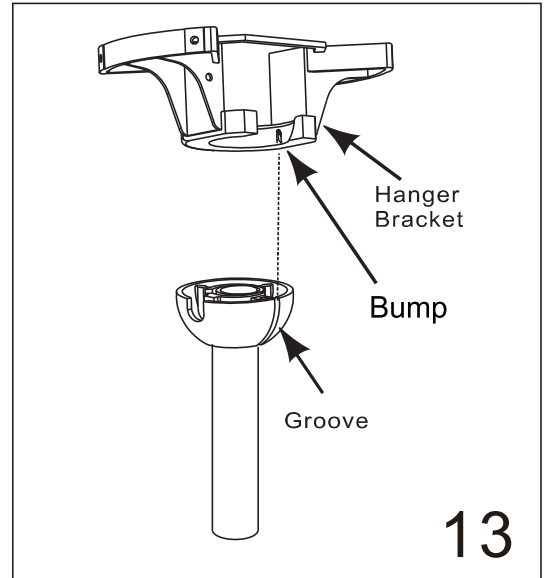
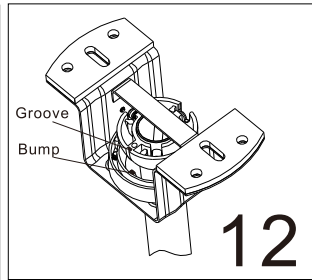
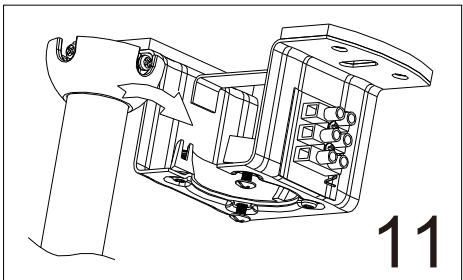
It is critical that the clevis screw in the downrod support is properly installed and the set screws are securely tightened. Failure to verify the clevis screw, hairpin clip and set screws are properly installed could result in the fan falling.

Light kits installation



1. Remove the fixed screws from the fan body, and keep it well (like the picture 8 showed)
2. Fixed the light kits on the fan by the fixed screws (like the picture 9 showed)
3. Connecting the connectors between the fan body and light kits (like the picture 10 showed)

HANGING FAN



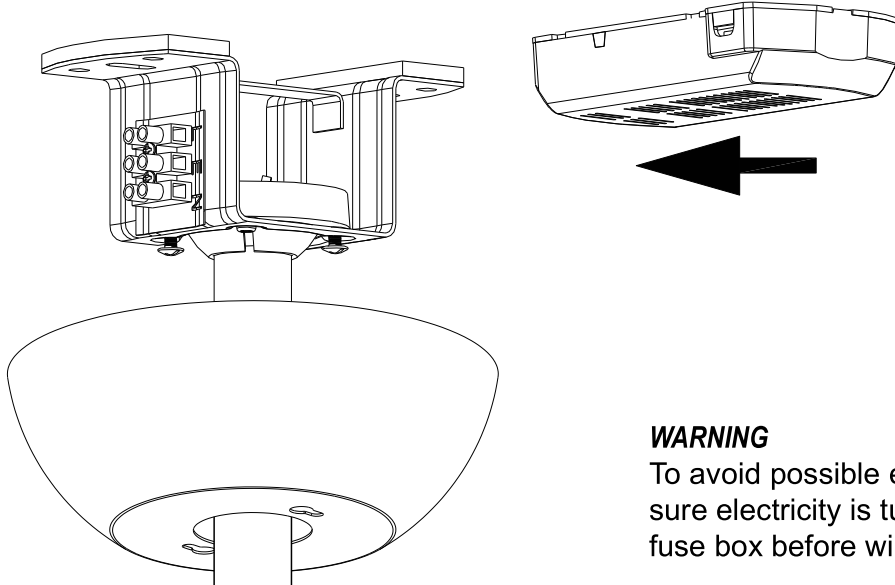
Carefully lift the fan, and set the downrod/ hanger ball assembly on the hanger bracket attached to the ceiling. Be sure the groove in the ball is properly aligned with the tab on the hanger bracket.

WARNING

The fan must be hung with at least 230 cm of clearance from floor to blades.

REMOTE CONTROL CONNECTION

14



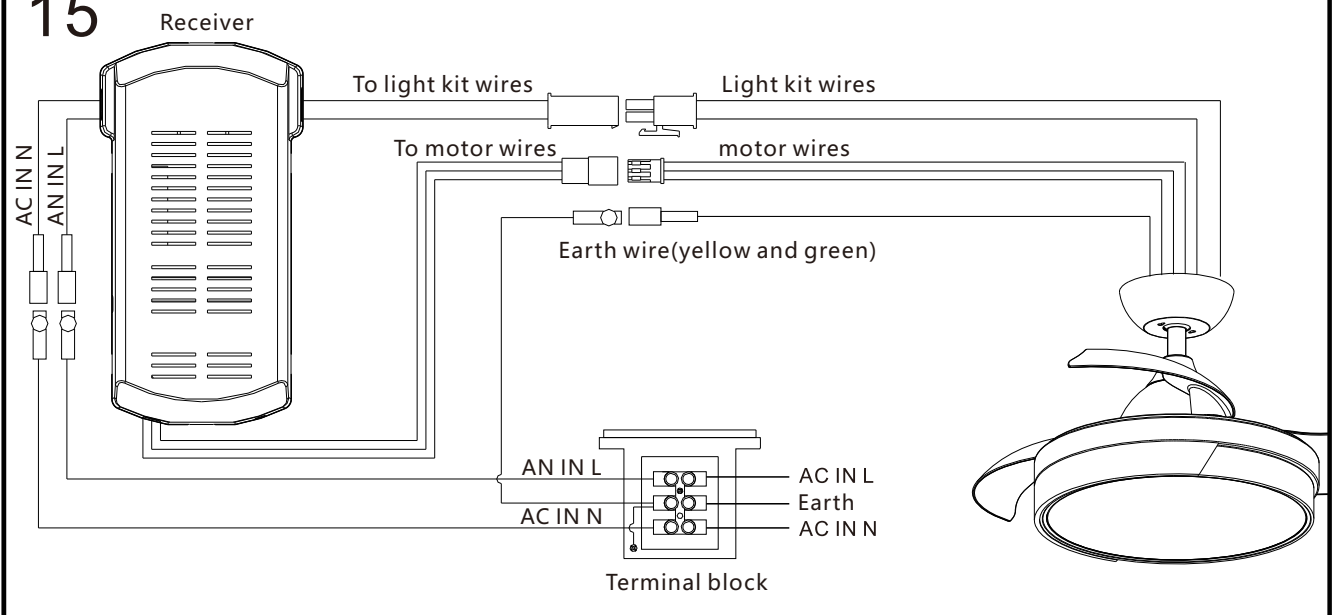
WARNING

To avoid possible electrical shock, be sure electricity is turned off at the main fuse box before wiring

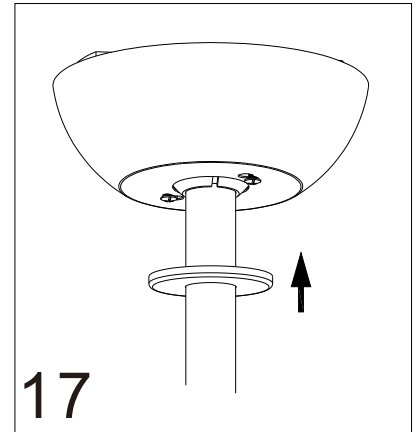
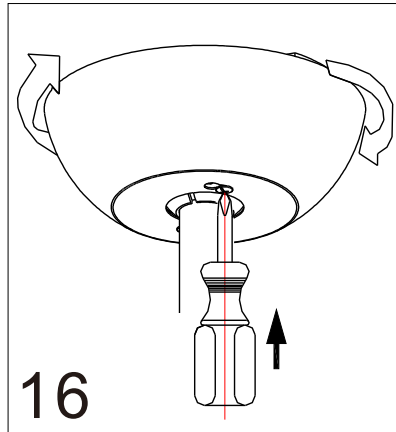
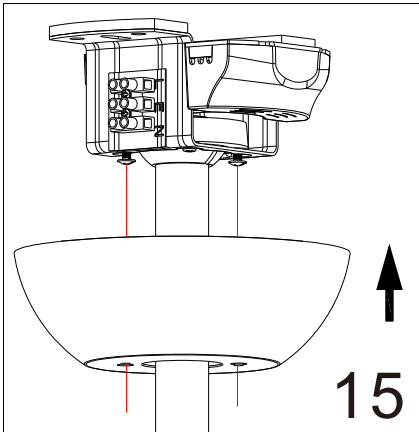
WIRING METHOD OF RECEIVER

Controller wiring Diagram

15

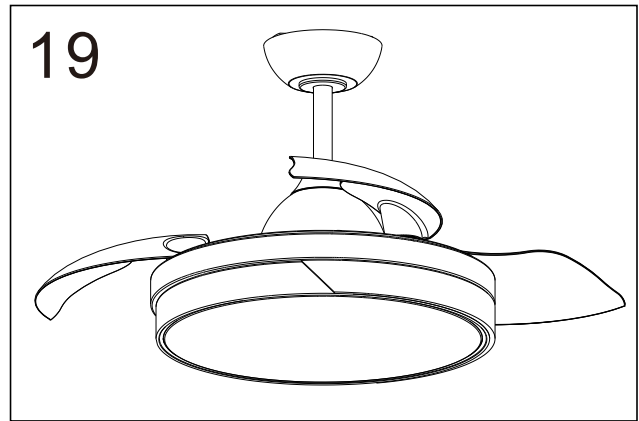
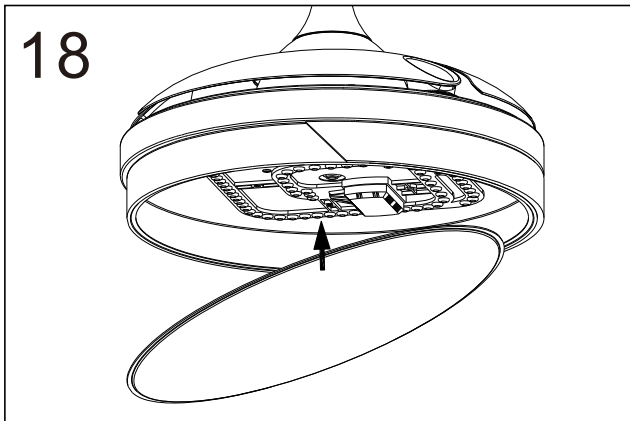


CANOPY/ LAMP SHADE ASSEMBLY



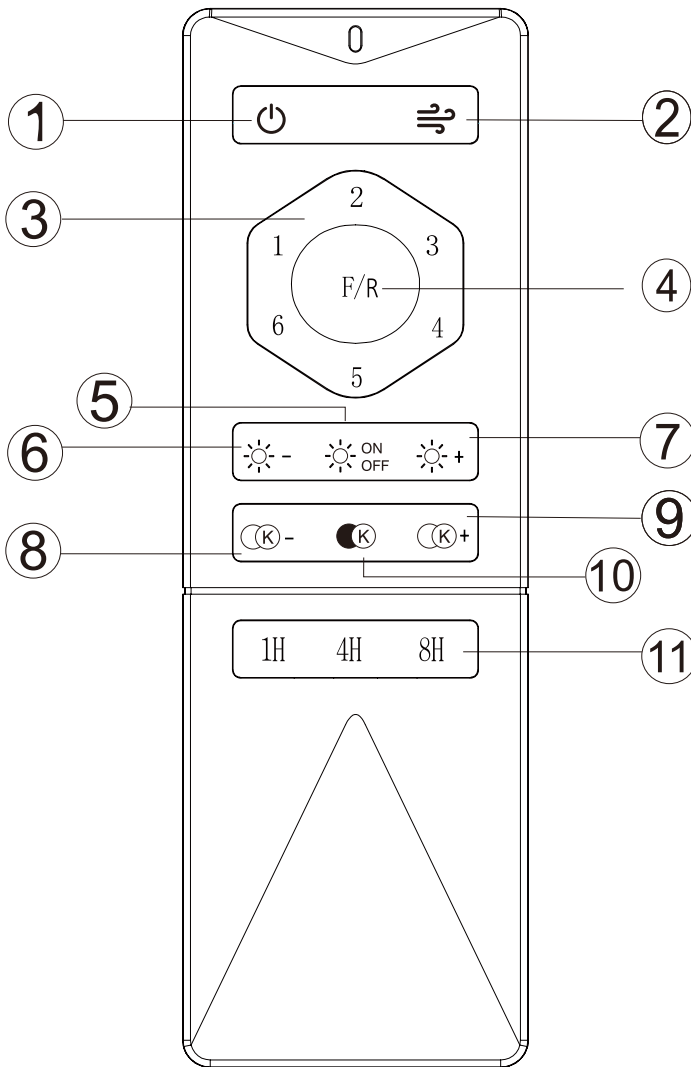
Mount the canopy by
tighten the two screws

Diffuser Installation



- 1.Put the PMMA plate(diffuser) into the lamp(like Picture 20 showed)
- 2.Well done after the installation (Like the picture 21 showed)

REMOTE CONTROL



- ① Fan OFF
 - ② Natural wind
 - ③ Speed of the fan
 - ④ Forward / Reverse
 - ⑤ Light ON / OFF
 - ⑥ Reduce brightness
 - ⑦ Increase brightness
 - ⑧ Lower color temperature
 - ⑨ Raise color temperature
 - ⑩ Change color
 - ⑪ Fan timer
- 2 1,5V AAA battery

FROM THE WALL SWITCH YOU CAN ALSO USE THE LIGHTING FUNCTIONS OF THE "LIGHT ON / OFF" BUTTON.

OPERATING NOTES

- 1.- The first 24 hours after installation, it is normal to notice a slight noise during fan operation. After this adjustment period, the rumour will disappear
- 2.- The light of the fan turned off through the remote control remains in stand-by mode. It will be completely off if power is cut off through the wall switch.

BALANCING FAN / WOBBLING TROUBLE SHOOTING

Please note that all ceiling fans are not the same, even in the same model ! some may move more or less than others. Movement of a couple of centimeters is quite acceptable and does not suggest the fan will fall down.

Even though all blades are weighted and grouped by weight, it is impossible to eliminate wobble altogether. This should not be considered a fault. Ceiling fans tend to move during operation due to the fact that they are not generally rigidly mounted.

TRY THE FOLLOWING TO REDUCE A WOBBLING FAN

1. Check that all of the blade mounting screws are tightened and secure.
2. Wobbling problems may result from inconsistent blade level. To check the blade level, measure the distance from each blade tip to the ceiling.
Note: if measurements are inconsistent:
 - Be sure the blade mount screws are not too tight or too loose, which may cause wobbling due to an uneven blade tip.
 - An out of shape blade can cause wobbling. Check by removing the blade and placing on a flat surface.
3. Blade tracking may be checked simply by use of a household ruler. Place the ruler vertically against the ceiling and even with the outside leading edge of blade. Note the distance of the edge of blade compared to the others. Turn the blade slowly by hand to check the remaining blades.
If a blade is not in alignment, the blade is either out of shape, warped or the blade screws are not evenly tighten or either loose.

BALANCING KIT

A balancing kit has been provided to assist with reducing a wobble. Please retain the kit as it may become useful should the fan develop a wobble in the future. Instructions on how to use the balancing kit can be found within the kit.

MAINTENANCE

1. Periodic cleaning of your new ceiling fan is the only maintenance that is needed
2. When cleaning, use only a soft brush or lint free cloth to avoid scratching the finish.
3. Abrasive cleaning agents are not required and should be avoided to prevent damage to finish.

RECOMMENDED:

Periodically check that the blade sets to the fan motor setscrews are secure and tight.



WARNING

Do not use solvents when cleaning your ceiling fan. It could damage the motor and create the possibility of electrical shock.