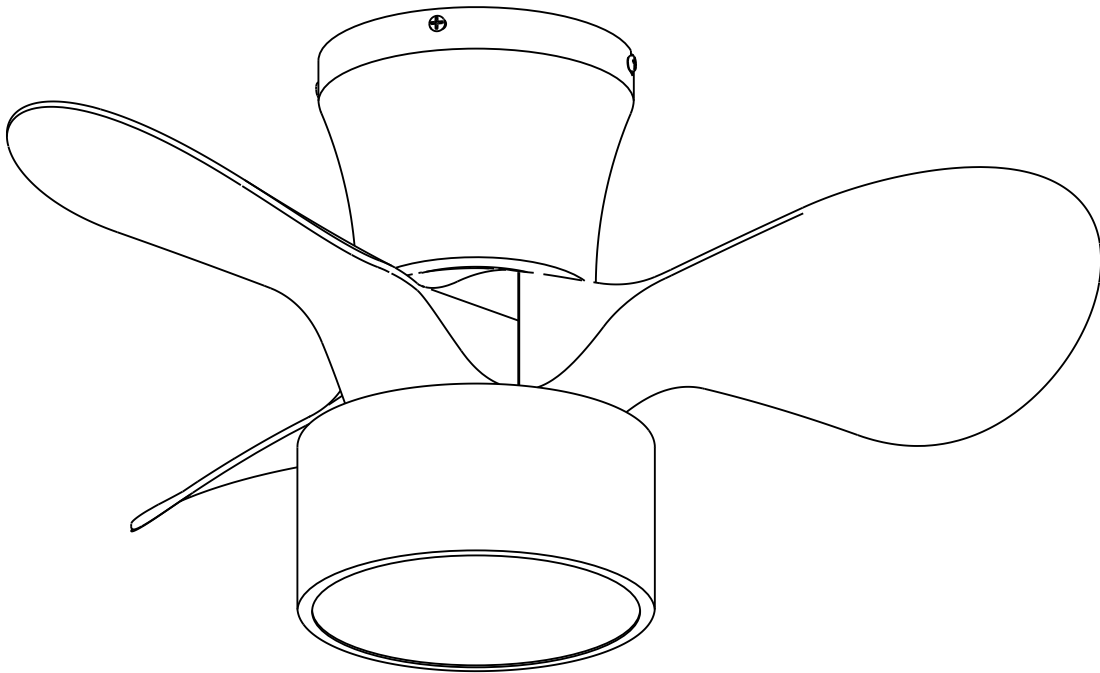


125091
125092



INSTALLATION GUIDE
READ AND SAVE THESE INSTRUCTIONS

Cautions and Warnings

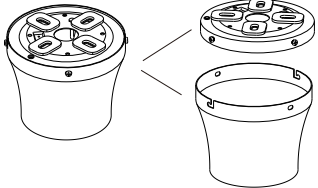
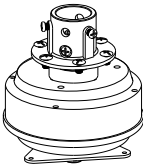
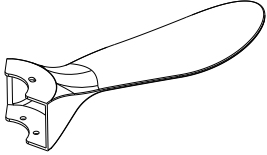
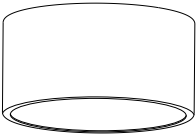
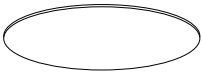
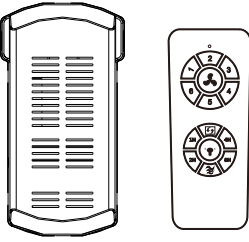
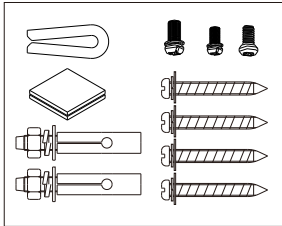
- READ THIS ENTIRE MANUAL CAREFULLY BEFORE BEGINNING INSTALLATION. SAVE THESE INSTRUCTIONS.
- Use only our replacement parts.
- To reduce the risk of personal injury, attach the fan directly to the support structure of the building according to these instructions, and use only the hardware supplied.
- To avoid possible electrical shock, before installing your fan, disconnect the power by turning off the circuit breakers to the outlet box and associated wall switch location. If you cannot lock the circuit breakers in the off position, securely fasten a prominent warning device, such as a tag, to the service panel.
- All wiring must be in accordance with national and local electrical codes. If you are unfamiliar with wiring, use a qualified electrician.

- To reduce the risk of personal injury, do not bend the blade attachment system when installing, balancing, or cleaning the fan. Never insert foreign objects between rotating fan blades.
- To reduce the risk of fire, electrical shock, or motor damage, do not use a solid-state speed control with this fan. Use only our speed controls

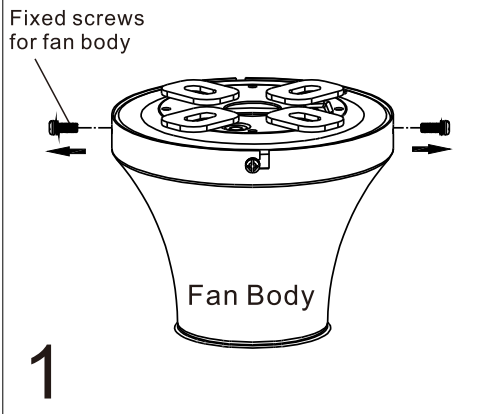
NOTE: The important safety precautions and instructions appearing in the manual are not meant to cover all possible conditions and situations that may occur. It must be understood that common sense and caution are necessary factors in the installation and operation of this fan.

PARTS INVENTORY

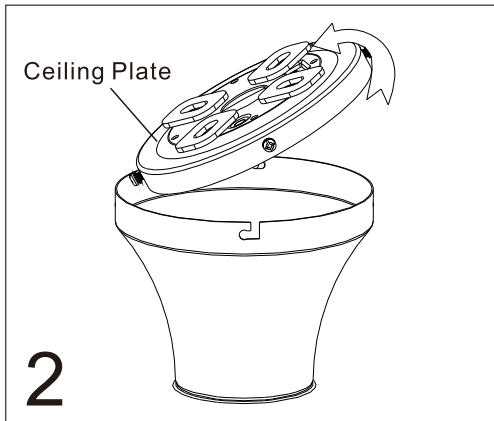
Carefully open the packaging. Remove items from Styrofoam inserts. Remove motor housing and place on carpet or Styrofoam to avoid damage to finish. Check against parts inventory that all parts have been included.

		
Canopy	Motor	Blade
		
Lamp sets	PMMA	Remote control
		
Accessories bag		

INSTALLING THE HANGER BRACKET

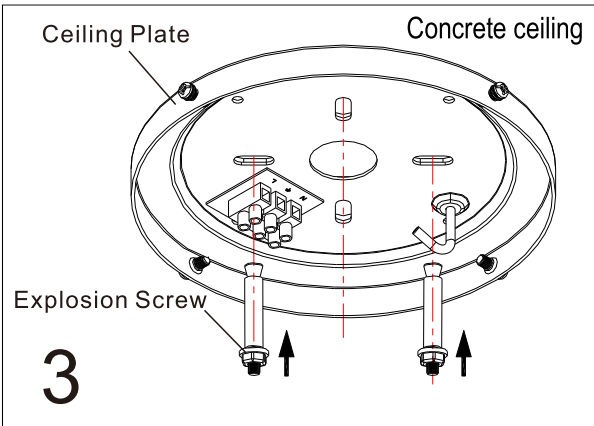


1

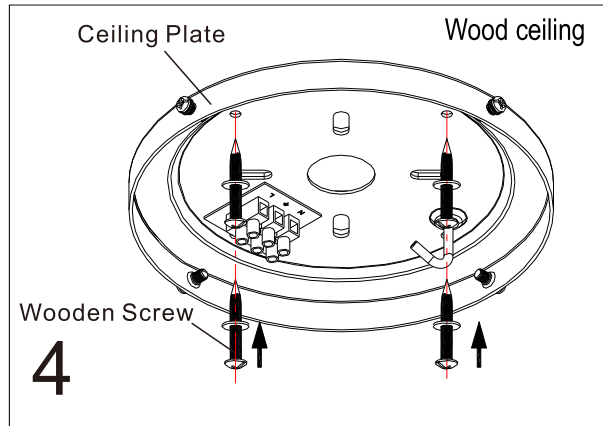


2

1. Remove the fixed screws and keep it well
2. Take out the ceiling plate

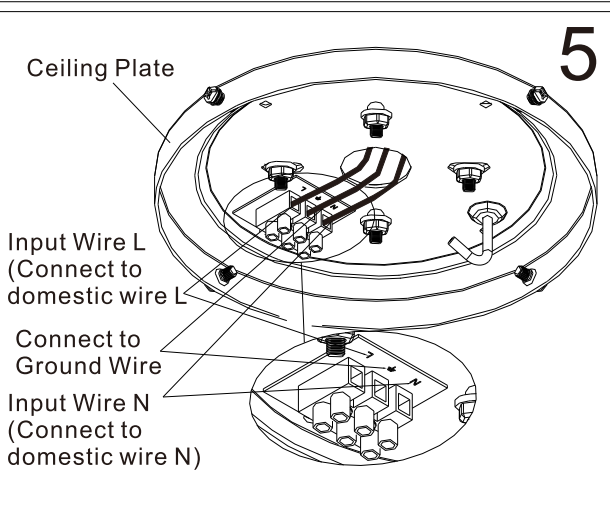


3



4

Please drill 8mm hole on the ceiling, and insert the bolt. Align bracket with the hole, then tightten with nut.



5

Connect the domestic live wire to the terminal L, null wire to the terminal N, earth wire to the terminal earth position

Blades Installation

6

Fixed screws for blades

7

Fixed screws for blades

Blades

Fixed screws for blades

1. Remove the screws and keep it well
2. Locked the blades on the fan body by the fixed screws

Installation of Lamp

8

Fixed screws

9

LED plate

Fixed screws

10

1. Remove the screws and keep it well
2. Locked the LED plate on the fan body by the fixed screws
3. After the LED plate installed, connect the connectors for input wire of light kits

Install Canopy

11

Fixed screws for canopy

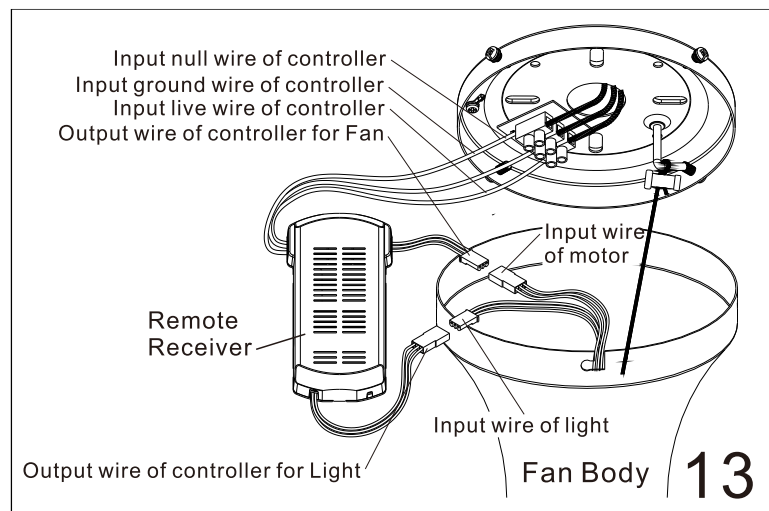
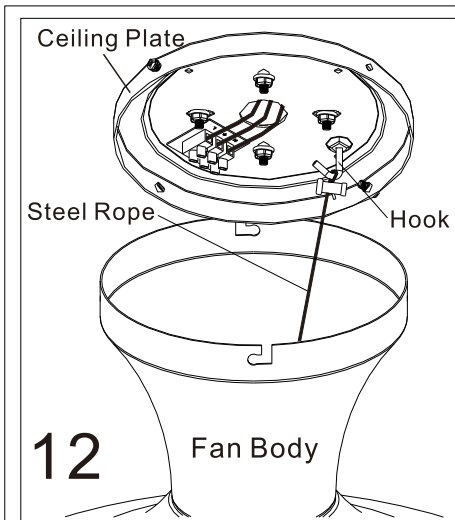
Steel Rope

Connectors

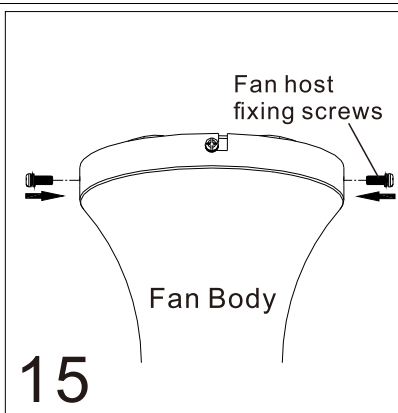
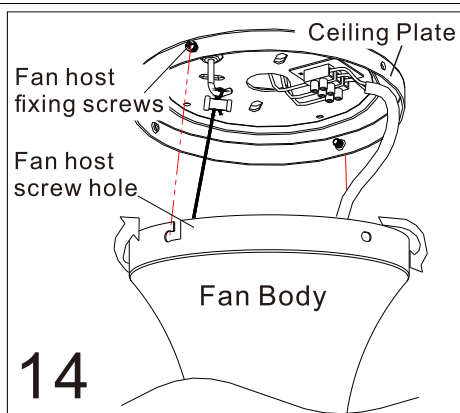
Ceiling Canopy

Fixed the canopy and steel cable to the connector by the screws, like the right picture showed

Installation of fan body



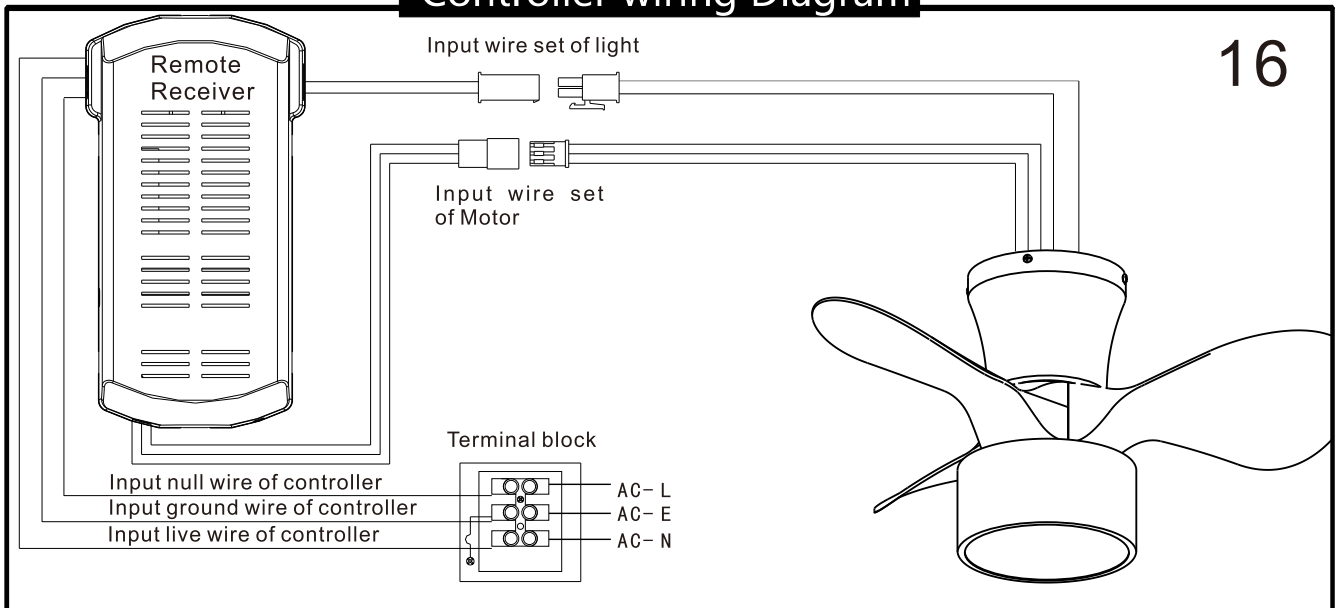
1. Suspend the fan body to the hook by the steel cable (picture-6 showing)
2. Connect the input null line of controller to terminal N;
 Connect the input ground line of controller to terminal E;
 Connect the input live line of controller to terminal L;
 Plug in the output cable of fan motor and input cable of fan body.
 Plug in the output cable of light and input cable of fan body (picture-7 showing)



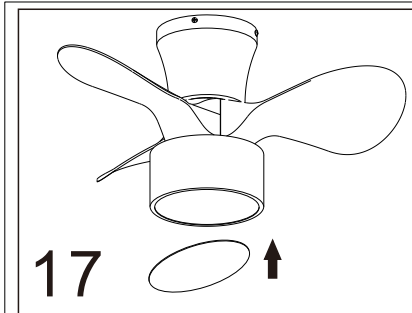
1. Align the screw holes between the fan body and ceiling plate, then rotate and fix the fan body to the ceiling plate. Then fix both parts by screws (picture-9 showed)
2. Locked other two sides by screws (picture-10 showed)

WIRING METHOD OF RECEIVER

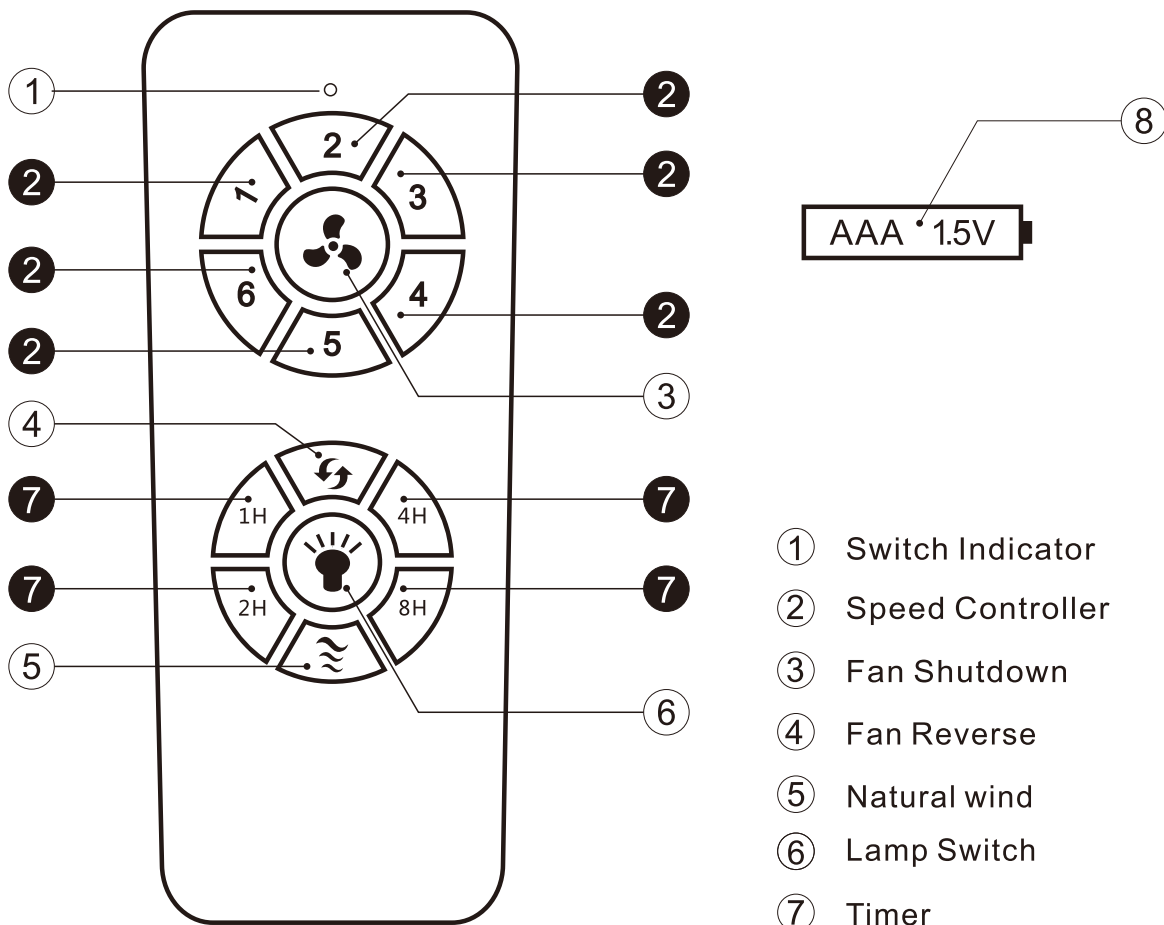
Controller wiring Diagram



Diffuser Installation



1, put the diffuser into the plate, then rotate it clockwise ockwise (like picture 14 showed)



Actual use shall be subject to the real product

- ① Switch Indicator
- ② Speed Controller
- ③ Fan Shutdown
- ④ Fan Reverse
- ⑤ Natural wind
- ⑥ Lamp Switch
- ⑦ Timer
- ⑧ Battery For Switch AAA (1.5V)

Learning method of remote control;

Power on the receiver, press the  key at the emitter at once. The learning is succeed ,when hear doule beep ringing from the loudspeaker.

- RF wireless digital transmission technology is adopted to realize the one-to-one control providing a rate of coincident code less than 1/50000. Same code number is attached to the back of the emitter and the receiver, it is required to return a pair of the same code number of emitter /receiver to the manufacturer for repair service in case of any damage
- In a sufficient space, you can use the receiver at any angle, no worry about the direction.

Notices

1. When the emitter is unable to remotely control the receiver, please check whether the switch batteries are in good contact, whether they are fixed properly and whether they run out of use.
2. When the emitter is unable to remotely control the receiver, please check whether there is other remote control products around the space and check whether the keys are pressed down, because same nature of remote control product may cause interference with each other resulting in poor receiving effect, Taking away such articles will normalize the remote control function. (the infrared remote controller is not included).
3. Please use this product under applicable voltage. Too low voltage will lead to failure of the remote controller to work (Please refer to the product label for the voltage range and related parameters)
4. Please take out the batteries if you will not use this product for a long time.

BALANCING FAN / WOBBLING TROUBLE SHOOTING

Please note that all ceiling fans are not the same, even in the same model ! some may move more or less than others. Movement of a couple of centimeters is quite acceptable and does not suggest the fan will fall down.

Even though all blades are weighted and grouped by weight, it is impossible to eliminate wobble altogether. This should not be considered a fault. Ceiling fans tend to move during operation due to the fact that they are not generally rigidly mounted.

TRY THE FOLLOWING TO REDUCE A WOBBLING FAN

1. Check that all of the blade mounting screws are tightened and secure.
2. Wobbling problems may result from inconsistent blade level. To check the blade level, measure the distance from each blade tip to the ceiling.
Note: if measurements are inconsistent:
 - Be sure the blade mount screws are not too tight or too loose, which may cause wobbling due to an uneven blade tip.
 - An out of shape blade can cause wobbling. Check by removing the blade and placing on a flat surface.
3. Blade tracking may be checked simply by use of a household ruler. Place the ruler vertically against the ceiling and even with the outside leading edge of blade. Note the distance of the edge of blade compared to the others. Turn the blade slowly by hand to check the remaining blades.
If a blade is not in alignment, the blade is either out of shape, warped or the blade screws are not evenly tighten or either loose.

BALANCING KIT

A balancing kit has been provided to assist with reducing a wobble. Please retain the kit as it may become useful should the fan develop a wobble in the future. Instructions on how to use the balancing kit can be found within the kit.

MAINTENANCE

1. Periodic cleaning of your new ceiling fan is the only maintenance that is needed
2. When cleaning, use only a soft brush or lint free cloth to avoid scratching the finish.
3. Abrasive cleaning agents are not required and should be avoided to prevent damage to finish.

RECOMMENDED:

Periodically check that the blade sets to the fan motor setscrews are secure and tight.



WARNING

Do not use solvents when cleaning your ceiling fan. It could damage the motor and create the possibility of electrical shock.